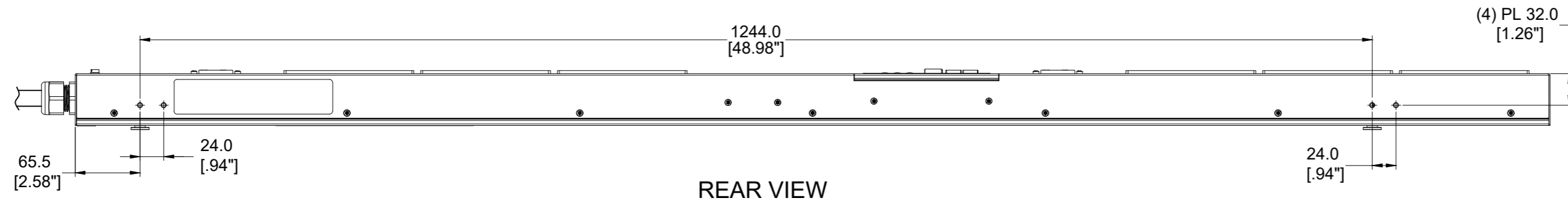
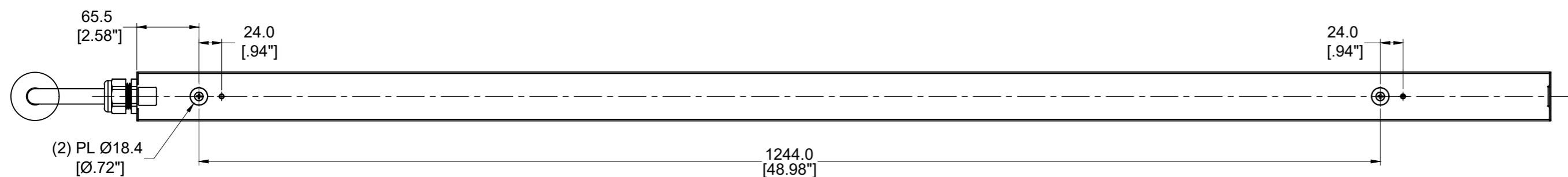


THIS COPY IS PROVIDED ON A RESTRICTED BASIS AND IS NOT TO BE USED IN ANY WAY DETRIMENTAL TO THE INTERESTS OF PANDUIT CORP.

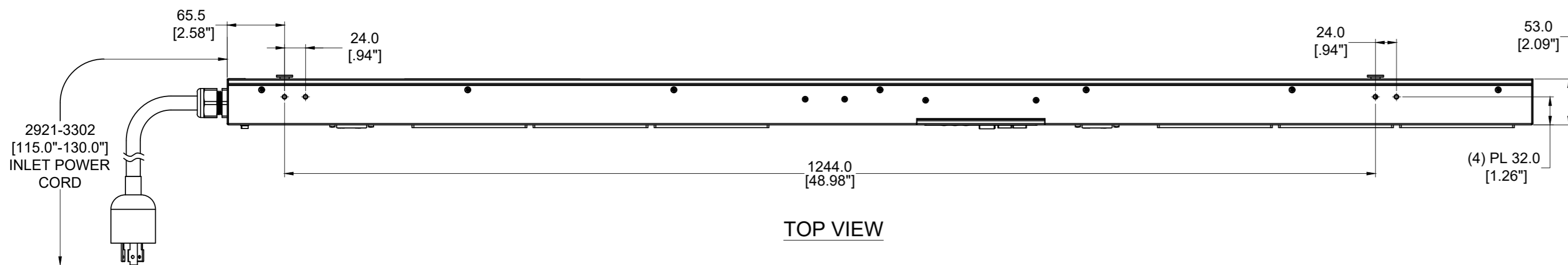
PANDUIT P/N	WEIGHT
P24D23G	SEE SHEET 2



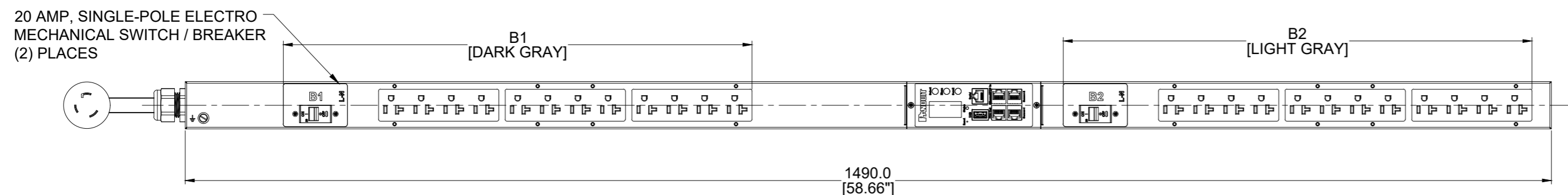
REAR VIEW



REAR VIEW



TOP VIEW



FRONT VIEW

SPECIFICATION:

1. STANDARD

UNIT TYPE:	SEE SHEET 2
ORIENTATION:	VERTICAL, MID
OUTLET QTY & TYPE:	(24) 5-20R
INPUT VOLTAGE:	100-120VAC
INPUT CURRENT:	30A (24A DERATED)
BREAKER QTY & TYPE:	(2) 20AMP, SINGLE-POLE
INPUT PHASE:	SINGLE-PHASE
RATED POWER:	2.9 kVA
INPUT PLUG:	NEMA L5-30P
INPUT POWER CORD:	3m [10'], TOP FEED
REGULATORY STANDARD:	RoHS COMPLIANT

2. ADDITIONAL:

THE G6 CONTROLLER IS NOT BACKWARDS COMPATIBLE WITH ANY LEGACY CONTROLLERS

3. ACCESSORIES:

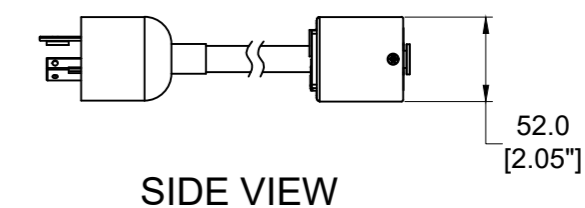
- DOCUMENTATION KIT
- PRODUCT SAFETY WARNING SHEET

NOTE:

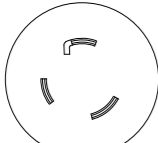
- PRIMARY DIMENSIONS ARE IN MILLIMETERS. SECONDARY DIMENSION ARE IN INCHES
- INSTALLATION SHALL COMPLY WITH ALL APPLICABLE NATIONAL, STATE, AND LOCAL CODES
- VISIT OUR ON-LINE CATALOG AT WWW.PANDUIT.COM FOR A CURRENT LIST OF PRODUCTS APPLICABLE FOR USE WITH THIS PART
- FOR FULL PRODUCT FUNCTIONALITY REFER TO USER MANUAL
- PARTS USING UPGRADABLE IPDU BLANKING PANEL CAN BE UPGRADED TO INTELLIGENT MODELS USING PANDUIT CONTROLLER PART NUMBER MA002

IDENTIFICATION

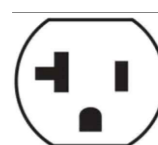
FOR FINISHED GOOD PART NUMBER & DESCRIPTION TABLE SEE SHEET 2 CONFIGURABLE PART NUMBERS: **P24D23G**



SIDE VIEW



PLUG
NEMA L5 - 30P, 2P 3W
30A, 125V MAX RATED INPUT
24A DERATED



TWENTY-FOUR(24)
RECEPTACLES
NEMA 5 - 20R
16A, 125V MAX RATED OUTPUT

REV	DATE	BY	CHK	APR	DESCRIPTION	ECN
00A	08/30/2023	LWB	CSH	MJD	INITIAL RELEASE	P24D23G

WE ASK THAT YOU CHECK FULLY THE DIMENSIONS, NOTES, AND SIGN THE CLIENT SIGNATURE BOX. THE JOB WILL NOT PROGRESS WITHOUT SIGNED APPROVAL. PLEASE DO NOT DELAY IN RETURNING PROOF AS IT WILL AFFECT DELIVERY.		SIGN DATE PRINT
INTELLIGENT SERIES PDU P24D23G <small>CUSTOMER DRAWING</small>		
ITEM REVISION NAME DATASHEET FILE NAME:		PANDUIT
UNLESS OTHERWISE SPECIFIED DIMENSIONAL TOLERANCE ARE: mm [IN]		
Tolerance(mm) 0<=50 ±0.5 50<=250 ±1.0 250<=500 ±1.5 500<=1000 ±2.5 1000<=2000 ±4.0		MATERIAL/COLOR: N/A
DRAWN BY: LWB DATE: 08/30/2023 CHK: SEAN SCALE: NONE		DRAWING NUMBER: P24D23G_DC
SHT 1 OF 2		SCALE B

2



1

THIS COPY IS PROVIDED ON A RESTRICTED BASIS AND IS NOT TO BE USED IN ANY WAY DETRIMENTAL TO THE INTERESTS OF PANDUIT CORP.

B

B

MAIN PDU CONFIGURATIONS		
FINISHED GOOD PART NUMBER	FINISHED GOOD DESCRIPTION	WEIGHT
P24D23G	G6 MSPO PDU, 30AMP, (24)5-20R, NEMA L5-30P-3M, TOP FED, BLACK	10.9kg



A

A

REV	DATE	BY	CHK	APR	DESCRIPTION	ECN
00A	08/30/2023	LWB	CSH	MJD	INITIAL RELEASE	P24D23G

WE ASK THAT YOU CHECK FULLY THE DIMENSIONS, NOTES, AND SIGN THE CLIENT SIGNATURE BOX. THE JOB WILL NOT PROGRESS WITHOUT SIGNED APPROVAL. PLEASE DO NOT DELAY IN RETURNING PROOF AS IT WILL AFFECT DELIVERY		SIGN
		DATE
		PRINT
TITLE INTELLIGENT SERIES PDU P24D23G CUSTOMER DRAWING		
ITEM REVISION NAME		PANDUIT
DATASHEET FILE NAME:		
UNLESS OTHERWISE SPECIFIED DIMENSIONAL TOLERANCE ARE: mm [IN]		MATERIAL/COLOR: N/A
THIRD ANGLE PROJECTION Tolerance(mm) 0<L<50 ±0.5 50<L<250 ±1.0 250<L<500 ±1.5 500<L<1000 ±2.5 1000<L<2000 ±4.0		DRAWING NUMBER: P24D23G_DC
DRAWN BY	DATE	SCALE
LWB	08/30/2023	NONE
CHK	SEAN	
SHT 2 OF 2		SCALE B

2



1