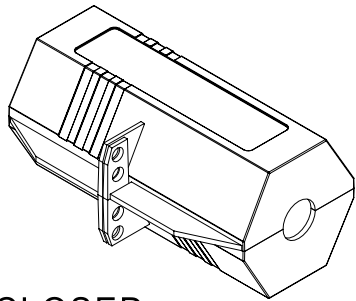
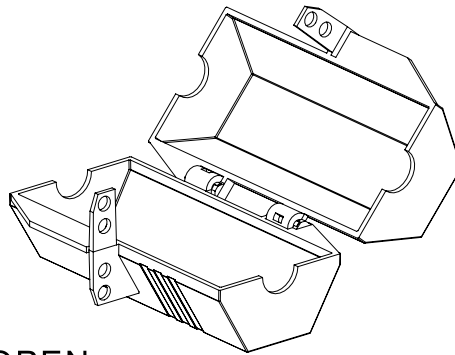


THIS COPY IS PROVIDED ON A RESTRICTED BASIS AND IS NOT TO BE USED IN ANY WAY DETRIMENTAL TO THE INTERESTS OF PANDUIT CORP.

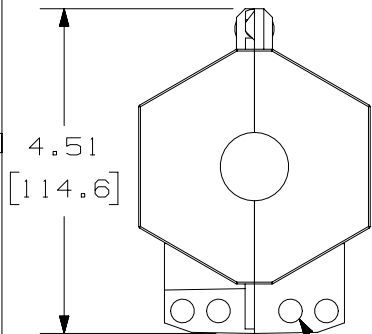
PART NUMBER	INSIDE DIMENSION	STANDARD QTY.
	Inches [mm] Width x Length x Height	
PSL-CL480	6.625 X 2.875 X 3.000 [168.28] X [73.03] X [76.20]	1



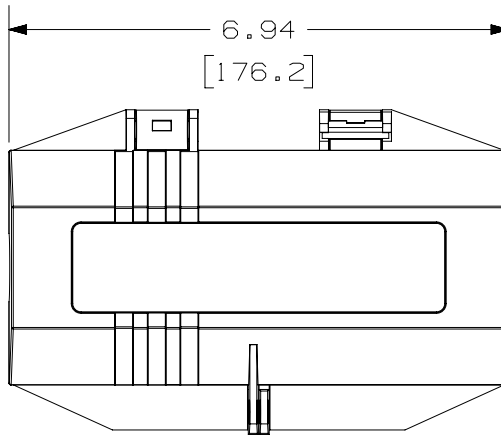
CLOSED



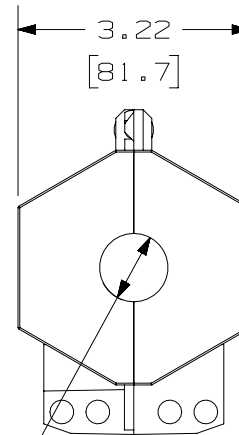
OPEN



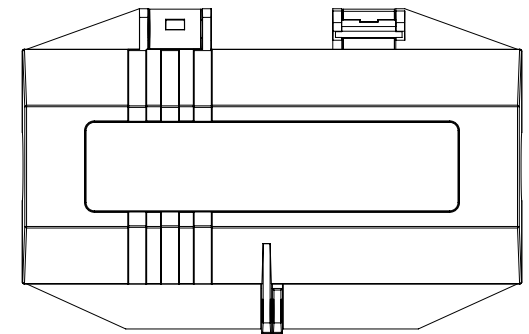
4.51  
[114.6]



6.94  
[176.2]



3.22  
[81.7]



∅ .95  
[24.1]

HOLES ACCOMMODATE  
LOCK WITH ∅ .30 [7.6]  
OR SMALLER SHACKLES.  
TYP. 4 PLCS.

TITLE		PSL-CL480 240-480 Volt AC Cord Lockout Device, Red	
		CUSTOMER DRAWING	
ITEM REVISION NAME		I00619FK/03	
DATASET FILE NAME		I00619FK_DC_C10635/03	
UNLESS OTHERWISE SPECIFIED, DIMENSIONAL TOLERANCES ARE: IN [mm]		MATERIAL:	
.x ± .5 [12.7]      .xxx ± .1 [2.54]		POLYPROPYLENE, RED	
.xx ± .25 [6.35]      ANGLES ± 5°		PANTONE PMS 186 <span style="border: 1px solid black; padding: 2px;">03</span>	
DRAWING NUMBER:		C10635	
THIRD ANGLE PROJECTION		SHT 1 OF 1	
DRAWN BY	DATE	CHK	SCALE
RVU	1/29/08	JHAC	NTS
REV	DATE	BY	CHK
03	2/14/2020	RVU	ANRO
02	1/30/2020	RVU	ANRO
01	11/13/19	RVU	ANRO
00	1/29/08	RVU	
DESCRIPTION		ECN	
ADDED MATERIAL, POLYPROPYLENE, RED PANTONE PMS 186.		GAECN05563	
REPLACED LATEST RECTANGE MODEL TO CURRENT HEXAGON MODEL.		GAECN05540	
REPLACE OLD MODEL TO NEW REBUILD MODEL.		GAECN05496	
DRAWING RELEASE.		5274	

D10100DA/20