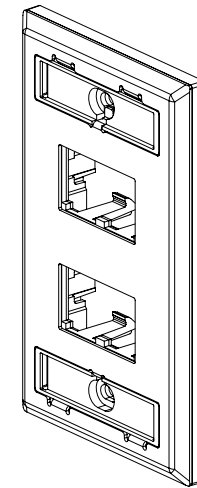
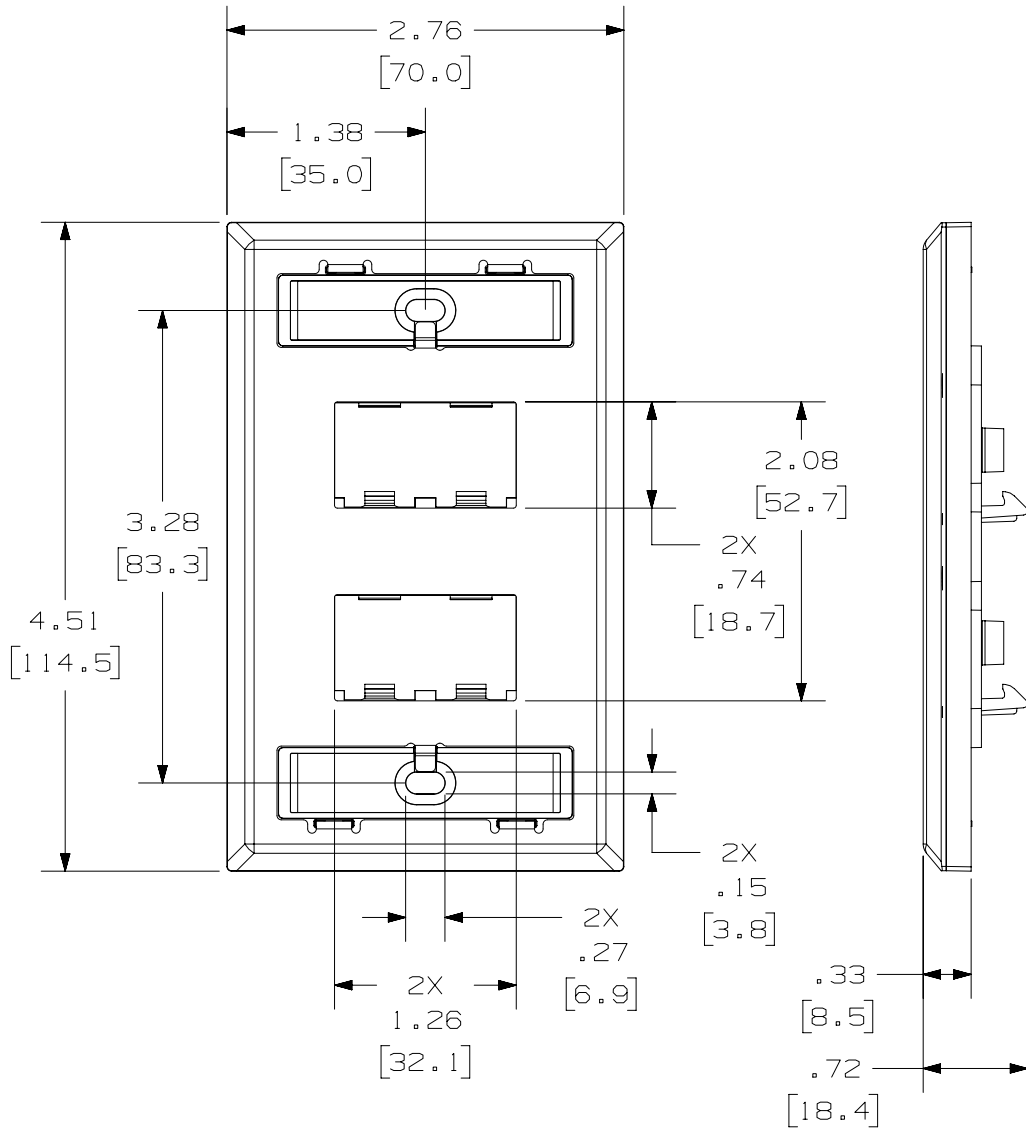


THIS COPY IS PROVIDED ON A RESTRICTED BASIS AND IS NOT TO BE USED IN ANY WAY DETRIMENTAL TO THE INTERESTS OF PANDUIT CORP.

NOTES:

1. VISIT OUR ON-LINE CATALOG AT WWW.PANDUIT.COM FOR A LIST OF CURRENT PARTS APPLICABLE FOR USE WITH THIS PRODUCT.
2. DIMENSIONS IN [] ARE METRIC.
3. ALL MATERIALS AND COMPONENTS USED MEET THE MATERIAL RESTRICTIONS OF RoHS (EUROPEAN DIRECTIVE 2011/65/EU ON THE RESTRICTION OF HAZARDOUS SUBSTANCES) AS PROPOSED BY THE RoHS TECHNICAL ADAPTATION COMMITTEE.
4. WEIGHT: .92 lb/10 PCS [417.3g/10 PCS]
5. PART INCLUDES:
 - 1- FACEPLATE
 - 2- #6-32 X 1" MOUNTING SCREWS
 - 2- LABELS
 - 2- LABEL COVERS



PART NUMBER		CFPL4SU		
TITLE				
MINI-COM™ 4 POSITION STAINLESS STEEL FACEPLATE WITH LABELS CUSTOMER DRAWING				
ITEM REVISION NAME		03198NAB/01		
DATASET FILE NAME		03198NAB_DC/01A		
MATERIAL		THIRD ANGLE PROJECTION		
DRAWING NUMBER		03198NAB-DC		
01A	4-23-24	BJN	MDJR	MMR
00A	01-04-24	BJN	MDJR	MMR
REV	DATE	BY	CHK	APR
DESCRIPTION		ECN		
M09000V0/01		M09000V0/00		
FACEPLATE:	304 S.S.	BACKING:	ABS	
BVN	01-04-24	MDJR	NONE	SHEET 1 OF 1
A-SIZE CUSTOMER				A