

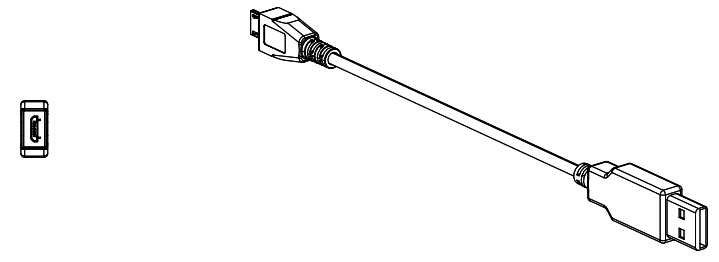
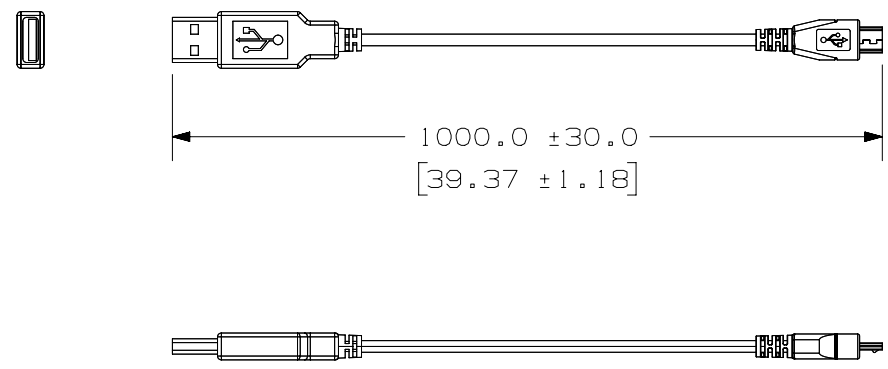
2

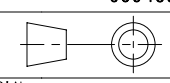
1

THIS COPY IS PROVIDED ON A RESTRICTED BASIS AND IS NOT TO BE USED IN ANY WAY DETRIMENTAL TO THE INTERESTS OF PANDUIT CORP.

NOTES:

1. VISIT OUR ON-LINE CATALOG AT WWW.PANDUIT.COM FOR A LIST OF CURRENT PARTS APPLICABLE FOR USE WITH THIS PRODUCT.
2. DIMENSIONS IN ( ) ARE INCHES.
3. ALL MATERIALS AND COMPONENTS USED MEET THE MATERIAL RESTRICTIONS OF RoHS (EUROPEAN DIRECTIVE 2011/65/EU ON THE RESTRICTION OF HAZARDOUS SUBSTANCES) AS PROPOSED BY THE RoHS TECHNICAL ADAPTATION COMMITTEE.
4. WEIGHT:
5. PART INCLUDES:  
1- 1000mm LONG USB 2.0 TO MICRO USB DATA CORD
6. GLOBALLY GHS COMPLIANT.



PART NUMBER		FOCTT2CORD		
TITLE		FIBER OPTICAM 2 TERMINATION TOOL DATA CORD		
		CUSTOMER DRAWING		
ITEM REVISION NAME		00045SDM/00		
DATASET FILE NAME		00045SDM_DC/00A		
		THIRD ANGLE PROJECTION		
MATERIAL		DRAWING NUMBER		
		00045SDM-DC		
DRAWN BY	DATE	CHK	SCALE	SIZE
TWV	10-16-20	SCAL	1:2	A

A-SIZE CUSTOMER

00A	10-16-20	TWV	SCAL	REFR	INITIAL RELEASE	00045SDM
REV	DATE	BY	CHK	APR	DESCRIPTION	ECN

2

1