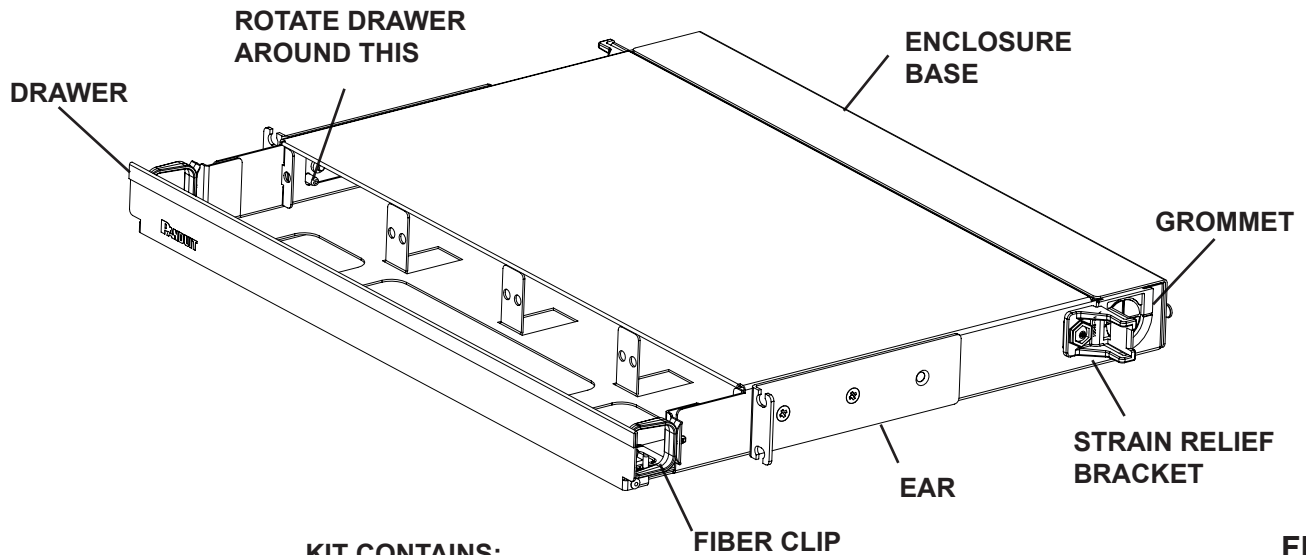


INSTALLING ENCLOSURE (1RU SHOWN):

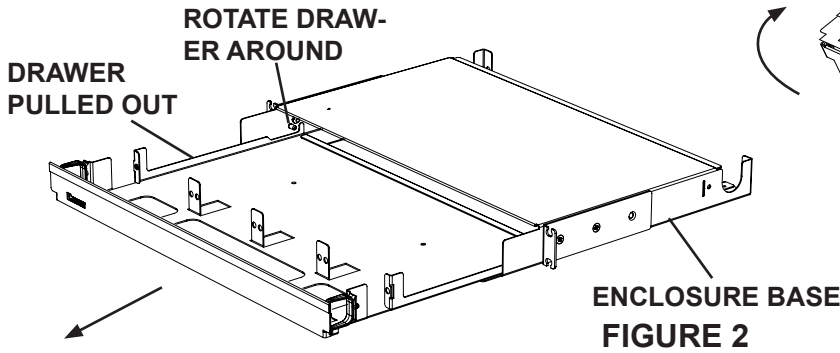


KIT CONTAINS:

SERRATED FLANGE HEX NUT	2
FIBER SADDLE, VERTICAL, 1.06" BUNDLE, BLACK	2
GROMMET, FIBER	2
FIBER CAUTION/DANGER LABEL	1
FIBER LASER BEAM WARNING LABEL	1
CABLE TIE, 7.4"L (188mm), STANDARD, WEATHER RESISTANT, BLACK	4
MOUNTING SCREW (4) #12-24 X .5"	1
MOUNTING SCREW (4) M6X1.0-6HX 15mm	1
BUTTON HEAD, TORX DRIVE SCREW, FOR STRAIN RELIEF BRACKET	2
STRAIN RELIEF BRACKET	2
BEVEL ENTRY CLIP	1
SPIRAL WRAP 24.0"	1

FIGURE 1

For Technical Support: www.panduit.com



STEP #1: REMOVE DRAWER FROM ENCLOSURE BY PULLING FORWARD AND ROTATING UPWARD AND THEN PULLING DRAWER OUT FROM ENCLOSURE. (SEE FIGURES 2 AND 3)

STEP #2: ADJUST MOUNTING EARS TO DESIRED LOCATION. (SEE FIGURE 4)

STEP #3: INSTALL ENCLOSURE BASE TO RACK USING PROVIDED MOUNTING SCREWS. NOTE: WHEN INSTALLING TO TOP OF ROW, DRAWER WITHOUT CASSETTES MUST BE INCLUDED. INSTALL IN A BOTTOM UP METHOD.

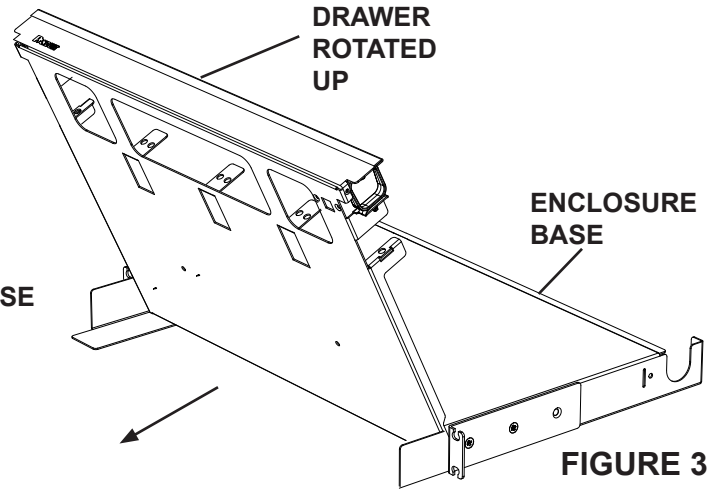


FIGURE 3

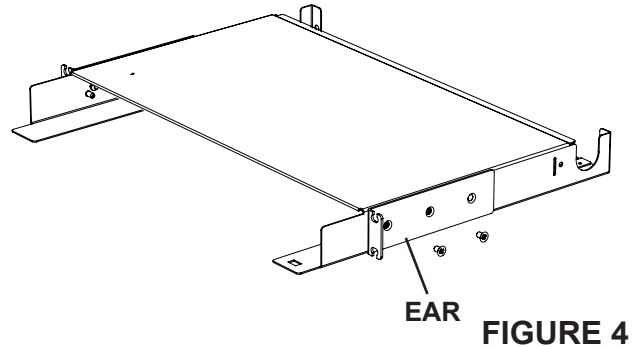


FIGURE 4

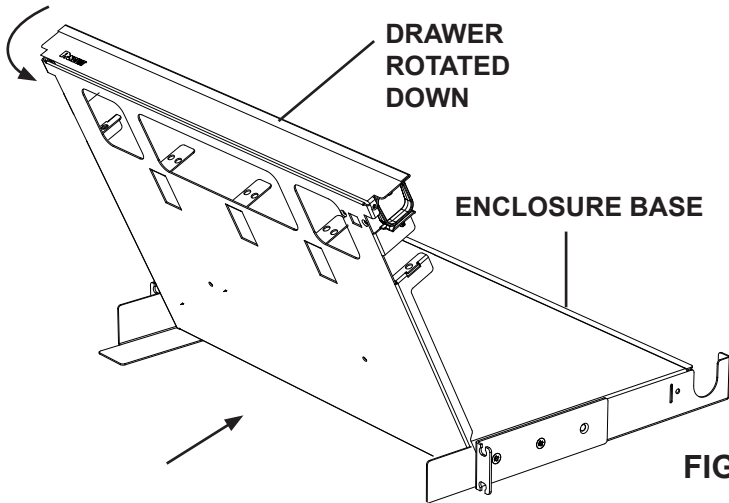


FIGURE 5

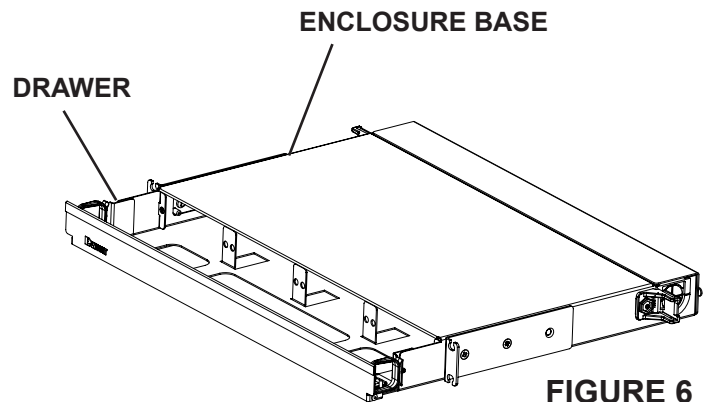


FIGURE 6

STEP #4: SLIDE DRAWER BACK INTO ENCLOSURE BASE. (SEE FIGURES 5 AND 6). DRAWER SHOULD BE EMPTY WHEN INSTALLED BACK INTO

WARNING! ALWAYS INSTALL FAPs AND CASSETTES WHEN THE DRAWER IS INSIDE THE ENCLOSURE. DO NOT PRE-LOAD FAPs OR CASSETTES TO DRAWER BEFORE REASSEMBLING TO ENCLOSURE

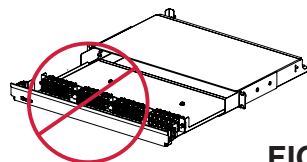


FIGURE 7

INSTALLING CABLE (1RU SHOWN):

STEP #1: DETERMINE WHICH SIDE TO ROUTE CABLE THROUGH REAR OF ENCLOSURE.

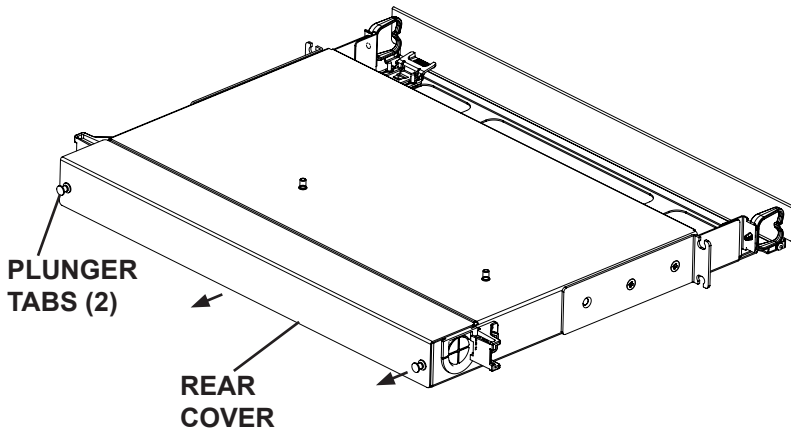


FIGURE 8

ENCLOSURE SHOWN WITH REAR COVER REMOVED

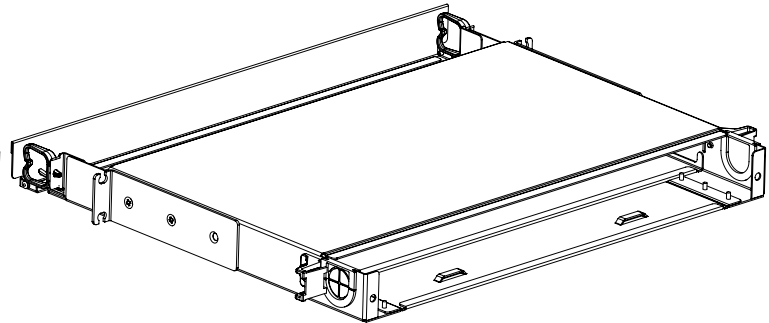


FIGURE 9

STEP #2: REMOVE REAR COVER BY PULLING PLUNGER TABS. (SEE FIGURES 8 AND 9)

STEP #3: INSTALL CABLE ENTRY. (SEE FIGURE 10)

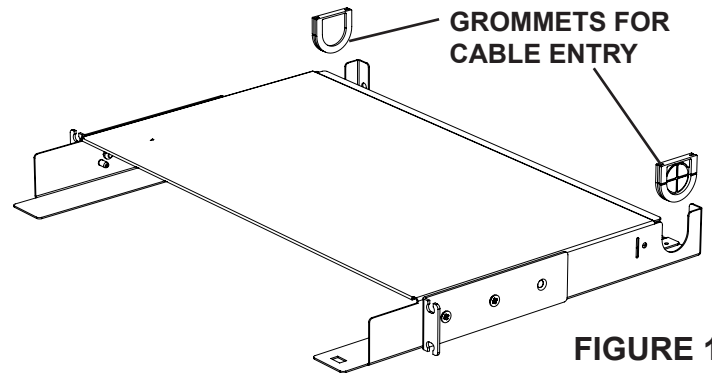


FIGURE 10

STEP #4: ROUTE CABLE THROUGH GROMMET, (RIGHT SIDE ROUTING SHOWN). USE TAK-TY OR CABLE TIE TO SECURE TO CABLE ENTRY. (SEE FIGURE 11)

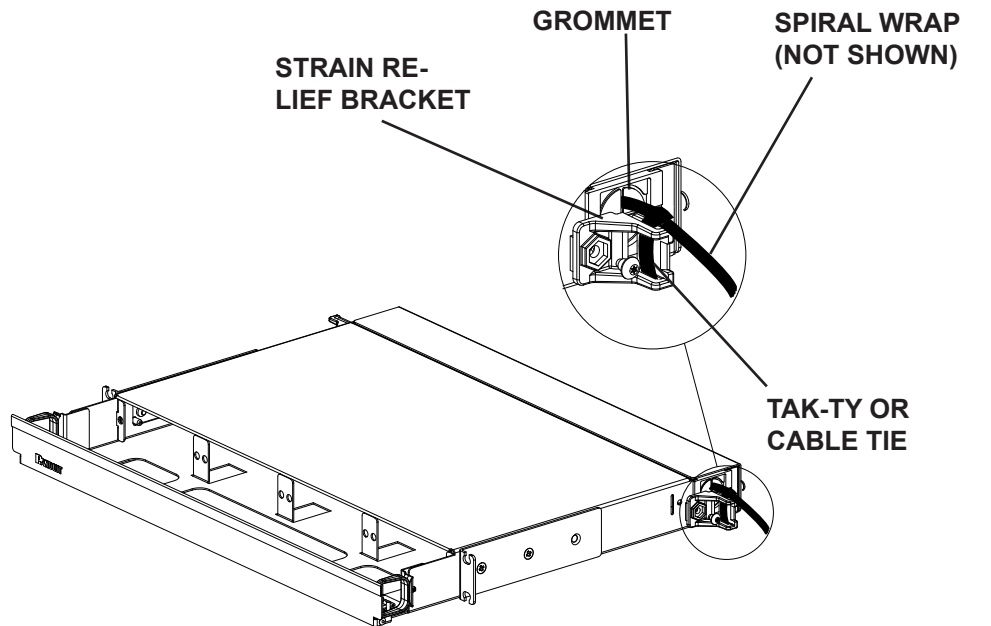


FIGURE 11

STEP #5: WRAP CABLE BUNDLE WITH SPIRAL WRAP TO PREVENT KINKING (SEE FIGURE 11)

STEP #6: SECURE CABLE BUNDLE TO BRIDGE LANCES USING TAK-TY OR THE BEVEL CLIP, LEAVING SLACK LOOP. (SEE FIGURE 11)

STEP #7: ROUTE CABLES TO FAP'S OR CASSETTES (CASSETTE ROUTING SHOWN) (SEE FIGURE 11)

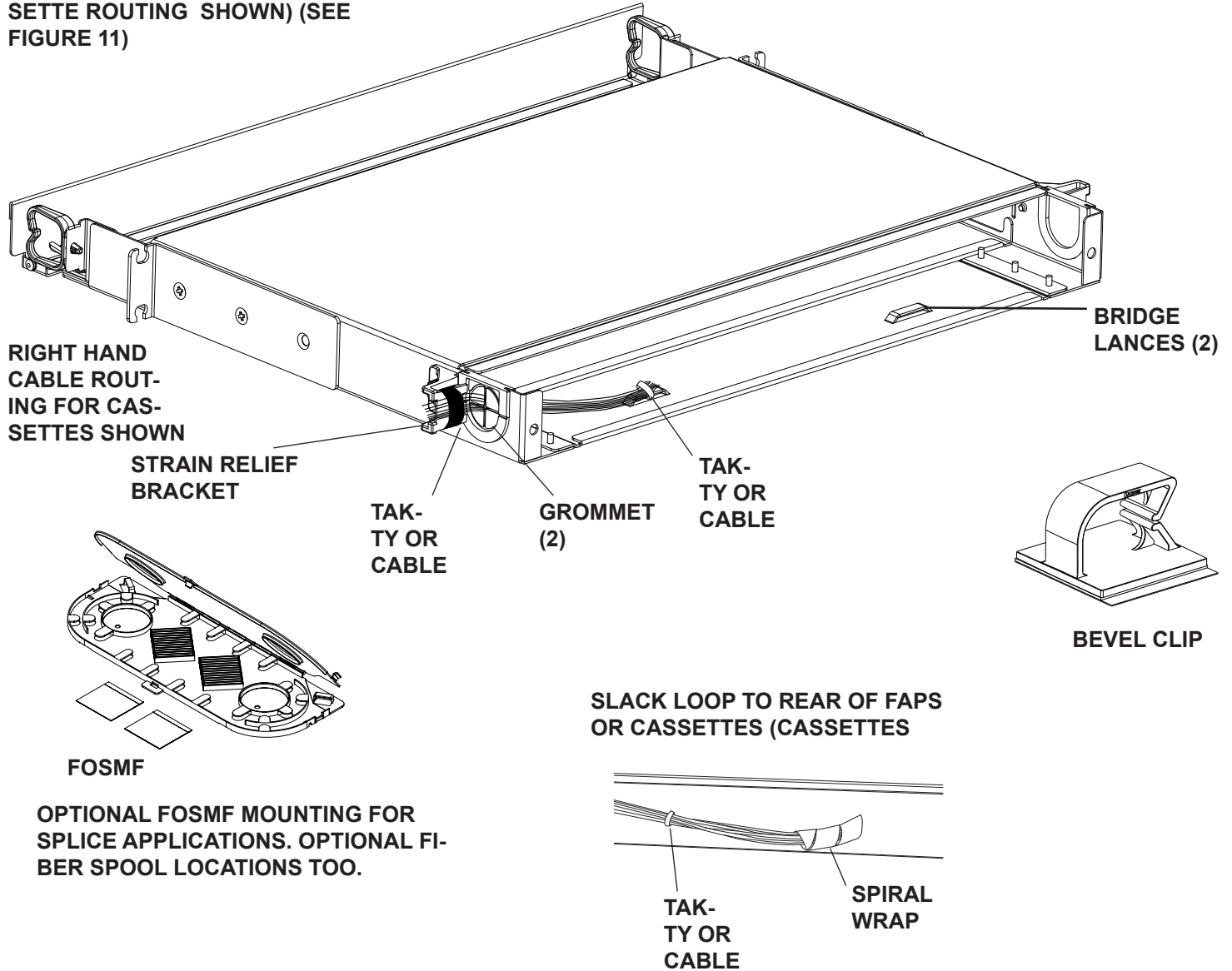


FIGURE 11