

Intelligent Rack Security Handle with Humidity Sensor

SPECIFICATIONS

The Panduit Intelligent Rack Security Handle with Humidity Sensor shall provide unparalleled protection against digital and physical security challenges in data centers. Featuring a keypad-integrated model, it supports dual authentication through card swipe and PIN entry. The Intelligent Rack Security Handle carries the respective regulations required within this environment and is GDPR, HIPAA, and PCI-DSS compliant to meet security needs now and in the future.

Compatible with most data center cabinets, the Intelligent Rack Security Handle can read both low-frequency (125 kHz) and high-frequency (13.5 MHz) cards. It can support 200 authorized users and has a built-in humidity sensor for optimal placement near the center of the cabinet. The Status LED shows the handle and security status while the Beacon LED indicates cabinet health status. The beacon's locate function can flash a specific color to help identify the cabinet.



TECHNICAL INFORMATION

Dimensions: 9.5" x 1.5" (241mm x 37mm)

KEY FEATURES AND BENEFITS

Door access and control monitoring:	Controls access to a rack or cabinet in a data center and provides physical status of a door
Optional keypad:	The Intelligent Rack Security Handle with Humidity Sensor and Keypad (ACF06) offers an integrated keypad for dual authentication
Cabinet compatibility:	Seamlessly integrates into Panduit cabinets
Integrated sensors:	The Intelligent Rack Security Handle with Humidity Sensor features an integrated humidity sensor and is designed to incorporate additional environmental and door sensors through the handle
Software integration:	Captures data that is consolidated by connected Panduit G5/G6 iPDU and UPS then analyzed by DCIM Software for real-time monitoring management and automated documentation
Beacon LED:	Provides the health of the cabinet at a glance. Will flash yellow for minor alarm or flash red for critical alarm. Also features a locate function to manually flash the beacon to easily locate the cabinet.
Status LED:	Provides visual indication for authentication, lock state, key usage, or handle state
200 users:	Provide card access for up to 200 users
Multi-frequency card reader:	Reads both low-frequency (125 kHz) and high-frequency (13.56 MHz) cards

APPLICATIONS

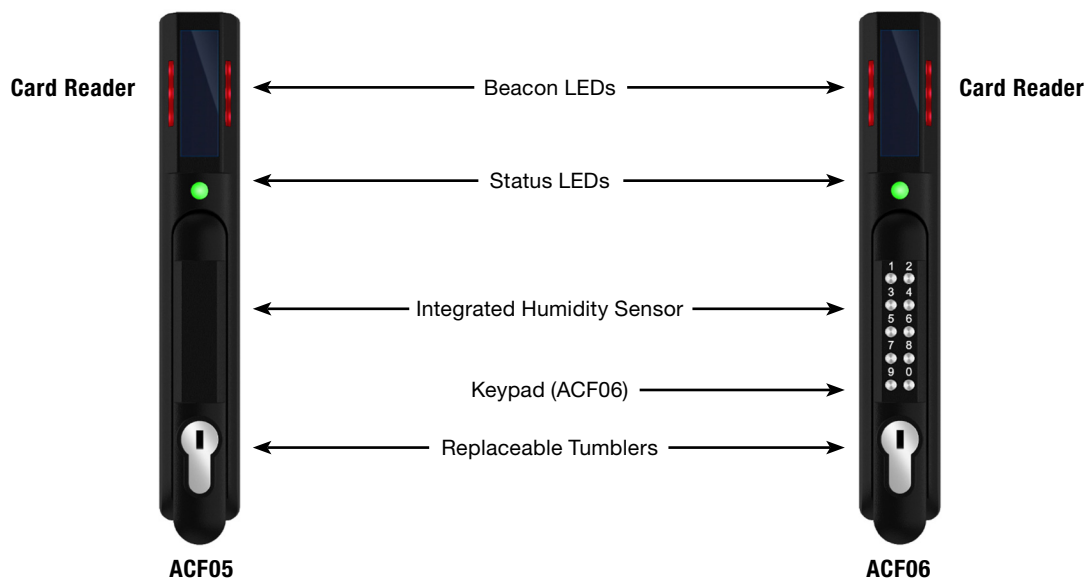
The Intelligent Rack Security Handle with Humidity Sensor is designed to offer remote management and protection of data center racks from unauthorized users. The handle integrates with the Panduit G5/G6 iPDU and UPS to support real-time notification of threshold breaches and rack access. It can be configured and monitored through the web interface or DCIM Cloud Software. The Intelligent Rack Security Handle is also offered with a keypad for increased security and dual authentication.

Intelligent Rack Security Handle with Humidity Sensor

TECHNICAL SPECIFICATION

Parameters	With Card Reader
Degree of protection:	IP55
Electrical connection to the Panduit G5/G6 iPDU and UPS:	Harness part number ACF20. JST to RJ45 plug. Harness part number MA030 is RJ45 jack to RJ45 plug MA030 is designed to mate into the New Zealand bulkhead
Operating voltage:	5V ±0.5V DC
Operating current:	Less than 850 mA at 5VDC
Maximum stall current:	1.15 A
Card compatibility:	MIFARE Classic 1k and 4k 13.56 MHz MIFARE Plus 2k 13.56 MHz MIFARE DESFire 4k 13.56 MHz HID iClass 13.56 MHz HID 125 kHz Prox EM 125 kHz Prox
Operating temperature:	32°F to 149°F (0°C to 65°C)
Humidity operating range:	10% to 90% RH, non-condensing
Elevation operating range (altitude):	0 – 3,000 meters
Card proximity distance:	0 – 0.8 inches (0 – 2cm)

INTELLIGENT RACK SECURITY HANDLE WITH HUMIDITY SENSOR WITH AND WITHOUT KEYPAD



Beacon LED Cabinet Health	State	Color	Purpose
Locate:	Blinking	Blue, Green, Yellow, Red, White, Magenta	Identifies rack location via user command (customizable)
Critical Alarm:	Blinking	Red	Any critical alarm in the system (not customizable)
Warning Alarm:	Blinking	Yellow	Any warning alarm in the system (not customizable)
Normal State:	Solid	Blue, Green, Yellow, Red, White, Magenta	Visual indicator on the handle (customizable)

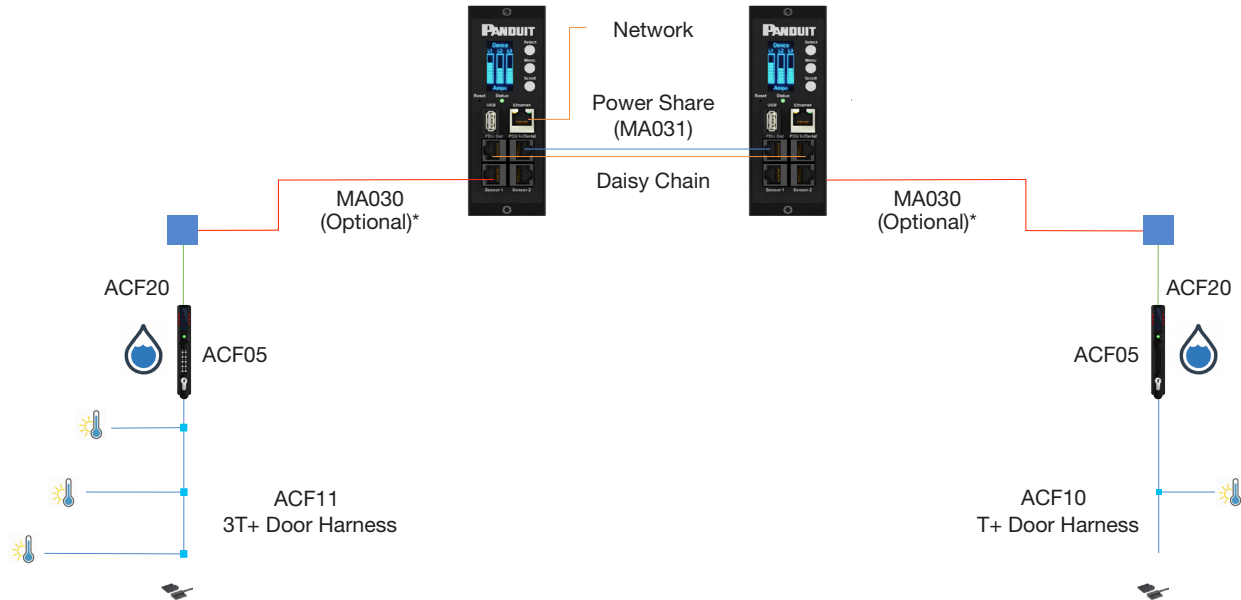
*Beacon LED default is on solid green

Status LED Security State	Description
Standby – Solid (or off):	Customer selectable color in standby state (customizable)
Red – Blinking:	Blinks three times signaling authentication error (not customizable)
Green – Blinking:	Lock open (not customizable)
Magenta – Blinking:	Key used to unlock, or mechanical handle lifted away from base (not customizable)
Yellow – Blinking:	Handle open past Door Open Time (not customizable)
Red – Solid:	Lock open for longer than Autolock Time (look for obstruction – not customizable)
Red – Solid:	Door open for longer than Door Open Time (door sensor – not customizable)

*Status LED default is on solid green

Intelligent Rack Security Handle with Humidity Sensor

CONNECTION DIAGRAM:



*The MA030 features a coupler to optimize door removal and is 10 ft. (3m) in length.

HANDLES, ENVIRONMENTAL SENSORS AND HARNESSSES

Part Number	Description
ACF05	Intelligent Rack Security Handle with Humidity Sensor
ACF06	Intelligent Rack Security Handle with Humidity Sensor and Keypad
ACF10	Intelligent Rack Security Handle Temperature and Door Sensor
ACF11	Intelligent Rack Security Handle 3-Temperature and Door Sensor
ACF20	Intelligent Rack Security Handle Harness
MA030	Intelligent Rack Security Handle Patch Cord Extension
MA031	G5 iPDU Power Share Patch Cord (RJ45 Male To RJ45 Male)
CRD-02-10PK	Security Access HID Cards 125 KHZ (10 Pack)
CRD-03-10PK	Security Access HID Cards 13.56Mhz (10 Pack)

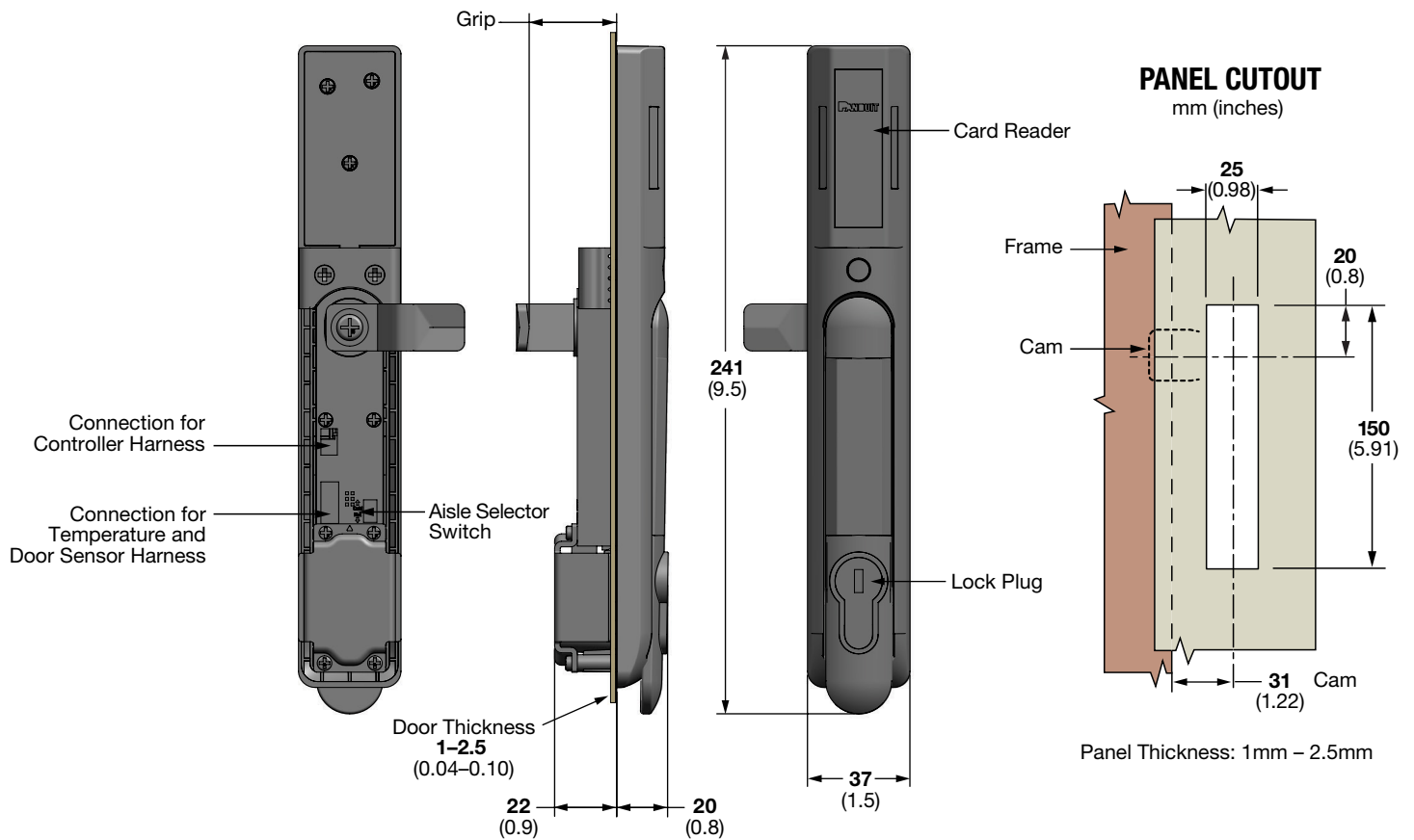
For installation instructions please see Intelligent Rack Security Handle installation guide.

REPLACEABLE TUMBLERS AND KEYS

Part Number	Lock Tumblers for Smart Rack Security Handles (10 Packs)	Part Number	Keys for Lock Tumblers (10 Packs)
TU020X	Base Tumbler for Key KE020X, for ACF05, ACF06	KE020X	Base Key for Tumbler TU020X
TU021X	Option 1 Tumbler for Key KE021X, for ACF05, ACF06	KE021X	Option 1 Key for Tumbler TU021X
TU022X	Option 2 Tumbler for Key KE022X, for ACF05, ACF06	KE022X	Option 2 Key for Tumbler TU022X
TU023X	Option 3 Tumbler for Key KE023X, for ACF05, ACF06	KE023X	Option 3 Key for Tumbler TU023X
TU024X	Option 4 Tumbler for Key KE024X, for ACF05, ACF06	KE024X	Option 4 Key for Tumbler TU024X
TU025X	Option 5 Tumbler for Key KE025X, for ACF05, ACF06	KE025X	Option 5 Key for Tumbler TU025X

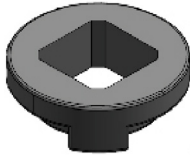

For increased security optional tumblers are available. 60 Day Lead time on Tumblers/Keys with a MOQ of 500 pcs. (50 of the 10 packs).

Intelligent Rack Security Handle with Humidity Sensor



Rotation limiters set the rotation direction of the latch. To flip the actuation direction, remove and reinstall the rotation limiter 90 degrees offset from original orientation.

Two rotation limiters are provided with each handle. The pre-installed one is for standard applications, an extended version can be used when additional clearance is required.

Grip	Rotation Limiter	
17.5 (0.69)	Pre-installed	
20.3 (0.80)	Extended	

WORLDWIDE SUBSIDIARIES AND SALES OFFICES

PANDUIT US/CANADA
Phone: 800.777.3300

PANDUIT EUROPE LTD.
London, UK
Phone: 44.20.8601.7200

PANDUIT SINGAPORE PTE. LTD.
Republic of Singapore
Phone: 65.6305.7575

PANDUIT JAPAN
Tokyo, Japan
Phone: 81.3.6863.6000

PANDUIT LATIN AMERICA
Guadalajara, Mexico
Phone: 52.33.3777.6000

PANDUIT AUSTRALIA PTY. LTD.
Victoria, Australia
Phone: 61.3.9794.9020

For a copy of Panduit product warranties, log on to www.panduit.com/warranty

PANDUIT[®]

For more information
Visit us at www.panduit.com
Contact Customer Service by email: cs@panduit.com
or by phone: 800.777.3300

© 2024 Panduit Corp.
ALL RIGHTS RESERVED.
PUSP81-WW-ENG
6/2024