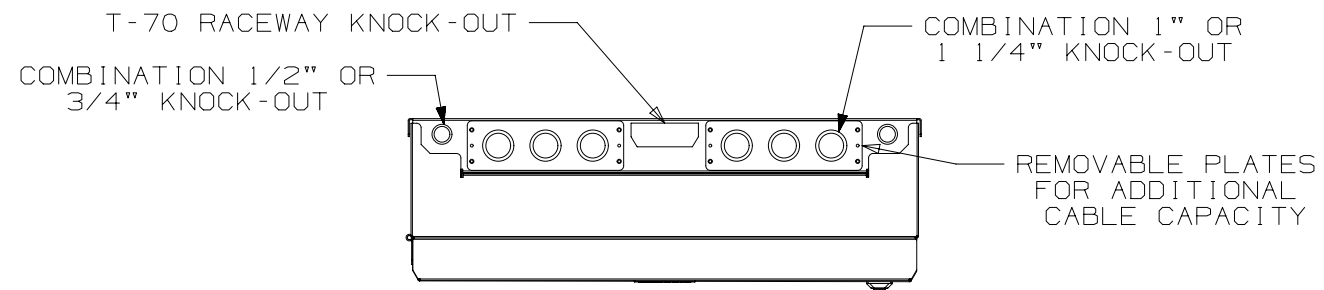
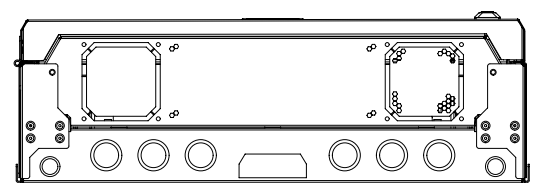
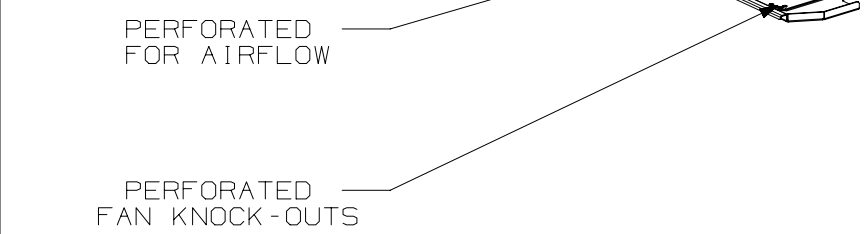
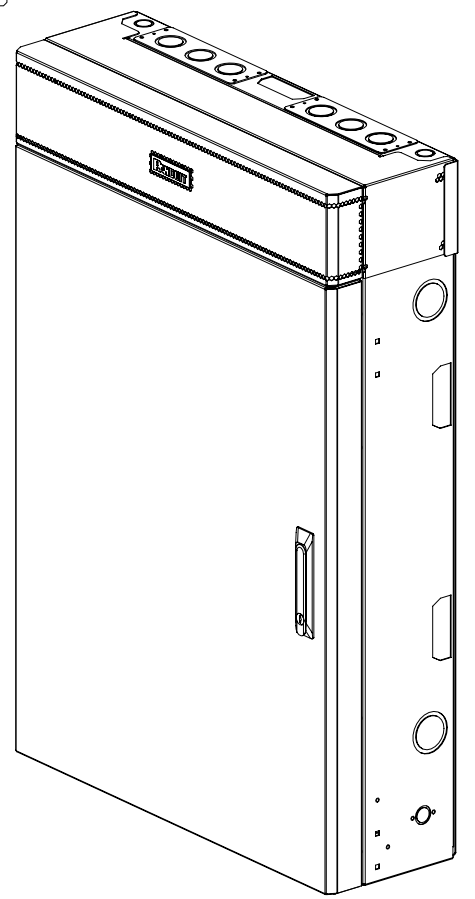
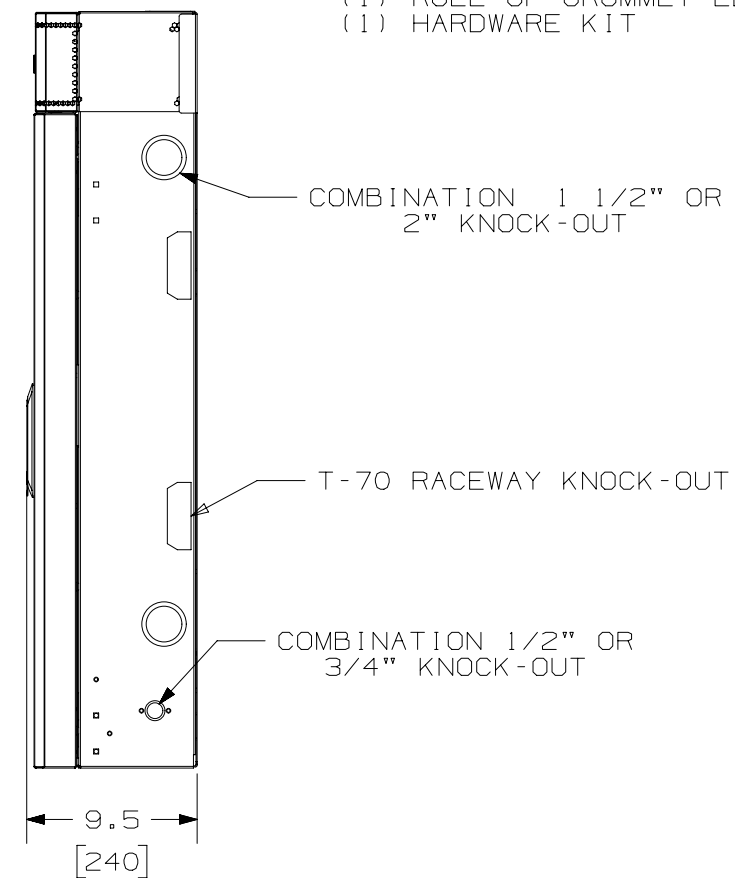
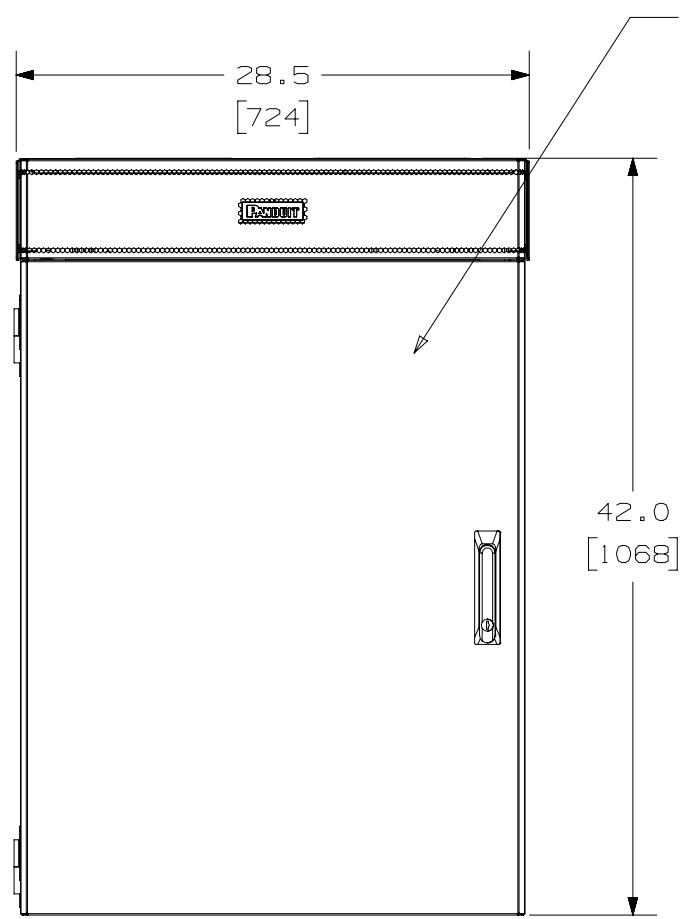
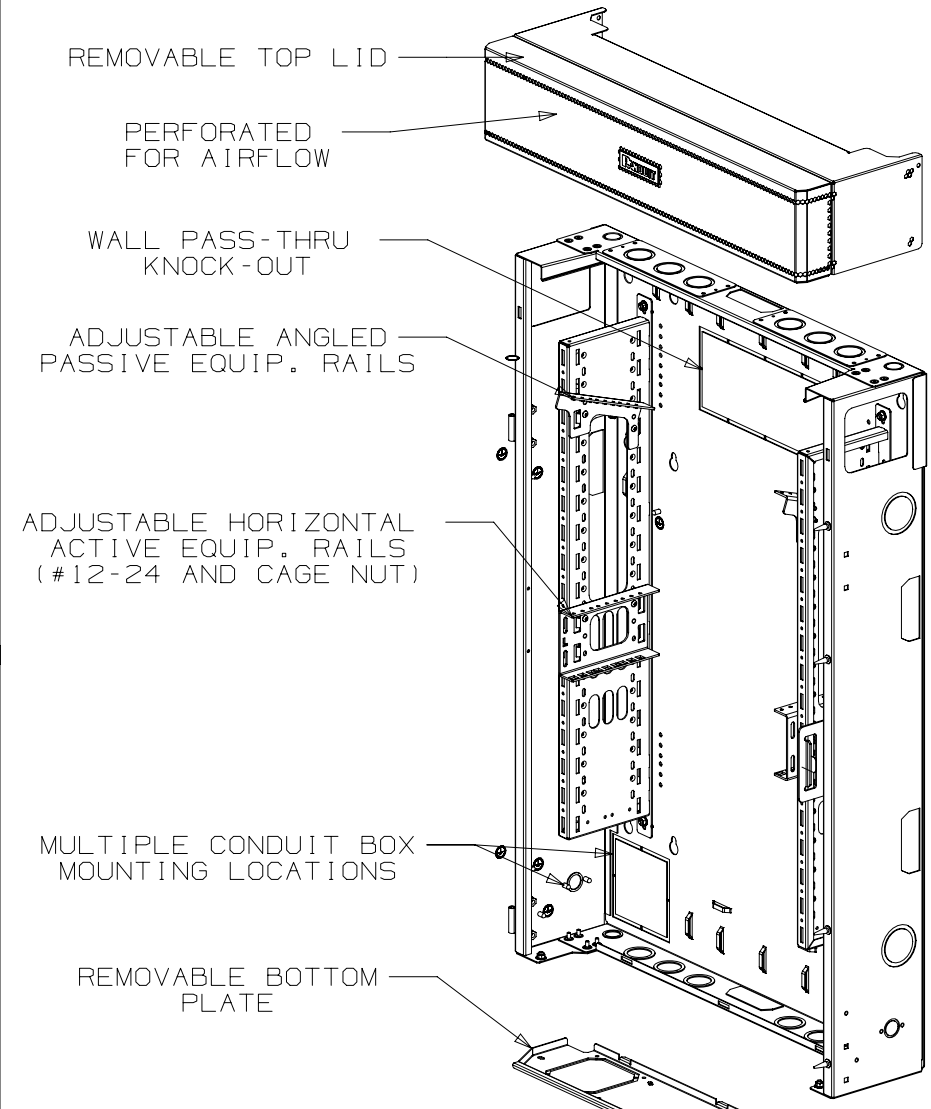


THIS COPY IS PROVIDED ON A RESTRICTED BASIS AND IS NOT TO BE USED IN ANY WAY DETRIMENTAL TO THE INTERESTS OF PANDUIT CORP.



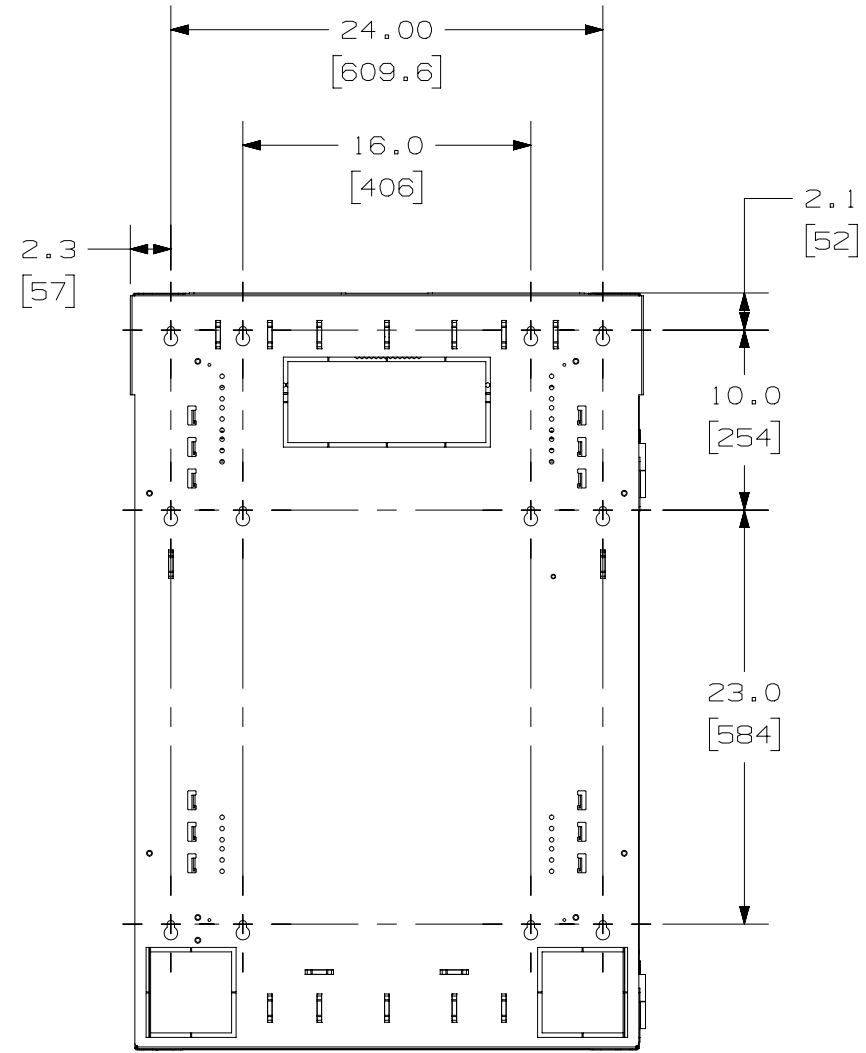
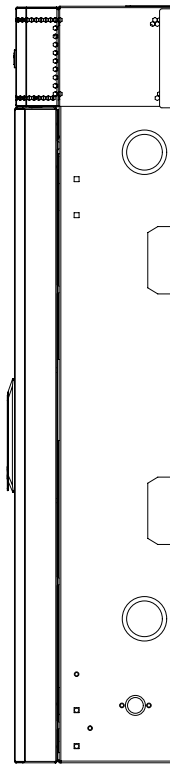
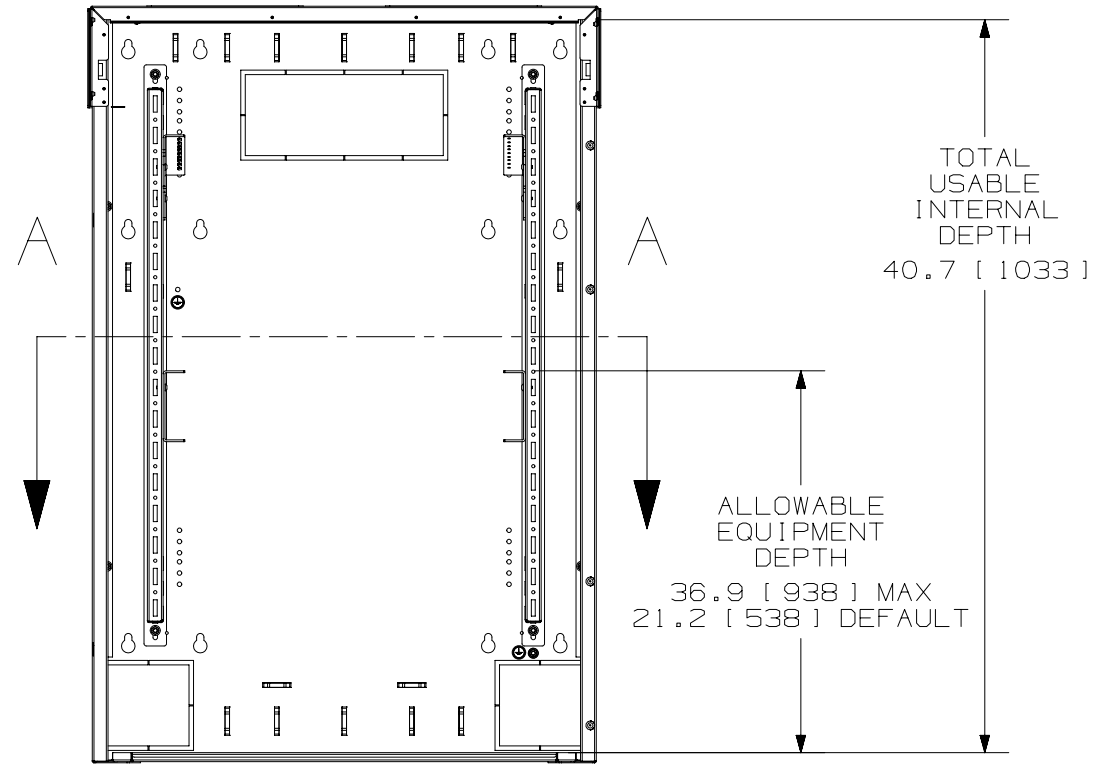
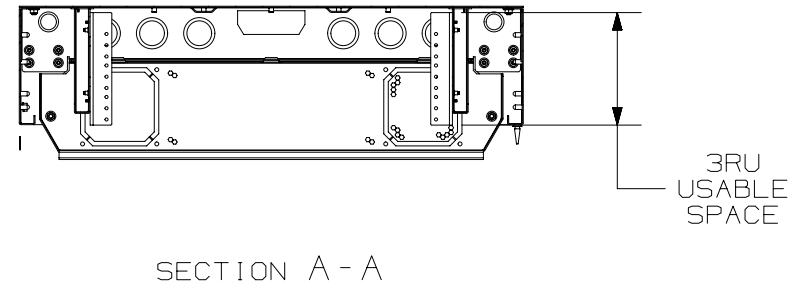
- NOTES:
- VISIT OUR ON-LINE CATALOG AT WWW.PANDUIT.COM FOR A LIST OF CURRENT PARTS APPLICABLE FOR USE WITH THIS PRODUCT.
 - DIMENSIONS IN [] ARE METRIC.
 - CAN BE USED WITH ANY 19" EIA STANDARD COMPONENT UP TO 36.9" [938mm] DEEP.
 - 6 AVAILABLE RACK SPACES. (3 ACTIVE &/OR 3 PASSIVE)
 - EQUIPMENT MOUNTING BRACKETS ARE ADJUSTABLE VERTICALLY IN 1.75" [44.5mm] INCREMENTS.
 - WEIGHT: 77 LB [34.9 KG]
 - LOAD CAPACITY: 200 LBS [91 KG]
 - TOP AND BOTTOM PANELS ARE REMOVABLE FOR ACCESS TO EQUIPMENT.
 - PART INCLUDES:
 - (1) VERTICAL WALL MOUNT ENCLOSURE
 - (1) PAIR OF HORIZONTAL ACTIVE EQUIPMENT RAILS (3RU)
 - (1) PAIR OF ANGLED PASSIVE EQUIPMENT RAILS (3RU)
 - (4) #12-24 SCREWS
 - (4) M5 THREAD FORMING BONDING SCREWS
 - (1) ROLL OF TAK-TY HOOK AND LOOP CABLE TIE
 - (2) KEYS
 - (1) ROLL OF GROMMET EDGING
 - (1) HARDWARE KIT



PART NUMBER		WME3BL, WME3WH	
TITLE		VERTICAL WALL MOUNT ENCLOSURE 3RU	
ITEM REVISION NAME		CUSTOMER DRAWING	
DATASET FILE NAME		00490EAA/07	
MATERIAL		STEEL	
DRAWING NUMBER		00490EAA-DC	
THIRD ANGLE PROJECTION		PANDUIT	
DRAWN BY	DATE	CHK	SCALE
TWV	3-17-20	KZU	NONE
SHEET 1 OF 3		SIZE B	

REV	DATE	BY	CHK	APR	DESCRIPTION	ECN
07A	1-23-24	TWV	KZU	BETL	ADDED P/N WME3WH	M09000LL/08
02A	3-17-20	TWV	KZU	BETL	RELEASED TO PRODUCTION	M09000LH

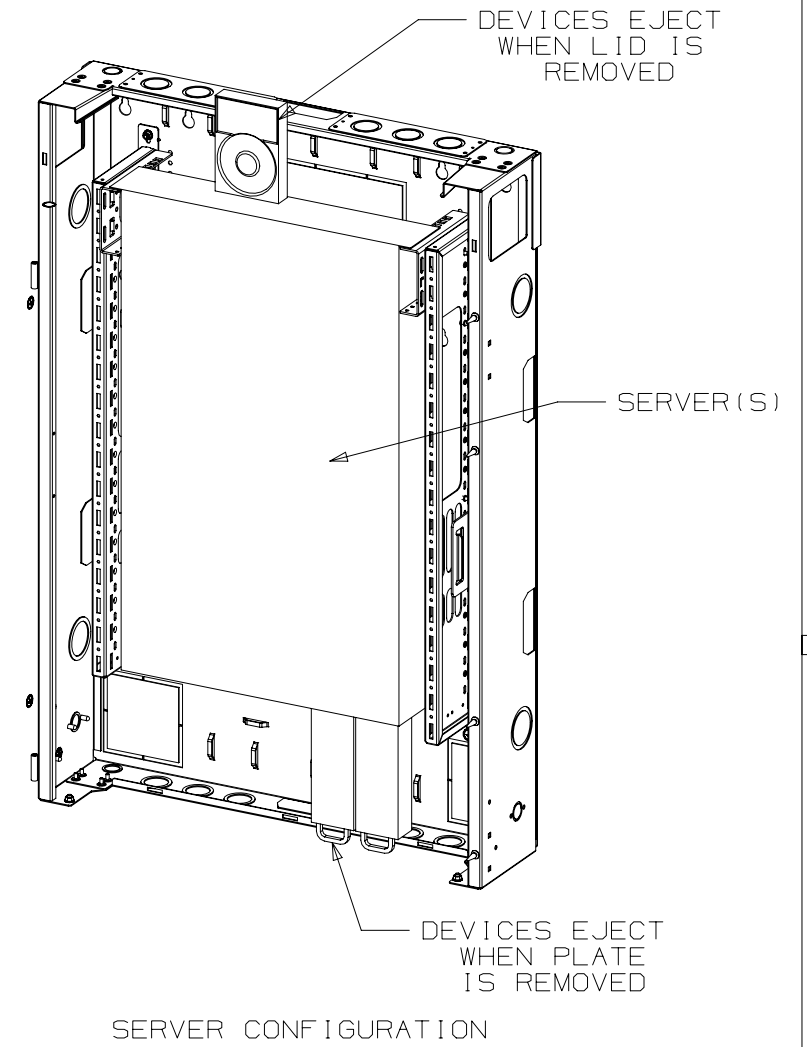
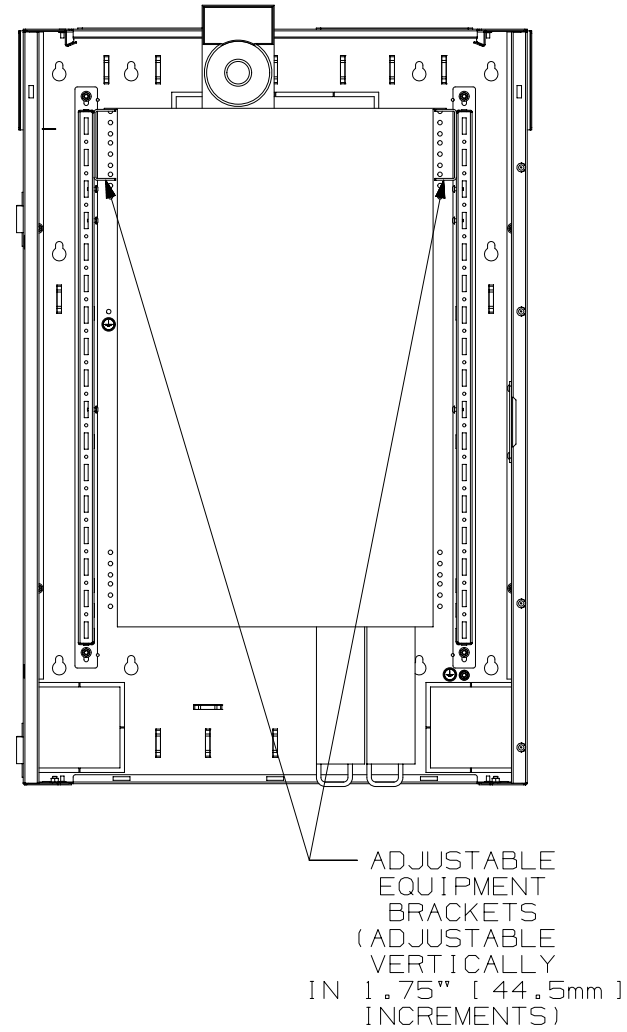
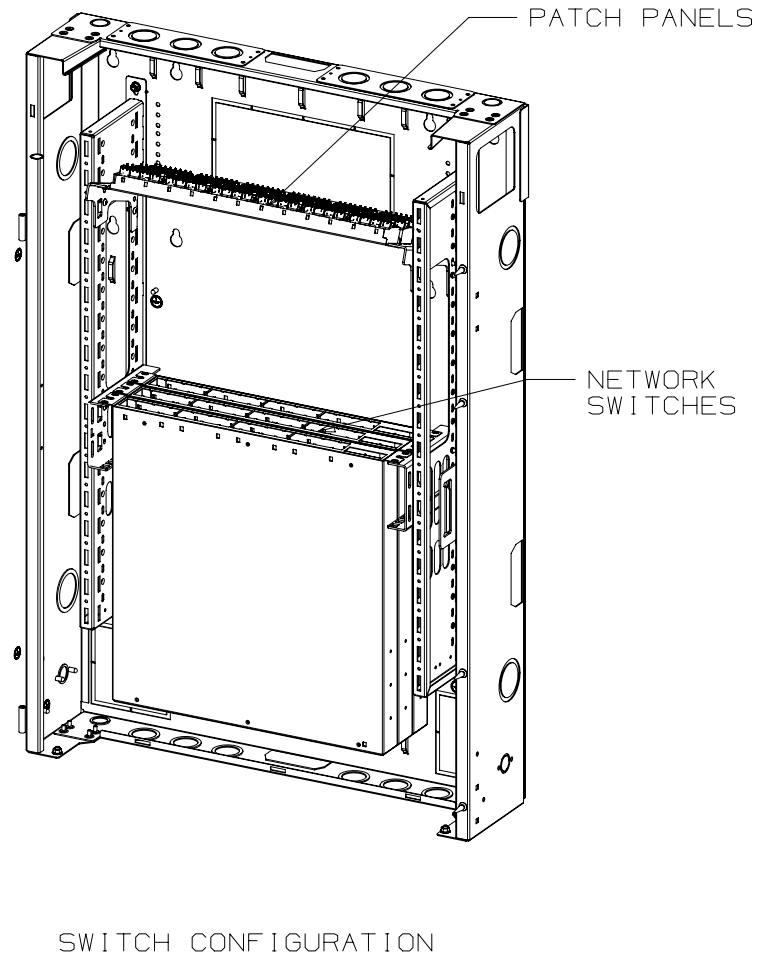
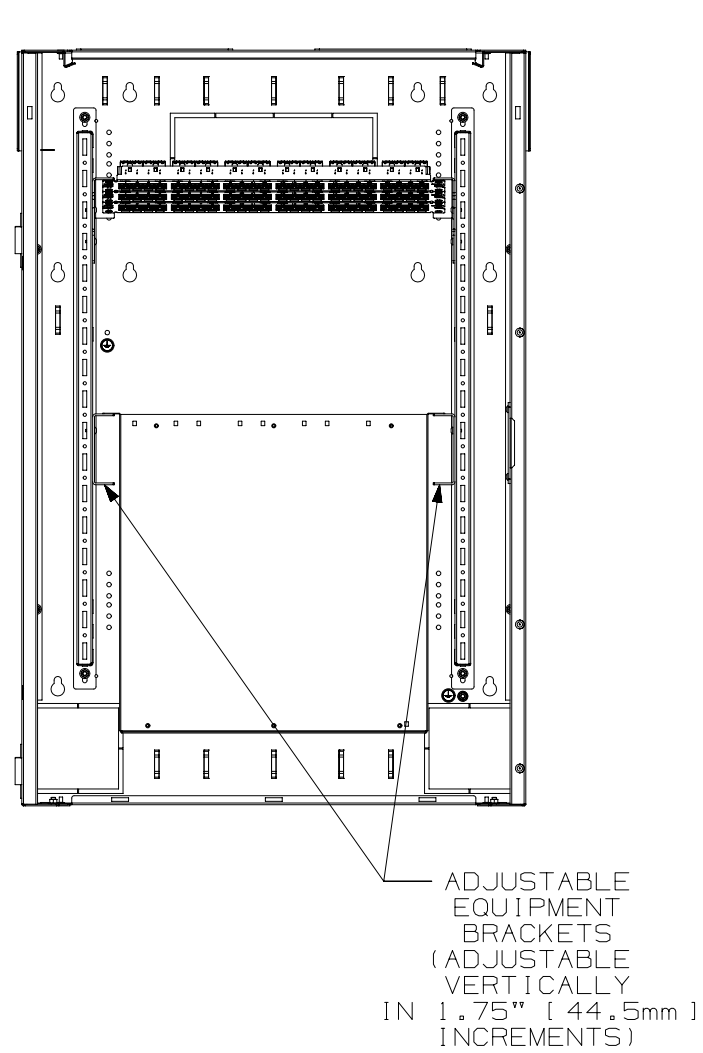
B-SIZE CUSTOMER

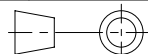



PART NUMBER		WME3BL, WME3WH	
TITLE		VERTICAL WALL MOUNT ENCLOSURE 3RU	
CUSTOMER DRAWING			
ITEM REVISION NAME	00490EAA/07	PANDUIT	
DATASET FILE NAME	00490EAA_DC/07A		
THIRD ANGLE PROJECTION		DRAWING NUMBER	
MATERIAL		00490EAA - DC	
DRAWN BY	DATE	CHK	SCALE
TWV	3-17-20	KZU	NONE
SHEET 2 OF 3		SIZE	
		B	

REV	DATE	BY	CHK	APR	DESCRIPTION	ECN
07A	1-23-24	TWV	KZU	BETL	SEE SHEET ONE FOR REVISIONS	M09000LL/08
02A	3-17-20	TWV	KZU	BETL	SEE SHEET ONE FOR REVISIONS	M09000LH

B-SIZE CUSTOMER



PART NUMBER		WME3BL, WME3WH	
TITLE		VERTICAL WALL MOUNT ENCLOSURE 3RU	
		CUSTOMER DRAWING	
ITEM REVISION NAME		00490EAA/07	
DATASET FILE NAME		00490EAA_DC/07A	
 THIRD ANGLE PROJECTION			
MATERIAL		STEEL	
DRAWING NUMBER		00490EAA - DC	
DRAWN BY	DATE	CHK	SCALE
TWV	3-17-20	KZU	NONE
SHEET 3 OF 3		B	

REV	DATE	BY	CHK	APR	DESCRIPTION	ECN
07A	1-23-24	TWV	KZU	BETL	SEE SHEET ONE FOR REVISIONS	M09000LL/08
02A	3-17-20	TWV	KZU	BETL	SEE SHEET ONE FOR REVISIONS	M09000LH

B-SIZE CUSTOMER