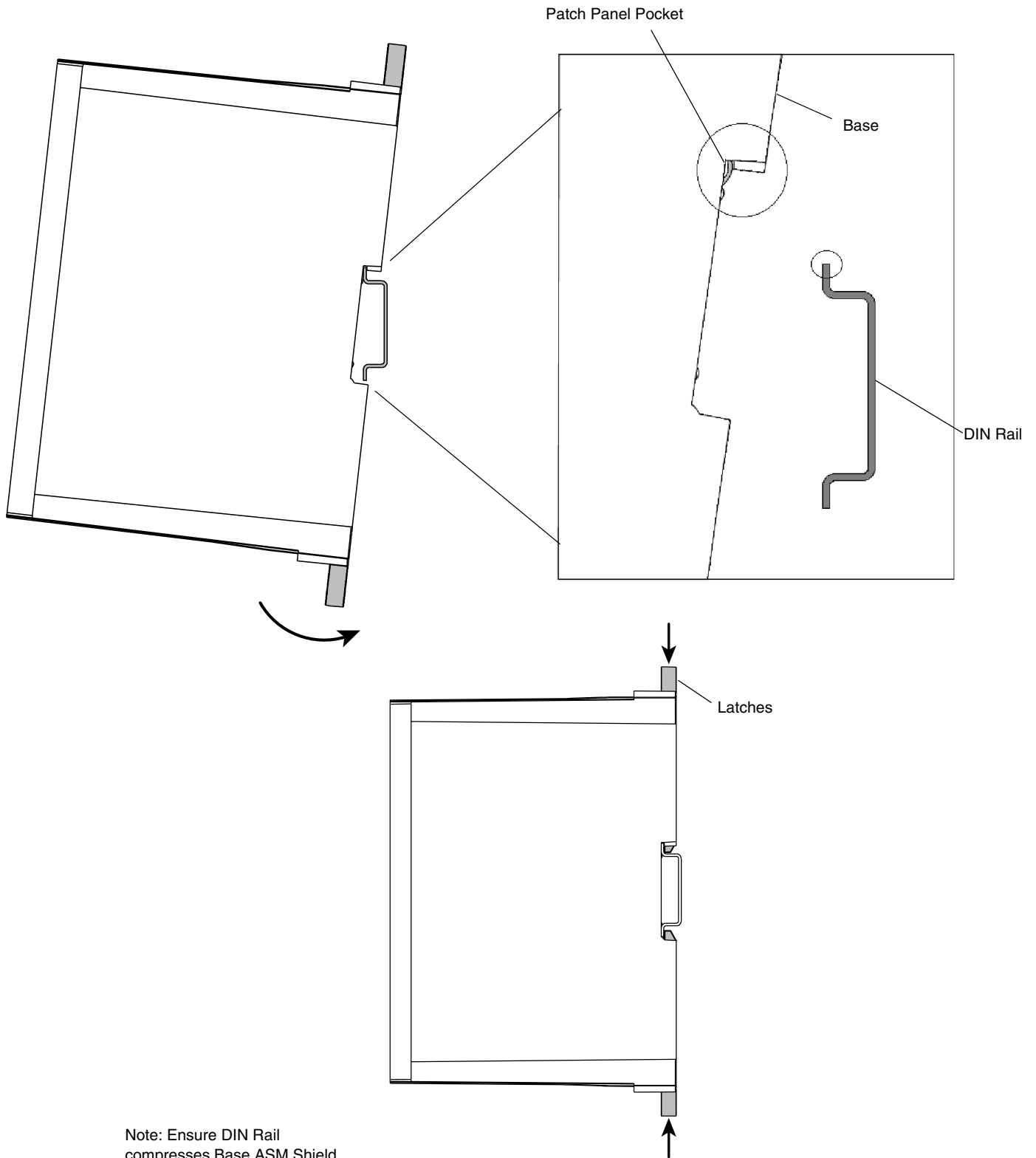
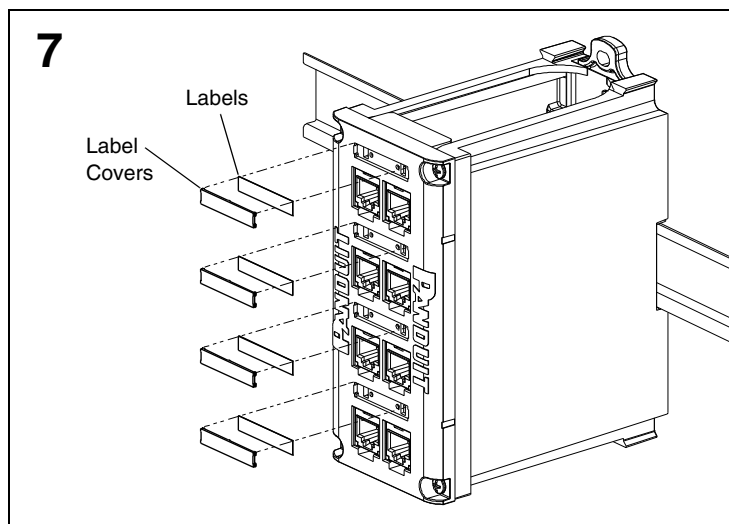
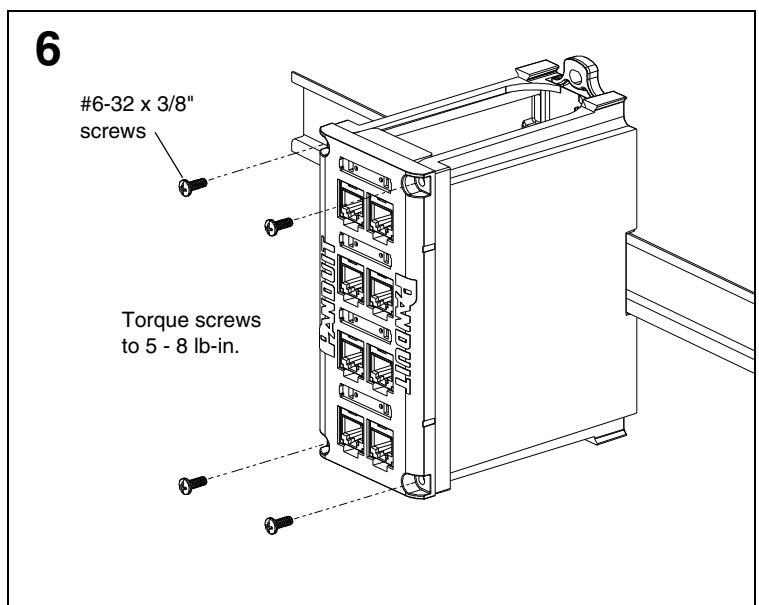
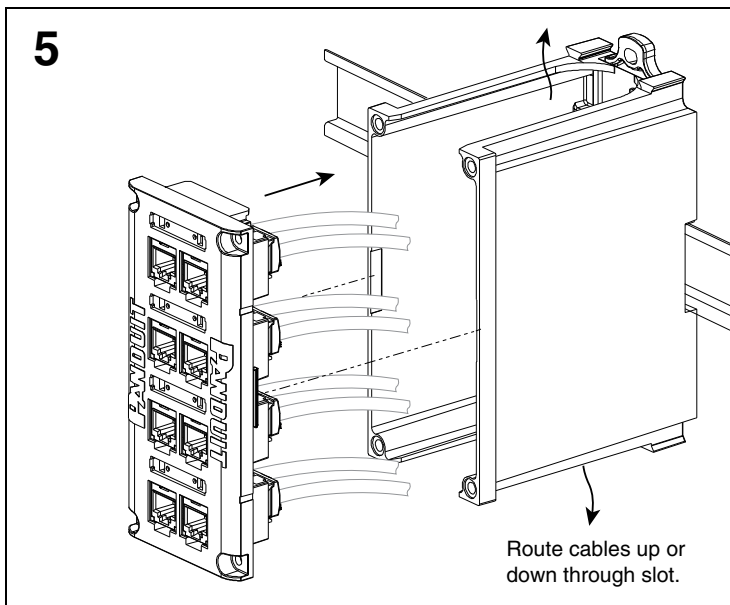
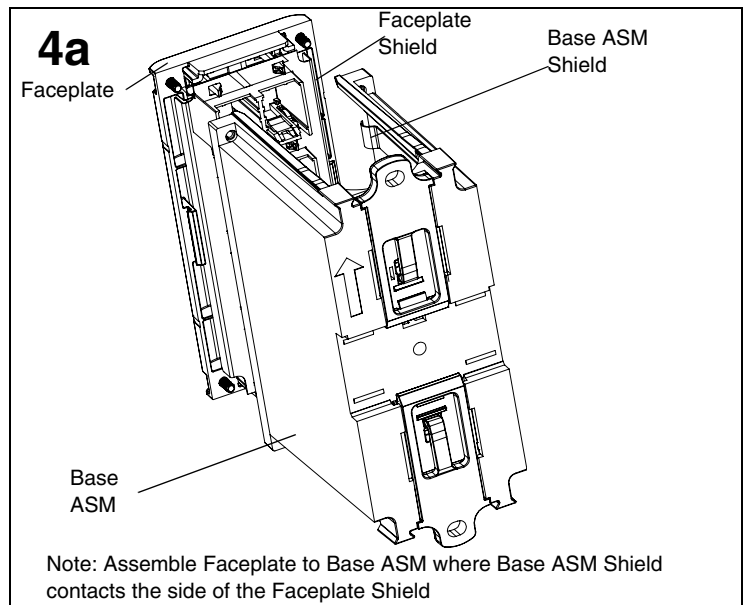
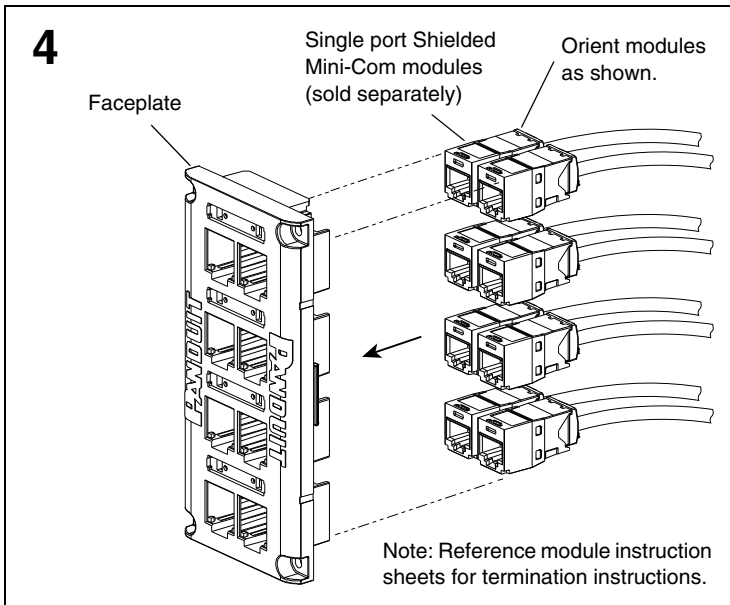


** Denotes color.

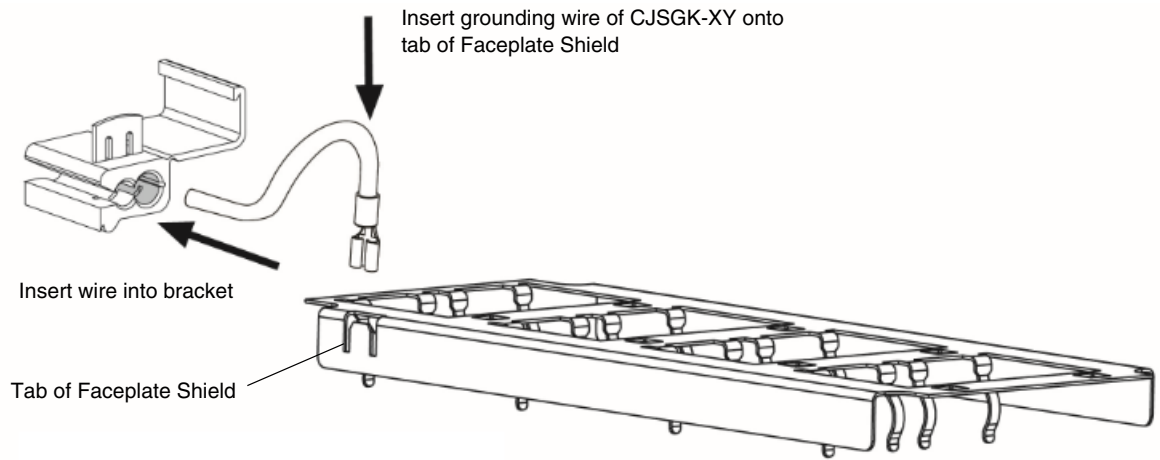
3



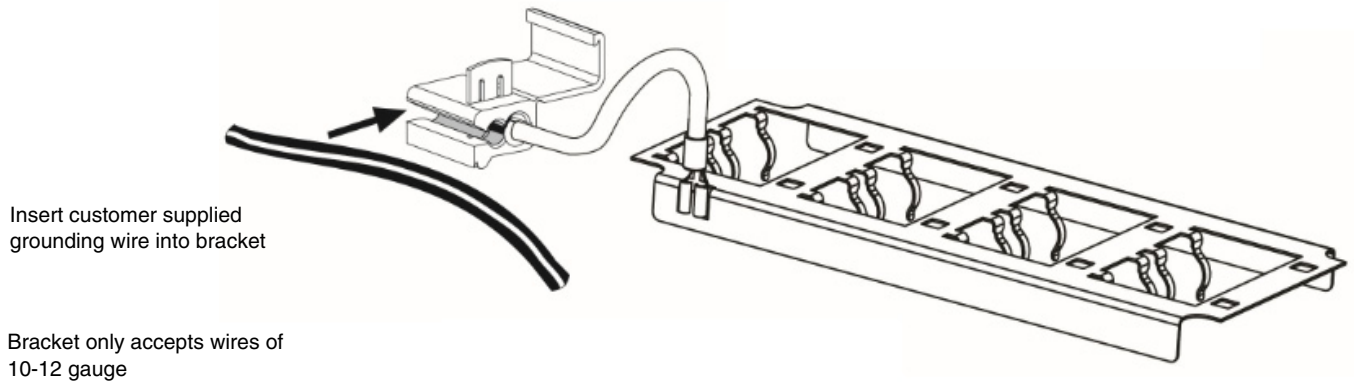


OPTIONAL STEPS - SHIELDING WITHOUT DIN RAIL

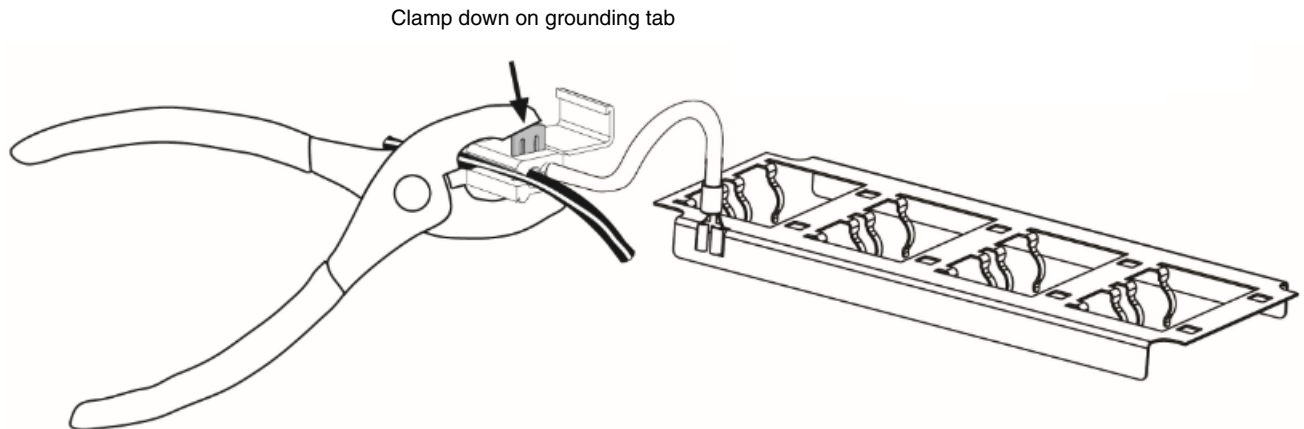
8



9

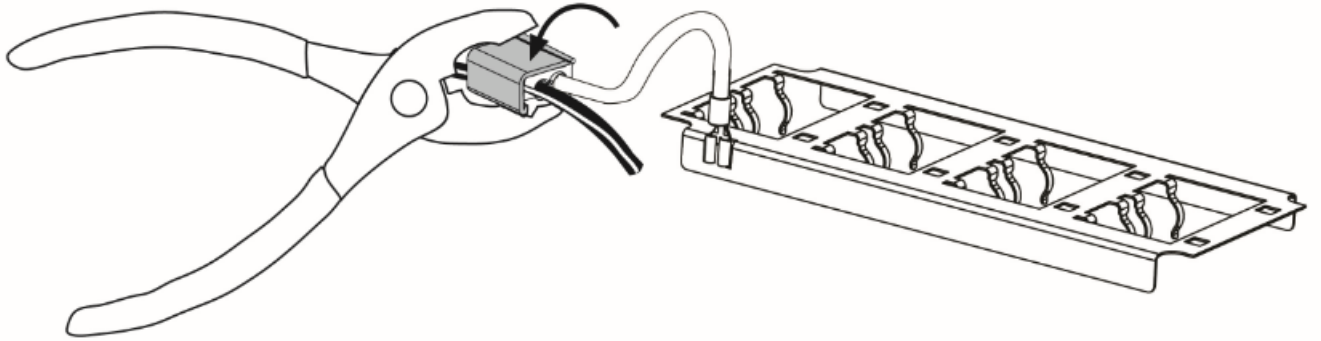


10



11

Close bracket cover until latch engages



For Instructions in Local Languages
and Technical Support:

www.panduit.com/resources/install_maintain.asp

PANDUIT

www.panduit.com

E-mail:
techsupport@panduit.com

Phone:
866-405-6654