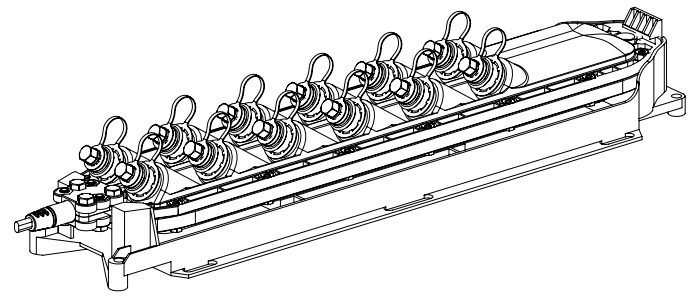
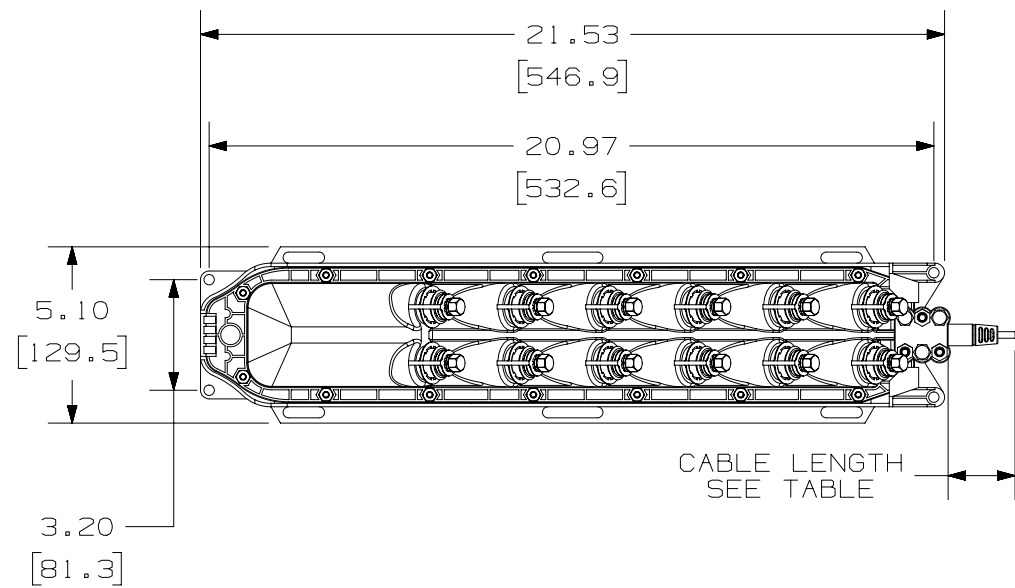


THIS COPY IS PROVIDED ON A RESTRICTED BASIS AND IS NOT TO BE USED IN ANY WAY DETRIMENTAL TO THE INTERESTS OF PANDUIT CORP.

- NOTES:
1. VISIT OUR ON-LINE CATALOG AT WWW.PANDUIT.COM FOR A LIST OF CURRENT PARTS APPLICABLE FOR USE WITH THIS PRODUCT.
 2. DIMENSIONS IN [] ARE METRIC.
 3. ALL MATERIALS AND COMPONENTS USED MEET THE MATERIAL RESTRICTIONS OF RoHS (EUROPEAN DIRECTIVE 2011/65/EU ON THE RESTRICTION OF HAZARDOUS SUBSTANCES) AS PROPOSED BY THE RoHS TECHNICAL ADAPTATION COMMITTEE.
 4. WEIGHT: 5.093 lb (2.31kg) WITHOUT CABLE
 5. PART INCLUDES:
1- ENCLOSURE AND UNIVERSAL MOUNTING BRACKET HARDENED AND GASKETED PLASTIC
 6. DISTRIBUTION TYPE: 12 PORTS
 7. MOUNTING: HARDWARE/PEDESTAL/POLE/STRAND
 8. PORT TYPE: HARDENED FULL SIZE (SC/APC)



PANDUIT PART NUMBER	DESCRIPTION
P-MST-12D-200	FIBER OPTIC MULTI PORT SERVICE TERMINAL, 12-PORT, NON-TONEABLE, 200ft
P-MST-12D-500	FIBER OPTIC MULTI PORT SERVICE TERMINAL, 12 PORT, NON-TONEABLE, 500ft
P-MST-12T-200	FIBER OPTIC MULTI PORT SERVICE TERMINAL, 12 PORT, TONEABLE, 200ft
P-MST-12T-500	FIBER OPTIC MULTI PORT SERVICE TERMINAL, 12 PORT, TONEABLE, 500ft

PART NUMBER		SEE TABLE	
TITLE		SEE TABLE	
CUSTOMER DRAWING			
ITEM REVISION NAME		01295NAG/02	
DATASET FILE NAME		01295NAG_DC/02A	
MATERIAL		SEE NOTE 5	
DRAWN BY		BJN	
DATE		3-19-24	
CHK		CR-RLM	
SCALE		NONE	
DRAWING NUMBER		01295NAG-DC	
SHEET 1 OF 1		A	

A-SIZE CUSTOMER

REV	DATE	BY	CHK	APR	DESCRIPTION	ECN
02A	4-1-24	BJN	CR-RLM	OKH	PART NUMBER CHANGE FROM PST TO P-MST.	01295NAG-DC
01A	3-19-24	BJN	CR-RLM	OKH	INITIAL RELEASE	01295NAG-DC