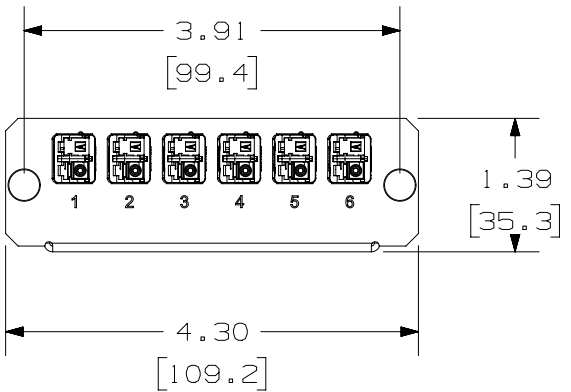
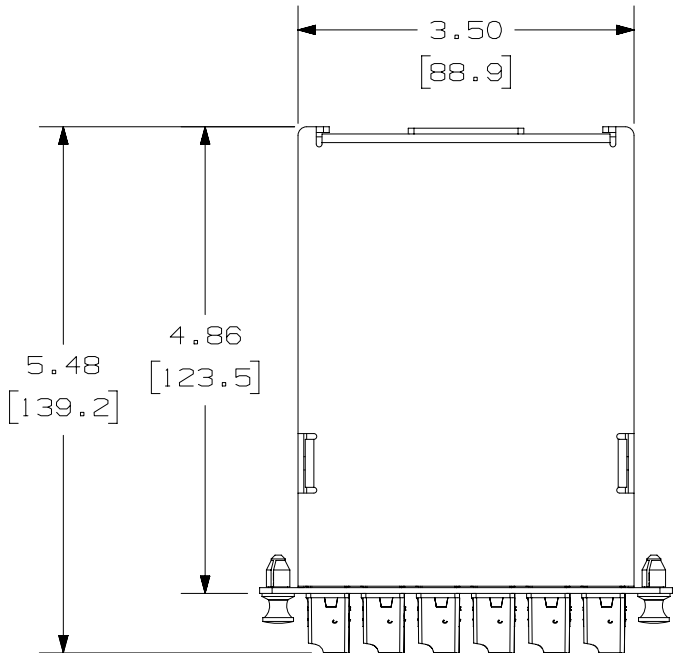
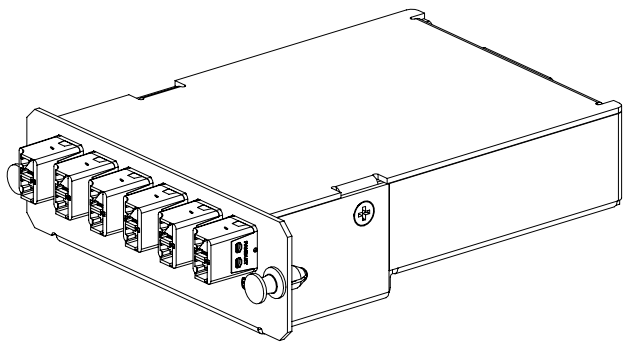


THIS COPY IS PROVIDED ON A RESTRICTED BASIS AND IS NOT TO BE USED IN ANY WAY DETRIMENTAL TO THE INTERESTS OF PANDUIT CORP.



NOTES:

1. SPLICE CASSETTE IS COMPATIBLE WITH OPTI-COM PANELS AND ENCLOSURES. VISIT WWW.PANDUIT.COM FOR ADDITIONAL INFORMATION.
2. DIMENSIONS IN [] ARE METRIC.
3. ALL MATERIALS AND COMPONENTS USED MEET THE MATERIAL RESTRICTIONS OF RoHS (EUROPEAN DIRECTIVE 2011/65/EU ON THE RESTRICTION OF HAZARDOUS SUBSTANCES) AS PROPOSED BY THE RoHS TECHNICAL ADAPTATION COMMITTEE.
4. PART INCLUDES:
 - 1- BASE
 - 1- COVER
 - 6- SHUTTERED LC ADAPTERS
 - 12- 1 METER PIGTAIL OR 1 RIBBON PIGTAIL
 - 1- PERFORMANCE LABEL
 - 1- SPLICE HOLDER WITH TAPE
 - 3- COVER MOUNTING SCREW
 - 4- PLT1.5I-M CABLE TIE
 - 4- 1" SECTION OF GROMMET EDGING
 - 12- SPLICE PROTECTOR OR 1 RIBBON SPLICE PROTECTOR



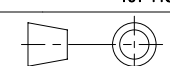
PART NUMBER		SEE TABLE, SHEET 2		
TITLE				
OPTI-COM SPLICE CASSETTE, 6 DUPLEX LC				
CUSTOMER DRAWING				
ITEM REVISION NAME		10F113JD/03		
DATASET FILE NAME		10F113JD_DC/03A		
MATERIAL		BLACK POWDER COATED ALUMINUM		
DRAWING NUMBER		10F113JD-DC		
DRAWN BY		DATE	CHK	SCALE
JSP		2/5/20	WJM	NONE
SHEET 1 OF 2		SIZE		
A		A		

A-SIZE CUSTOMER

REV	DATE	BY	CHK	APR	DESCRIPTION	ECN
03A	8/25/22	JSP	WJM	EJH	A. ADDED OM1 AND OM5 P/N'S	10F113JD-DC
01A	2/5/20	JSP	WJM	EJH	INITIAL RELEASE	10F113JD-DC

THIS COPY IS PROVIDED ON A RESTRICTED BASIS AND IS NOT TO BE USED IN ANY WAY DETRIMENTAL TO THE INTERESTS OF PANDUIT CORP.

PART NUMBER	DESCRIPTION
FCS9N-12-10R	OPTI-COM OS2 SPLICE CASSETTE, DUPLEX LC, PRELOADED WITH 12-FIBER RIBBON PIGTAIL
FCS9N-12-10P	OPTI-COM OS2 SPLICE CASSETTE, DUPLEX LC, PRELOADED WITH 12 PIGTAILS
FCS9N-12-LAR	OPTI-COM OS2 SPLICE CASSETTE, DUPLEX LC/APC, PRELOADED WITH 12-FIBER RIBBON PIGTAIL
FCS9N-12-LAP	OPTI-COM OS2 SPLICE CASSETTE, DUPLEX LC/APC, PRELOADED WITH 12 PIGTAILS
FCS6N-12-10P	OPTI-COM OM1 SPLICE CASSETTE, DUPLEX LC, PRELOADED WITH 12 PIGTAILS
FCSZO-12-10R	OPTI-COM OM4 SPLICE CASSETTE, DUPLEX LC, PRELOADED WITH 12-FIBER RIBBON PIGTAIL
FCSZO-12-10P	OPTI-COM OM4 SPLICE CASSETTE, DUPLEX LC, PRELOADED WITH 12 PIGTAILS
FCSWO-12-10R	OPTI-COM OM5 SPLICE CASSETTE, DUPLEX LC, PRELOADED WITH 12-FIBER RIBBON PIGTAIL
FCSWO-12-10P	OPTI-COM OM5 SPLICE CASSETTE, DUPLEX LC, PRELOADED WITH 12 PIGTAILS

PART NUMBER		SEE TABLE	
TITLE			
OPTI-COM SPLICE CASSETTE, 6 DUPLEX LC			
CUSTOMER DRAWING			
ITEM REVISION NAME		10F113JD/03	
DATASET FILE NAME		10F113JD_DC/03A	
		THIRD ANGLE PROJECTION	
MATERIAL		DRAWING NUMBER	
BLACK POWDER COATED ALUMINUM		10F113JD-DC	
DRAWN BY	DATE	CHK	SCALE
JSP	2/5/20	WJM	NONE
SHEET 2 OF 2			SIZE
			A

A-SIZE CUSTOMER

REV	DATE	BY	CHK	APR	DESCRIPTION	ECN
					SEE SHEET 1	