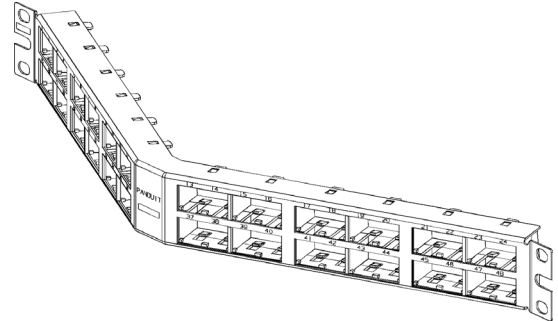


CPP48HDWY / *CPP48HDEW** /
CPP48HDVNSWBL**



CPPA48HDWY / *CPPA48HDEW** /
CPPA48HDVNSWBL**

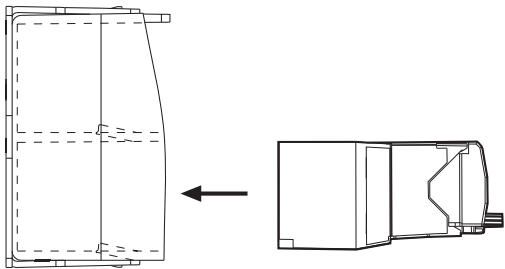
Note: Rear mounted faceplates are not intended for removal.

* The enhance label versions of this panel will only accept Mini-Com RJ45 Copper Connectors. Fiber and AV modules will not fit correctly to accept their mating plug.

** Available in black (BL) and white (WH) color

Module Installation / Removal - (screwdriver required)

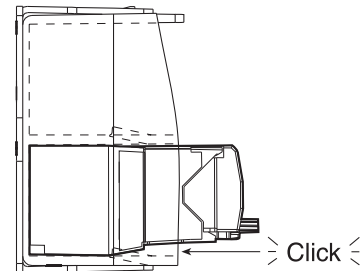
1.



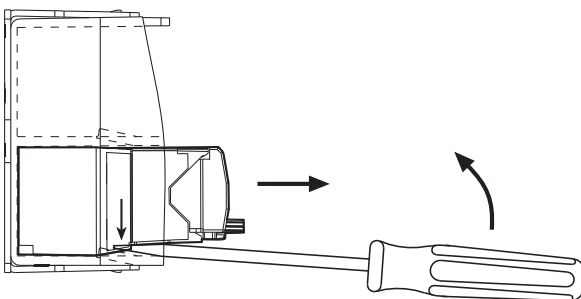
Straight-in mounting style

IMPORTANT: Module must be oriented properly.

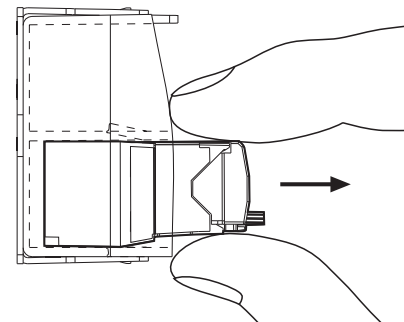
2.



3.

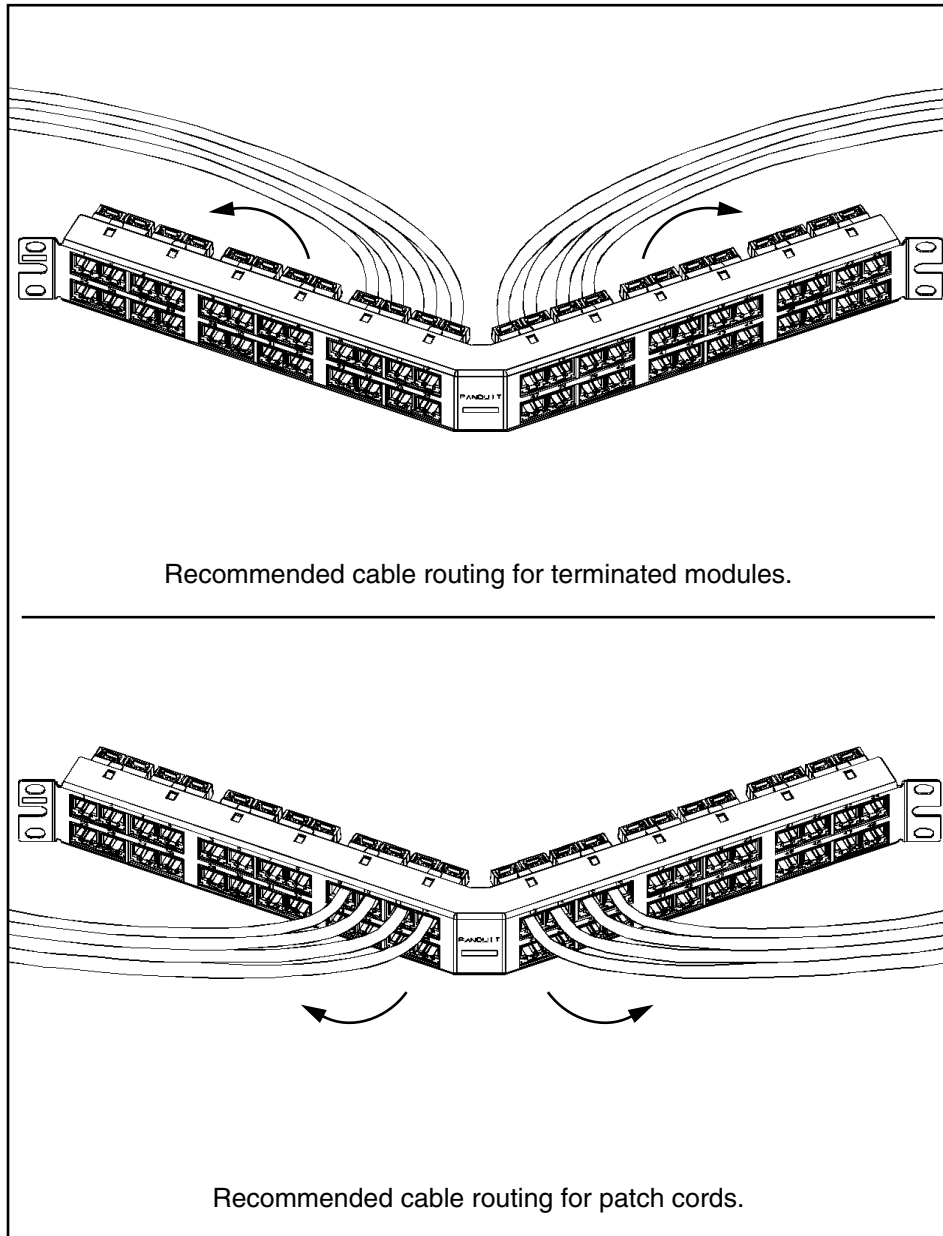


4.



Straight pull removal of module

All cables should flow directly into vertical cable managers on the corresponding side of the Angled Panel.



For Instructions in Local Languages
and Technical Support:

www.panduit.com/resources/install_maintain.asp

PANDUIT

www.panduit.com

E-mail:
tech.support@panduit.com

Fax:
(866) 405-6654