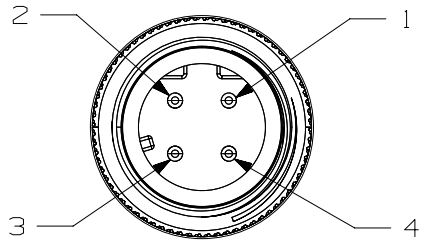


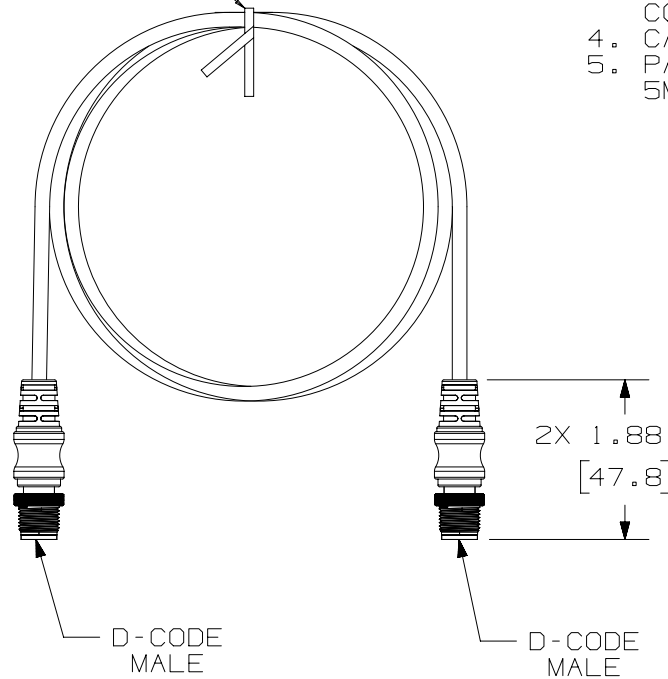
THIS COPY IS PROVIDED ON A RESTRICTED BASIS AND IS NOT TO BE USED IN ANY WAY DETRIMENTAL TO THE INTERESTS OF PANDUIT CORP.

WIRE MAPPING



- 1 = WHITE/ORANGE (+TX)
- 2 = WHITE/GREEN (+RX)
- 3 = ORANGE (-TX)
- 4 = GREEN (-RX)

TWIST TIE



NOTES:

1. PART NUMBER: ICD11T2NTL*M
2. DIMENSIONS IN PARENTHESES ARE IN METRIC.
3. SEE CURRENT CATALOG FOR VARIOUS APPLICATIONS AND TO INDICATE COLOR AND OR PACKAGE QUANTITY.
4. CABLE MEETS CATEGORY 5E REQUIREMENTS.
5. PART AVAILABLE IN 0.5M, 1M, 2M, 3M, 5M, 10M, 15M, 20M LENGTH.

TITLE ICD11T2NTL*M M12 MALE-MALE D-CODE, STRAIGHT, UTP, TPE, TEAL CUSTOMER DRAWING										
ITEM REVISION NAME 00396ECF/00					PANDUIT					
DATASET FILE NAME 00396ECF_DC/00A										
MATERIAL N/A					DRAWING NUMBER 00396ECF - DC					
THIRD ANGLE PROJECTION					SHEET 1 OF 1					
DRAWN BY JBO					DATE 6/4/19		CHK DAJP		SCALE NONE	

A-SIZE CUSTOMER

00A	6/4/19	JBO	DAJP	EOS	INITIAL RELEASE	ECN-INI-0015
REV	DATE	BY	CHK	APR	DESCRIPTION	ECN

2

1

2

1