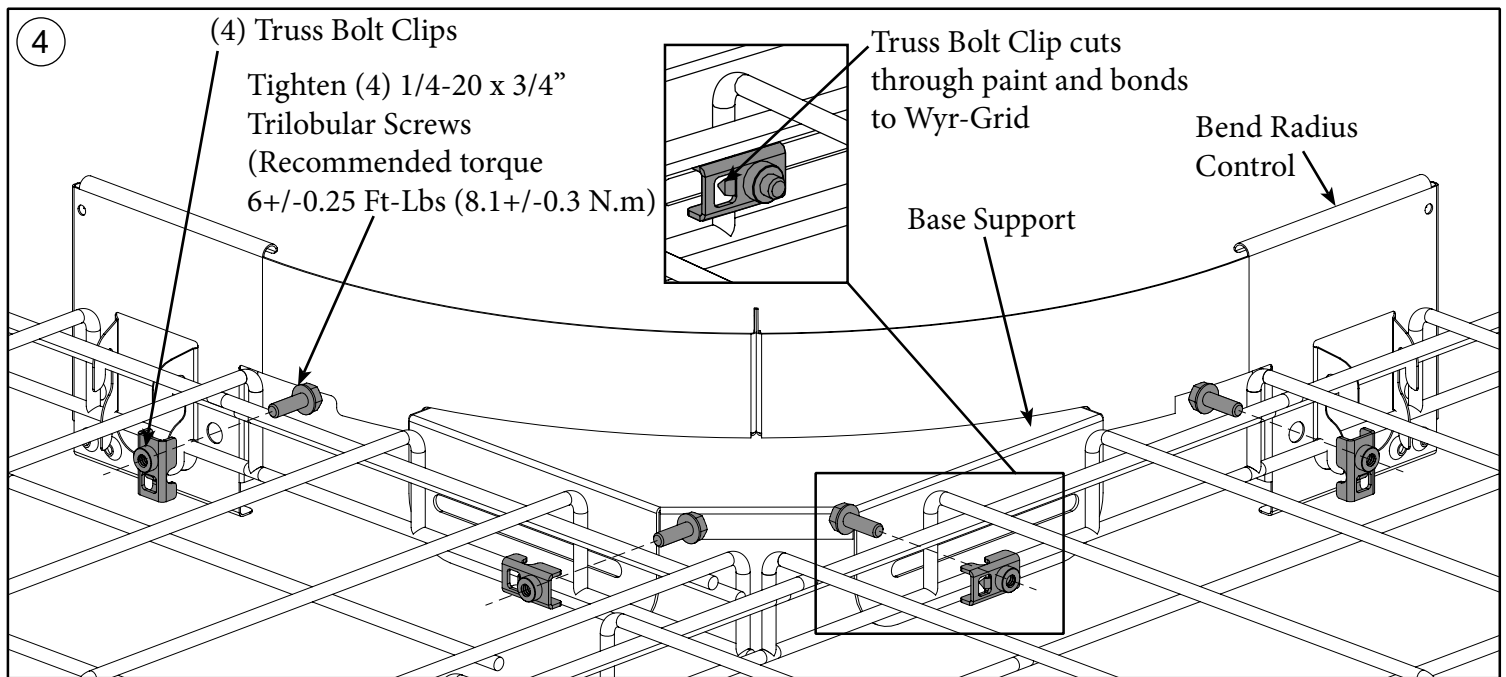
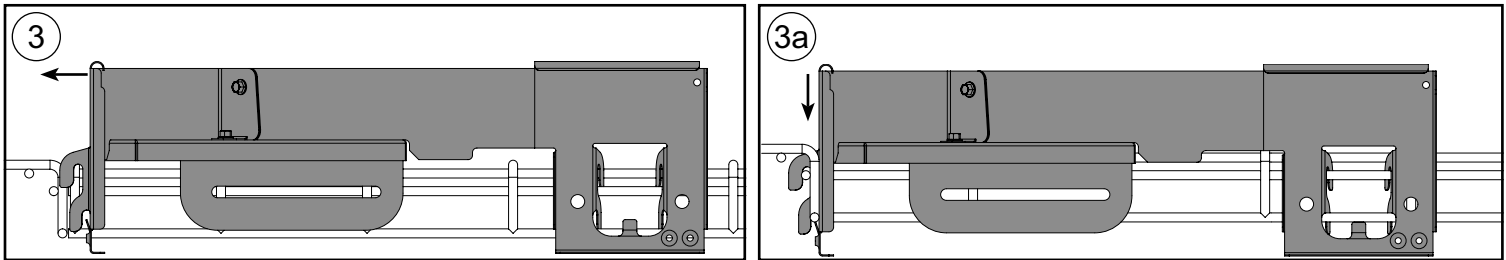
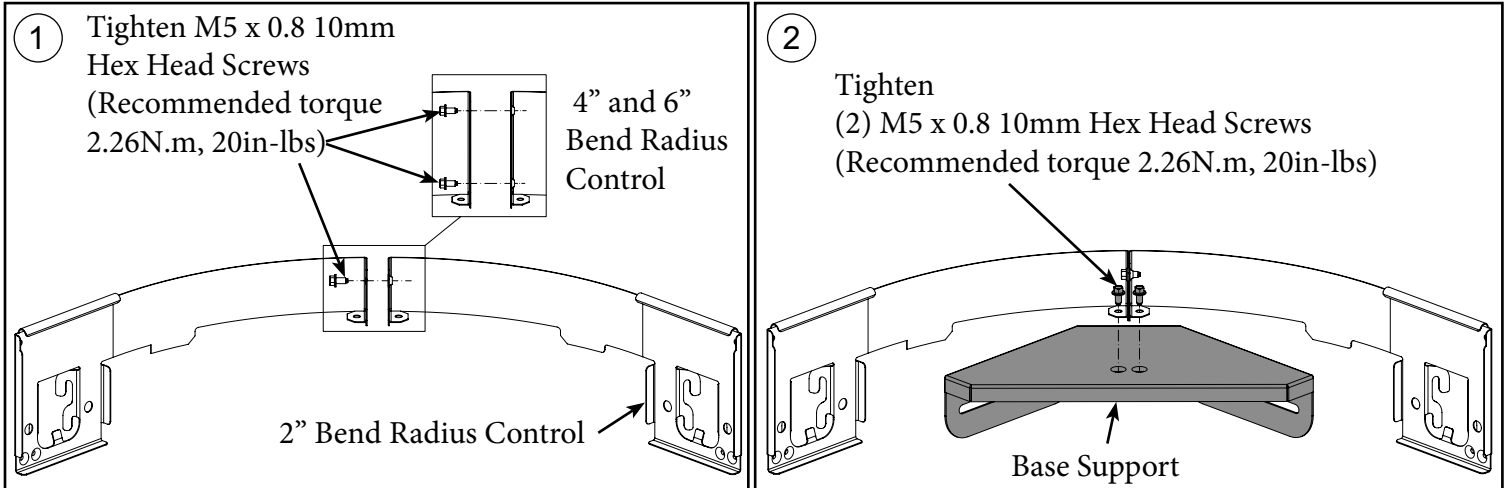


Assemble Bend Radius Control To Wyr-Grid

- Assemble left and right hand Side of Bend Radius Control using (1) 5mm x 10mm long Hex Head for WG12IBRC2** or (2) 5mm x 10mm long Hex Head Screws for WG12IBRC4** & WG12IBRC6**
- Assemble Lower Bend Radius Support to Bend Radius Control using (2) 5mm x 10mm long Hex Head Screws
- Position Bend Radius Control on Wyr-Grid
- Secure Bend Radius Control to Wyr-Grid using (4) Truss Bolt Clips & (4) 1/4-20 X 3/4" Trilobular Screws



For Instructions in Local Languages and Technical Support:

www.panduit.com/resources/install_maintain.asp

PANDUIT

www.panduit.com

E-mail: techsupport@panduit.com

Phone: 866-405-6654