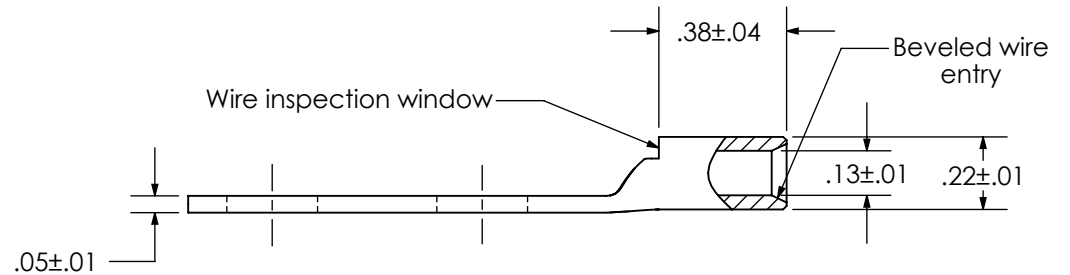
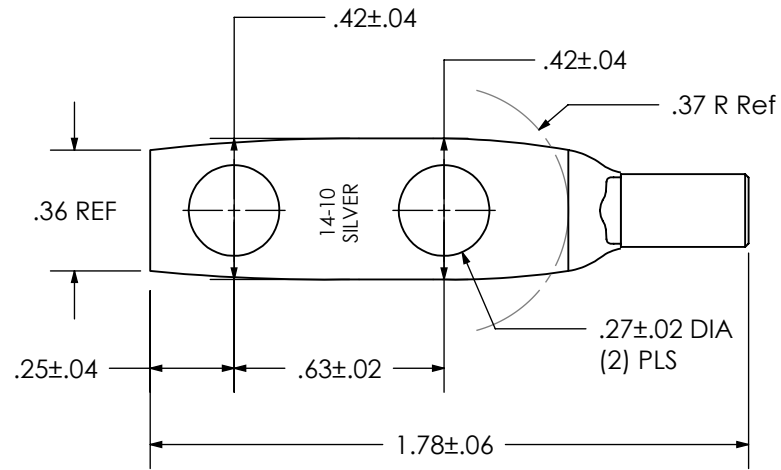


THIS COPY IS PROVIDED ON A RESTRICTED BASIS AND IS NOT TO BE USED IN ANY WAY DETRIMENTAL TO THE INTERESTS OF PANDUIT CORP.

Material	High Conductivity Seamless Copper Tube
Plating	Min .000050" Nickel underplate, Min .000200" Silver plating
Wire Size	14 - 10 AWG STR, 12 - 10 AWG SOL
Wire Type	Stranded Copper; Class B: Compact, Compressed or Concentric, Class C: Concentric
Wire Strip Length	7/16 in.
Stud Size	1/4 in.
UL Listed Wire Connector	Yes, for applications up to 35kv. Consult cable manufacturer for voltage stress relief instructions with applications greater than 2000 volts.
UL Temperature Rating	90° C
C.S.A Certified Wire Connector	N/A
Panduit Color Code on Barrel	N/A
Panduit Die Index No. on Barrel	N/A
Alternate Industry Die Index No. () on Barrel	N/A



NOTE: DIMENSIONS AND TOLERANCES ARE IN INCHES

PANDUIT CORP. TINLEY PARK, ILLINOIS

LCD10-14ANS-L
Copper Lug - Two-Hole, Standard Barrel

06	6-23	JHNU	DAEI	MRWA	B. REVISED TONGUE SHAPE A. ADDED TONGUE WIDTH DIMENSIONS	129336
REV	DATE	BY	CHK	APP	DESCRIPTION	ECN

SCALE	N/A	DRAWING NO / CAD FILE	LCD10-14ANS-CUST
-------	-----	-----------------------	------------------