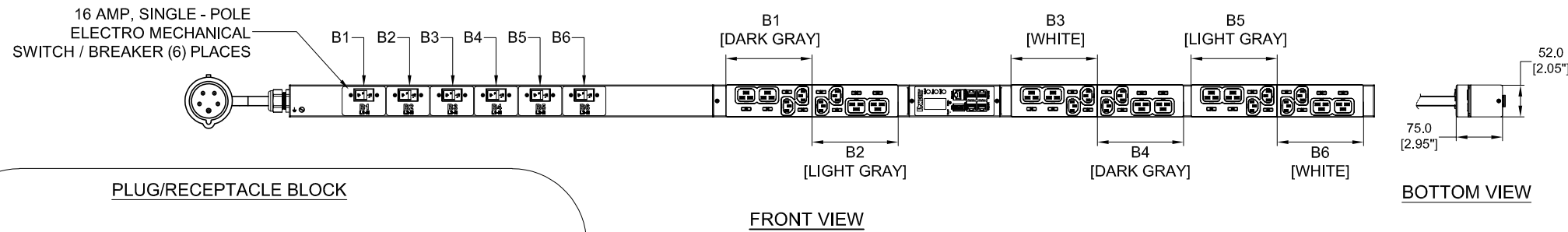
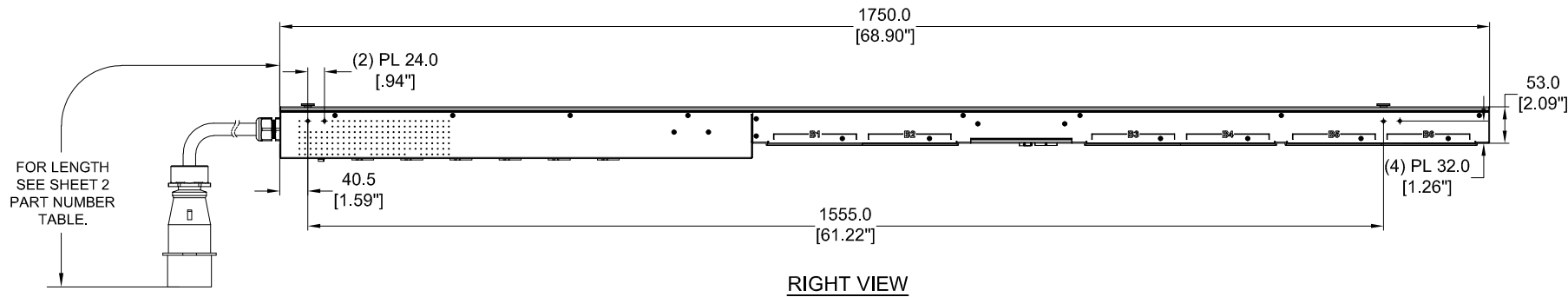
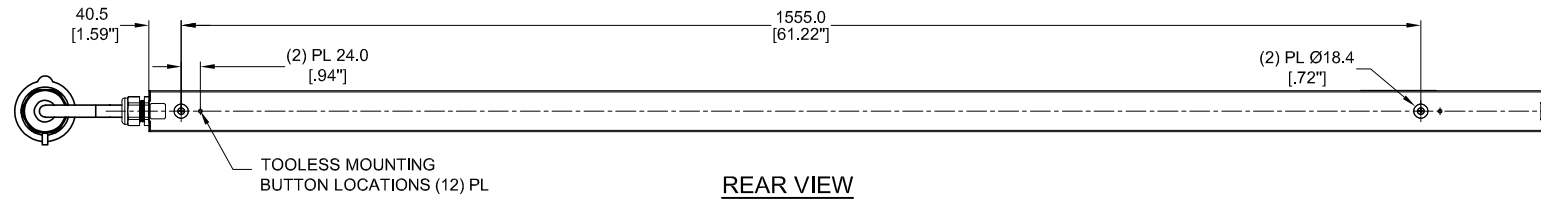
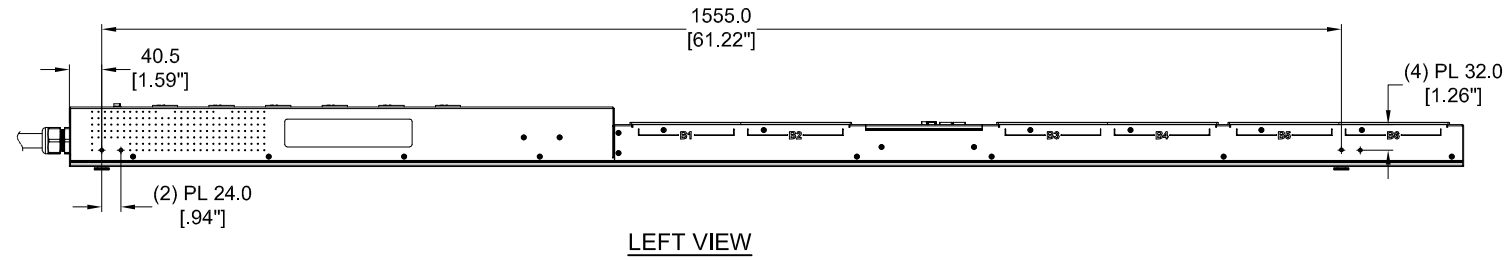


THIS COPY IS PROVIDED ON A RESTRICTED BASIS AND IS NOT TO BE USED IN ANY WAY DETRIMENTAL TO THE INTERESTS OF PANDUIT CORP.

PANDUIT P/N	WEIGHT
P24D43M-XYZ	SEE SHEET 2



SPECIFICATION:

1. STANDARD:

UNIT TYPE:	MONITORED INPUT
ORIENTATION:	VERTICAL, 0U FULL
OUTLET QTY&TYPE:	(12) C13, (12) C19
INPUT VOLTAGE:	200-240/346-415VAC
INPUT CURRENT:	32A
BREAKER QTY&TYPE:	(6) 16AMP, SINGLE-POLE
INPUT PHASE:	THREE-PHASE WYE
RATED POWER:	22.0kVA
INPUT PLUG:	IEC 60309 3P+N+E 6H 32A
INPUT POWER CORD:	SEE SHEET 2 FOR PART NUMBER TABLE
REGULATORY STANDARD:	RoHS COMPLIANT

2. ADDITIONAL:

NONE

3. ACCESSORIES:

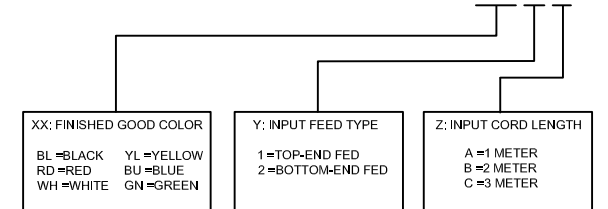
(1) QUICK-START GUIDE

NOTES:

- PRIMARY DIMENSIONS ARE IN MILLIMETERS. SECONDARY DIMENSION ARE IN [INCHES]
- INSTALLATION SHALL COMPLY WITH ALL APPLICABLE NATIONAL, STATE, AND LOCAL CODES
- VISIT OUR ON-LINE CATALOG AT WWW.PANDUIT.COM FOR A CURRENT LIST OF PRODUCTS APPLICABLE FOR USE WITH THIS PART
- FOR FULL PRODUCT FUNCTIONALITY REFER TO USER MANUAL
- DRAWING VIEWS SHOW THE INPUT CORD IN THE "TOP END FED" CONFIGURATION

IDENTIFICATION

FOR FINISHED GOOD PART NUMBER & DESCRIPTION TABLE SEE SHEET 2 CONFIGURABLE PART NUMBERS: P24D43M-XX Y Z



PLUG/RECEPTACLE BLOCK



PLUG
IEC 60309, 4P 5W, 6H
IP44 (SPASHPROOF)
32A, 346-415V MAX RATED INPUT



RECEPTACLES
IEC 60320/C19
16A, 250V MAX RATED OUTPUT



RECEPTACLES
IEC 60320/C13
10A, 250V MAX RATED OUTPUT

REV	DATE	BY	CHK	APR	DESCRIPTION	ECN
02A	06/07/2018	H.XU	MIM	JAWI	ADDED SHEET 2 WITH CONFIGURABLE PART NUMBER TABLE AND DESCRIPTION UPDATED IDENTIFICATION TO INCLUDE CONFIGURABLE OPTION DE-CODER UPDATED CIRCUIT BREAKER LABELS WITH ROTATED TEXT	P24D43M
01A	07/27/2017	GEORGE	MIM	EDM	INITIAL RELEASE	P24D43M

WE ASK THAT YOU CHECK FULLY THE DIMENSIONS, NOTES, AND SIGN THE CLIENT SIGNATURE BOX. THE JOB WILL NOT PROGRESS WITHOUT SIGNED APPROVAL. PLEASE DO NOT DELAY IN RETURNING PROOF AS IT WILL AFFECT DELIVERY		SIGN
		DATE
		PRINT
TITLE INTELLIGENT SERIES PDU P24D43M-XYZ CUSTOMER DRAWING		
ITEM REVISION NAME:		
DATASHEET FILE NAME:		
UNLESS OTHERWISE SPECIFIED DIMENSIONAL TOLERANCE ARE: mm [IN]		MATERIAL/COLOR:
Tolerance(mm) 0<L<50 ±0.5 50<L<250 ±1.0 250<L<500 ±1.5 500<L<1000 ±2.5 1000<L<2000 ±4.0		N/A
THIRD ANGLE PROJECTION		DRAWING NUMBER: P24D43M_DC
DRAWN BY GEORGE	DATE 07/27/2017	CHK SEAN
SCALE NONE	SHT 1 OF 2	
		SCALE B

2



1

THIS COPY IS PROVIDED ON A RESTRICTED BASIS AND IS NOT TO BE USED IN ANY WAY DETRIMENTAL TO THE INTERESTS OF PANDUIT CORP.

FINISHED GOOD PART NUMBER	FINISHED GOOD DESCRIPTION	COLOR	INPUT CORD LENGTH	WEIGHT
P24D43M	VERTICAL,(12) C13,(12) C19,MONITORED INPUT, 200-240/346-415V/32A/3 PHASE WYE, TOP-END FED, 3 METER INPUT CORD, BLACK	BLACK (RAL 9005)	3M(+254MM-127MM) 10'(+10"/-5")	7.9kg
P24D43M-BL1A	VERTICAL,(12) C13,(12) C19,MONITORED INPUT, 200-240/346-415V/32A/3 PHASE WYE, TOP-END FED, 1 METER INPUT CORD, BLACK	BLACK (RAL 9005)	1M(+178MM-89MM) 3.3'(+7"/-3.5")	6.5kg
P24D43M-BL1B	VERTICAL,(12) C13,(12) C19,MONITORED INPUT, 200-240/346-415V/32A/3 PHASE WYE, TOP-END FED, 2 METER INPUT CORD, BLACK	BLACK (RAL 9005)	2M(+178MM-89MM) 6.5'(+7"/-3.5")	7.2kg
P24D43M-RD1A	VERTICAL,(12) C13,(12) C19,MONITORED INPUT, 200-240/346-415V/32A/3 PHASE WYE, TOP-END FED, 1 METER INPUT CORD, RED	RED (RAL 3020)	1M(+178MM-89MM) 3.3'(+7"/-3.5")	6.5kg
P24D43M-RD1B	VERTICAL,(12) C13,(12) C19,MONITORED INPUT, 200-240/346-415V/32A/3 PHASE WYE, TOP-END FED, 2 METER INPUT CORD, RED	RED (RAL 3020)	2M(+178MM-89MM) 6.5'(+7"/-3.5")	7.2kg
P24D43M-RD1C	VERTICAL,(12) C13,(12) C19,MONITORED INPUT, 200-240/346-415V/32A/3 PHASE WYE, TOP-END FED, 3 METER INPUT CORD, RED	RED (RAL 3020)	3M(+254MM-127MM) 10'(+10"/-5")	7.9kg
P24D43M-WH1A	VERTICAL,(12) C13,(12) C19,MONITORED INPUT, 200-240/346-415V/32A/3 PHASE WYE, TOP-END FED, 1 METER INPUT CORD, WHITE	WHITE (RAL 9003)	1M(+178MM-89MM) 3.3'(+7"/-3.5")	6.5kg
P24D43M-WH1B	VERTICAL,(12) C13,(12) C19,MONITORED INPUT, 200-240/346-415V/32A/3 PHASE WYE, TOP-END FED, 2 METER INPUT CORD, WHITE	WHITE (RAL 9003)	2M(+178MM-89MM) 6.5'(+7"/-3.5")	7.2kg
P24D43M-WH1C	VERTICAL,(12) C13,(12) C19,MONITORED INPUT, 200-240/346-415V/32A/3 PHASE WYE, TOP-END FED, 3 METER INPUT CORD, WHITE	WHITE (RAL 9003)	3M(+254MM-127MM) 10'(+10"/-5")	7.9kg
P24D43M-YL1A	VERTICAL,(12) C13,(12) C19,MONITORED INPUT, 200-240/346-415V/32A/3 PHASE WYE, TOP-END FED, 1 METER INPUT CORD, YELLOW	YELLOW (RAL 1023)	1M(+178MM-89MM) 3.3'(+7"/-3.5")	6.5kg
P24D43M-YL1B	VERTICAL,(12) C13,(12) C19,MONITORED INPUT, 200-240/346-415V/32A/3 PHASE WYE, TOP-END FED, 2 METER INPUT CORD, YELLOW	YELLOW (RAL 1023)	2M(+178MM-89MM) 6.5'(+7"/-3.5")	7.2kg
P24D43M-YL1C	VERTICAL,(12) C13,(12) C19,MONITORED INPUT, 200-240/346-415V/32A/3 PHASE WYE, TOP-END FED, 3 METER INPUT CORD, YELLOW	YELLOW (RAL 1023)	3M(+254MM-127MM) 10'(+10"/-5")	7.9kg
P24D43M-BU1A	VERTICAL,(12) C13,(12) C19,MONITORED INPUT, 200-240/346-415V/32A/3 PHASE WYE, TOP-END FED, 1 METER INPUT CORD, BLUE	BLUE (RAL 5005)	1M(+178MM-89MM) 3.3'(+7"/-3.5")	6.5kg
P24D43M-BU1B	VERTICAL,(12) C13,(12) C19,MONITORED INPUT, 200-240/346-415V/32A/3 PHASE WYE, TOP-END FED, 2 METER INPUT CORD, BLUE	BLUE (RAL 5005)	2M(+178MM-89MM) 6.5'(+7"/-3.5")	7.2kg
P24D43M-BU1C	VERTICAL,(12) C13,(12) C19,MONITORED INPUT, 200-240/346-415V/32A/3 PHASE WYE, TOP-END FED, 3 METER INPUT CORD, BLUE	BLUE (RAL 5005)	3M(+254MM-127MM) 10'(+10"/-5")	7.9kg
P24D43M-GN1A	VERTICAL,(12) C13,(12) C19,MONITORED INPUT, 200-240/346-415V/32A/3 PHASE WYE, TOP-END FED, 1 METER INPUT CORD, GREEN	GREEN (RAL 6001)	1M(+178MM-89MM) 3.3'(+7"/-3.5")	6.5kg
P24D43M-GN1B	VERTICAL,(12) C13,(12) C19,MONITORED INPUT, 200-240/346-415V/32A/3 PHASE WYE, TOP-END FED, 2 METER INPUT CORD, GREEN	GREEN (RAL 6001)	2M(+178MM-89MM) 6.5'(+7"/-3.5")	7.2kg
P24D43M-GN1C	VERTICAL,(12) C13,(12) C19,MONITORED INPUT, 200-240/346-415V/32A/3 PHASE WYE, TOP-END FED, 3 METER INPUT CORD, GREEN	GREEN (RAL 6001)	3M(+254MM-127MM) 10'(+10"/-5")	7.9kg
P24D43M-BL2A	VERTICAL,(12) C13,(12) C19,MONITORED INPUT, 200-240/346-415V/32A/3 PHASE WYE, BOTTOM-END FED, 1 METER INPUT CORD, BLACK	BLACK (RAL 9005)	1M(+178MM-89MM) 3.3'(+7"/-3.5")	6.5kg
P24D43M-BL2B	VERTICAL,(12) C13,(12) C19,MONITORED INPUT, 200-240/346-415V/32A/3 PHASE WYE, BOTTOM-END FED, 2 METER INPUT CORD, BLACK	BLACK (RAL 9005)	2M(+178MM-89MM) 6.5'(+7"/-3.5")	7.2kg
P24D43M-BL2C	VERTICAL,(12) C13,(12) C19,MONITORED INPUT, 200-240/346-415V/32A/3 PHASE WYE, BOTTOM-END FED, 3 METER INPUT CORD, BLACK	BLACK (RAL 9005)	3M(+254MM-127MM) 10'(+10"/-5")	7.9kg
P24D43M-RD2A	VERTICAL,(12) C13,(12) C19,MONITORED INPUT, 200-240/346-415V/32A/3 PHASE WYE, BOTTOM-END FED, 1 METER INPUT CORD, RED	RED (RAL 3020)	1M(+178MM-89MM) 3.3'(+7"/-3.5")	6.5kg
P24D43M-RD2B	VERTICAL,(12) C13,(12) C19,MONITORED INPUT, 200-240/346-415V/32A/3 PHASE WYE, BOTTOM-END FED, 2 METER INPUT CORD, RED	RED (RAL 3020)	2M(+178MM-89MM) 6.5'(+7"/-3.5")	7.2kg
P24D43M-RD2C	VERTICAL,(12) C13,(12) C19,MONITORED INPUT, 200-240/346-415V/32A/3 PHASE WYE, BOTTOM-END FED, 3 METER INPUT CORD, RED	RED (RAL 3020)	3M(+254MM-127MM) 10'(+10"/-5")	7.9kg
P24D43M-WH2A	VERTICAL,(12) C13,(12) C19,MONITORED INPUT, 200-240/346-415V/32A/3 PHASE WYE, BOTTOM-END FED, 1 METER INPUT CORD, WHITE	WHITE (RAL 9003)	1M(+178MM-89MM) 3.3'(+7"/-3.5")	6.5kg
P24D43M-WH2B	VERTICAL,(12) C13,(12) C19,MONITORED INPUT, 200-240/346-415V/32A/3 PHASE WYE, BOTTOM-END FED, 2 METER INPUT CORD, WHITE	WHITE (RAL 9003)	2M(+178MM-89MM) 6.5'(+7"/-3.5")	7.2kg
P24D43M-WH2C	VERTICAL,(12) C13,(12) C19,MONITORED INPUT, 200-240/346-415V/32A/3 PHASE WYE, BOTTOM-END FED, 3 METER INPUT CORD, WHITE	WHITE (RAL 9003)	3M(+254MM-127MM) 10'(+10"/-5")	7.9kg
P24D43M-YL2A	VERTICAL,(12) C13,(12) C19,MONITORED INPUT, 200-240/346-415V/32A/3 PHASE WYE, BOTTOM-END FED, 1 METER INPUT CORD, YELLOW	YELLOW (RAL 1023)	1M(+178MM-89MM) 3.3'(+7"/-3.5")	6.5kg
P24D43M-YL2B	VERTICAL,(12) C13,(12) C19,MONITORED INPUT, 200-240/346-415V/32A/3 PHASE WYE, BOTTOM-END FED, 2 METER INPUT CORD, YELLOW	YELLOW (RAL 1023)	2M(+178MM-89MM) 6.5'(+7"/-3.5")	7.2kg
P24D43M-YL2C	VERTICAL,(12) C13,(12) C19,MONITORED INPUT, 200-240/346-415V/32A/3 PHASE WYE, BOTTOM-END FED, 3 METER INPUT CORD, YELLOW	YELLOW (RAL 1023)	3M(+254MM-127MM) 10'(+10"/-5")	7.9kg
P24D43M-BU2A	VERTICAL,(12) C13,(12) C19,MONITORED INPUT, 200-240/346-415V/32A/3 PHASE WYE, BOTTOM-END FED, 1 METER INPUT CORD, BLUE	BLUE (RAL 5005)	1M(+178MM-89MM) 3.3'(+7"/-3.5")	6.5kg
P24D43M-BU2B	VERTICAL,(12) C13,(12) C19,MONITORED INPUT, 200-240/346-415V/32A/3 PHASE WYE, BOTTOM-END FED, 2 METER INPUT CORD, BLUE	BLUE (RAL 5005)	2M(+178MM-89MM) 6.5'(+7"/-3.5")	7.2kg
P24D43M-BU2C	VERTICAL,(12) C13,(12) C19,MONITORED INPUT, 200-240/346-415V/32A/3 PHASE WYE, BOTTOM-END FED, 3 METER INPUT CORD, BLUE	BLUE (RAL 5005)	3M(+254MM-127MM) 10'(+10"/-5")	7.9kg
P24D43M-GN2A	VERTICAL,(12) C13,(12) C19,MONITORED INPUT, 200-240/346-415V/32A/3 PHASE WYE, BOTTOM-END FED, 1 METER INPUT CORD, GREEN	GREEN (RAL 6001)	1M(+178MM-89MM) 3.3'(+7"/-3.5")	6.5kg
P24D43M-GN2B	VERTICAL,(12) C13,(12) C19,MONITORED INPUT, 200-240/346-415V/32A/3 PHASE WYE, BOTTOM-END FED, 2 METER INPUT CORD, GREEN	GREEN (RAL 6001)	2M(+178MM-89MM) 6.5'(+7"/-3.5")	7.2kg
P24D43M-GN2C	VERTICAL,(12) C13,(12) C19,MONITORED INPUT, 200-240/346-415V/32A/3 PHASE WYE, BOTTOM-END FED, 3 METER INPUT CORD, GREEN	GREEN (RAL 6001)	3M(+254MM-127MM) 10'(+10"/-5")	7.9kg

B

B

A

A

WE ASK THAT YOU CHECK FULLY THE DIMENSIONS, NOTES, AND SIGN THE CLIENT SIGNATURE BOX. THE JOB WILL NOT PROGRESS WITHOUT SIGNED APPROVAL. PLEASE DO NOT DELAY IN RETURNING PROOF AS IT WILL AFFECT DELIVERY.		SIGN
		DATE
		PRINT
TITLE INTELLIGENT SERIES PDU P24D43M-XYZ CUSTOMER DRAWING		
ITEM REVISION NAME:		
DATASHEET FILE NAME:		
UNLESS OTHERWISE SPECIFIED DIMENSIONAL TOLERANCE ARE: mm [IN]		MATERIAL/COLOR:
		N/A
Tolerance(mm) 0<L<50 ±0.5 50<L<250 ±1.0 250<L<500 ±1.5 500<L<1000 ±2.5 1000<L<2000 ±4.0		DRAWING NUMBER: P24D43M_DC
DRAWN BY	DATE	CHK
GEORGE	07/27/2017	SEAN
SCALE		SCALE
NONE		B
SHT 2 OF 2		

REV	DATE	BY	CHK	APR	DESCRIPTION	ECN
02A	06/07/2018	H.XU	MIM	JAWI	ADDED SHEET 2 WITH CONFIGURABLE PART NUMBER TABLE AND DESCRIPTION UPDATED IDENTIFICATION TO INCLUDE CONFIGURABLE OPTION DE-CODER UPDATED CIRCUIT BREAKER LABELS WITH ROTATED TEXT	P24D43M
01A	07/27/2017	GEORGE	MIM	EDM	INITIAL RELEASE	P24D43M

2



1