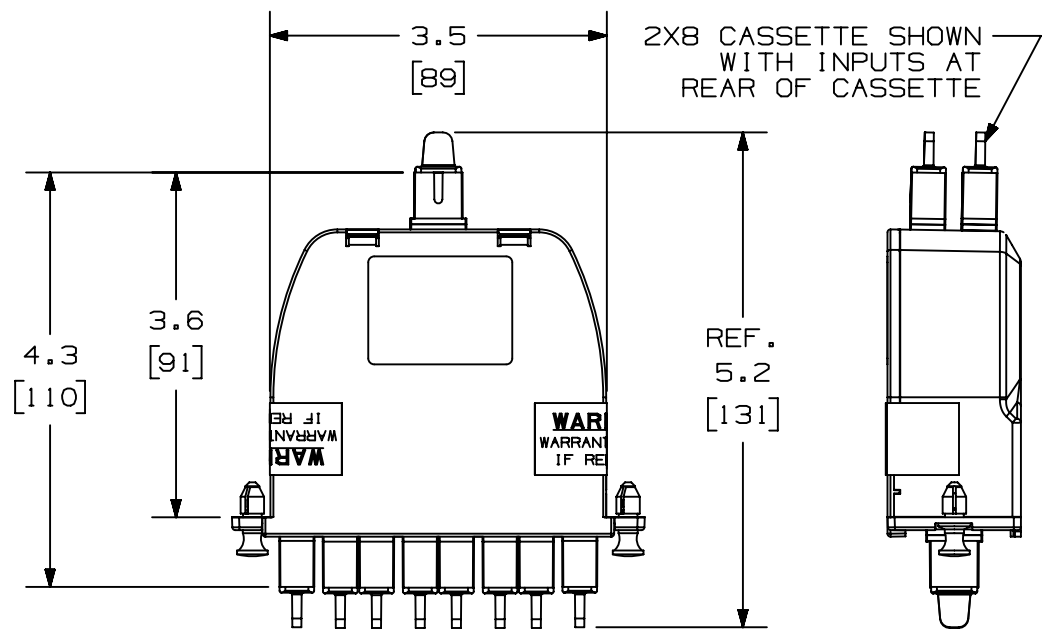
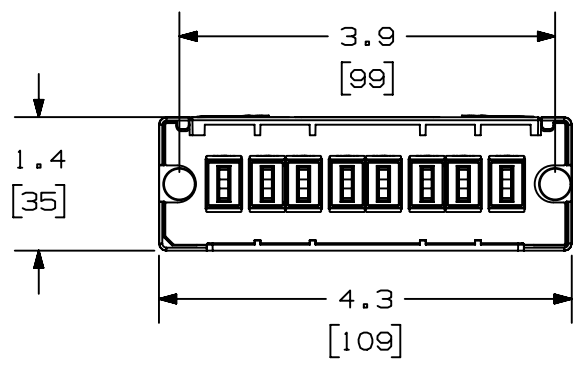
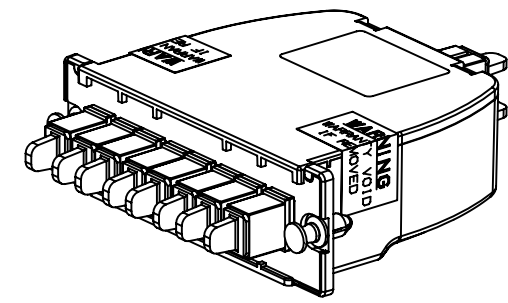
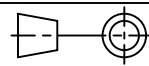


THIS COPY IS PROVIDED ON A RESTRICTED BASIS AND IS NOT TO BE USED IN ANY WAY DETRIMENTAL TO THE INTERESTS OF PANDUIT CORP.



- NOTES:
1. VISIT OUR ON-LINE CATALOG AT [WWW.PANDUIT.COM](http://WWW.PANDUIT.COM) FOR A LIST OF CURRENT PARTS APPLICABLE FOR USE WITH THIS PRODUCT.
  2. DIMENSIONS IN [ ] ARE METRIC.
  3. ALL MATERIALS AND COMPONENTS USED MEET THE MATERIAL RESTRICTIONS OF RoHS (EUROPEAN DIRECTIVE 2011/65/EU ON THE RESTRICTION OF HAZARDOUS SUBSTANCES) AS PROPOSED BY THE RoHS TECHNICAL ADAPTATION COMMITTEE.
  4. WEIGHT: 0.28 lb (.13 kg)

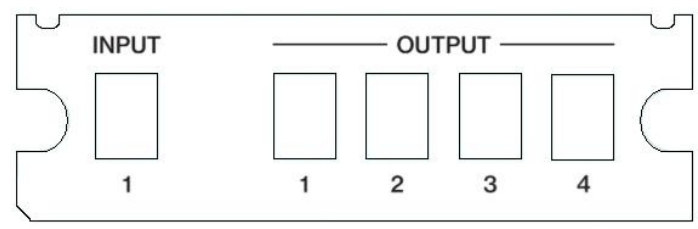
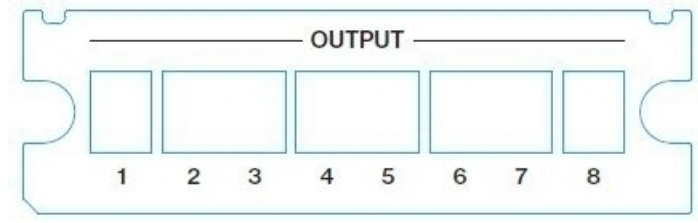
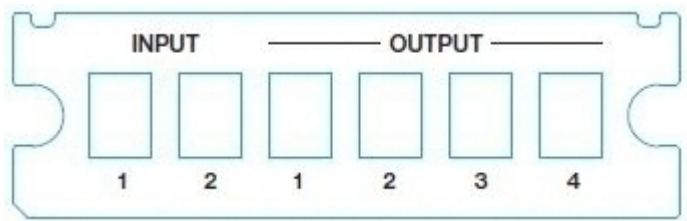


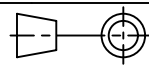
PART NUMBER		SEE TABLE ON SHEET 2		
TITLE		OPTICOM SC-APC SPLITTER CASSETTES, 1X4, 2X4, 1X8, 2X8 SPLIT RATIOS		
		CUSTOMER DRAWING		
ITEM REVISION NAME		01055EEA/02		
DATASET FILE NAME		01055EEA_DC/02A		
		THIRD ANGLE PROJECTION		
MATERIAL		PLASTIC		DRAWING NUMBER
				01055EEA-DC
REV	DATE	BY	CHK	SCALE
02A	12-15-23	TWV	KZU	1:2
DESCRIPTION		ECN	SHEET 1 OF 2	
RELEASED TO PRODUCTION		01055EEA-DC	A	

A-SIZE CUSTOMER

THIS COPY IS PROVIDED ON A RESTRICTED BASIS AND IS NOT TO BE USED IN ANY WAY DETRIMENTAL TO THE INTERESTS OF PANDUIT CORP.

PON SC-APC SPLITTER OPTICOM CASSETTES	
PART NUMBER	DESCRIPTION
FC29N-04-3G1X04	1x4 SC-APC PON SPLITTER CASSETTE - LOW DENSITY
FC29N-04-3G2X04	2x4 SC-APC PON SPLITTER CASSETTE - LOW DENSITY
FC29N-08-3G1X08	1x8 SC-APC PON SPLITTER CASSETTE - LOW DENSITY
FC29N-08-3G2X08	2x8 SC-APC PON SPLITTER CASSETTE - LOW DENSITY



PART NUMBER		SEE TABLE	
TITLE			
OPTICOM SC-APC SPLITTER CASSETTES, 1X4, 2X4, 1X8, 2X8 SPLIT RATIOS		CUSTOMER DRAWING	
ITEM REVISION NAME		01055EEA/02	
DATASET FILE NAME		01055EEA_DC/02A	
		THIRD ANGLE PROJECTION	
MATERIAL		PLASTIC	
DRAWING NUMBER		01055EEA-DC	
REV	DATE	BY	CHK
--	--	--	--
APR	DESCRIPTION		ECN
SEE SHEET ONE FOR REVISION CONTROL		--	
DRAWN BY		DATE	CHK
TWV		12-15-23	KZU
SCALE		1:2	
SHEET 2 OF 2		A	

A-SIZE CUSTOMER

B

B

A

A