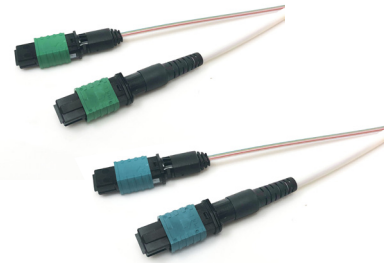


## specifications

---

MPO form factor fusion-splice connectors shall be TIA/EIA-604-5, FOCIS-5 compatible and include pre-polished fibers which can be fusion-spliced to 3.0mm round cable or bare ribbon cable. The connectors shall be composed of a multi-part assembly with integral fiber stubs, a front housing, rear assembly, spring, and integral splice protection sleeve plus other components as required by application. The connectors shall meet or exceed TIA/EIA-568-D.3 performance requirements. These splice-on connectors shall be compatible with Sumitomo brand splice machines.



## technical information

---

**Standards Requirements:** TIA/EIA-604-5, FOCIS-5; TIA/EIA-568-D.3

---

**Fiber Compatibility:** 9/125 $\mu$ m Singlemode for OS1/OS2, 50/125 $\mu$ m Multimode for OM2, OM3, and OM4

---

**Fiber Size and Type:** 3.0mm round or bare-ribbon

---

**Insertion Loss:** Singlemode fiber is 0.75dB IL; Multimode fiber is 0.35dB IL

---

**Return Loss:** Singlemode fiber is  $\geq$  60dB; Multimode fiber is  $\geq$  20dB

---

## key features and benefits

---

**Quick Installation** Connectors for round or ribbon cable install quickly and easily.

---

**Reliable Performance** Superior components mean better performing links with less down time.

---

**Superior Function** Factory pre-polished end-faces and precision components mean quality terminations.

---

## applications

---

MPO splice-on connectors enable rapid deployment of high performance field terminations for today's Data Center applications. Field termination allows for deployment of custom fiber links without added time and planning typically required for pre-terminated assemblies, while using the real-time splice loss calculations of typical fusion splice machines to enable confidence in component performance. Splice-on connectors

can be used for initial installation of fiber links, MAC work, or repairs to existing links to minimize downtime. Fusion splice connectors also allow for higher performance links through lower insertion loss and higher return loss characteristics. Splice-on connectors require less space for management like splice sleeves and trays, as well as reducing the amount of fiber needing management typical of pigtail splicing.

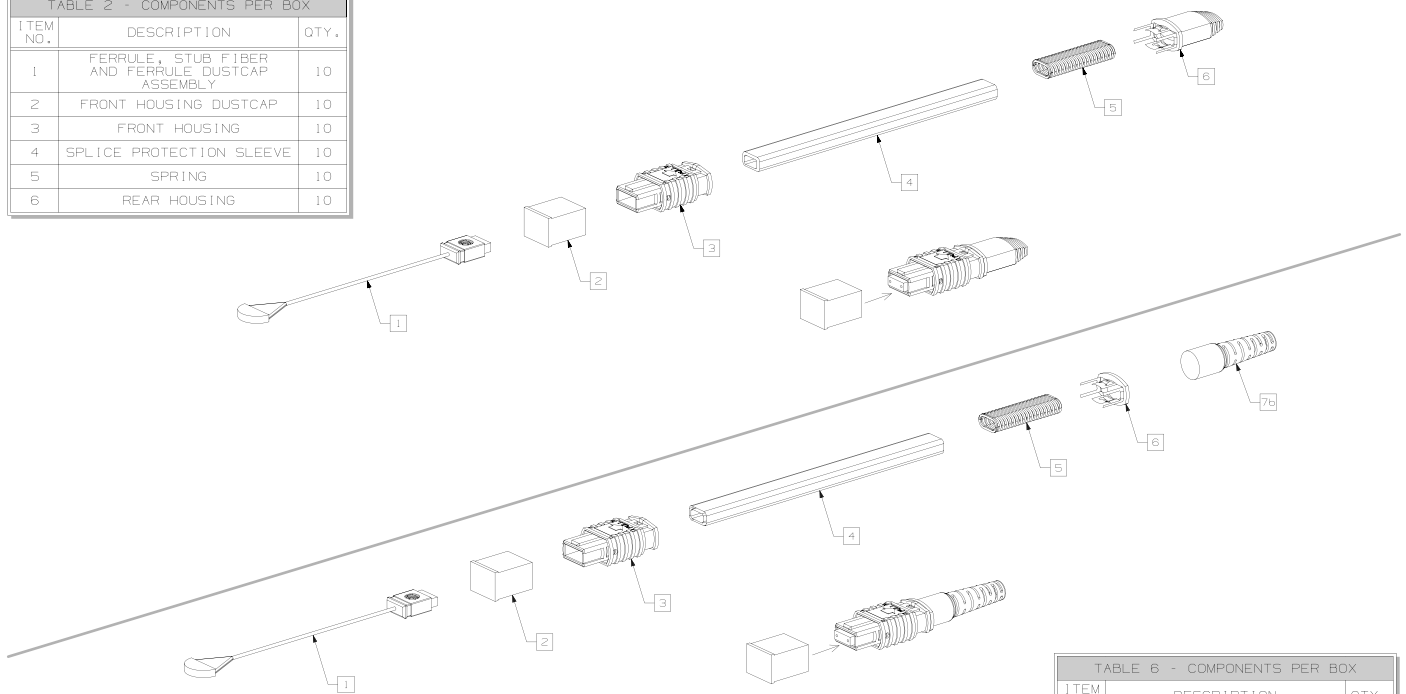
# Fusion Splice MPO Fiber Optic Connectors

## selection information

Panduit® Part Number	Description
FMPOF3SXMAQ	MPO Splice-On Connector, Female, for 3mm Round Cable, OM3/OM4 Multimode, Aqua Housing
FMPOM3SXMAQ	MPO Splice-On Connector, Male, for 3mm Round Cable, OM3/OM4 Multimode, Aqua Housing
FMPOF3SSSSGR	MPO Splice-On Connector, Female, for 3mm Round Cable, Standard Loss Singlemode, Green Housing
FMPOM3SSSSGR	MPO Splice-On Connector, Male, for 3mm Round Cable, Standard Loss Singlemode, Green Housing
FMPOFRSSSSGR	MPO Splice-On Connector, Female, for Bare Ribbon Cable, Standard Loss Singlemode, Green Housing
FMPOMRSSSSGR	MPO Splice-On Connector, Male, for Bare Ribbon Cable, Standard Loss Singlemode, Green Housing
FMPOFRSXMAQ	MPO Splice-On Connector, Female, for Bare Ribbon Cable, OM3/OM4 Multimode, Aqua Housing
FMPOMRSXMAQ	MPO Splice-On Connector, Male, for Bare Ribbon Cable, OM3/OM4 Multimode, Aqua Housing

## diagram

ITEM NO.	DESCRIPTION	QTY.
1	FERRULE, STUB FIBER AND FERRULE DUSTCAP ASSEMBLY	10
2	FRONT HOUSING DUSTCAP	10
3	FRONT HOUSING	10
4	SPLICE PROTECTION SLEEVE	10
5	SPRING	10
6	REAR HOUSING	10



ITEM NO.	DESCRIPTION	QTY.
1	FERRULE, STUB FIBER AND FERRULE DUSTCAP ASSEMBLY	10
2	FRONT HOUSING DUSTCAP	10
3	FRONT HOUSING	10
4	SPLICE PROTECTION SLEEVE	10
5	SPRING	10
6	REAR HOUSING	10
7b	3mm BOOT	10

### WORLDWIDE SUBSIDIARIES AND SALES OFFICES

PANDUIT US/CANADA  
Phone: 800.777.3300

PANDUIT EUROPE LTD.  
London, UK  
Phone: 44.20.8601.7200

PANDUIT SINGAPORE PTE. LTD.  
Republic of Singapore  
Phone: 65.6305.7575

PANDUIT JAPAN  
Tokyo, Japan  
Phone: 81.3.6863.6000

PANDUIT LATIN AMERICA  
Guadalajara, Mexico  
Phone: 52.33.3777.6000

PANDUIT AUSTRALIA PTY. LTD.  
Victoria, Australia  
Phone: 61.3.9794.9020

For a copy of Panduit product warranties, log on to [www.panduit.com/warranty](http://www.panduit.com/warranty)

For more information

Visit us at [www.panduit.com](http://www.panduit.com)

Contact Customer Service by email: [cs@panduit.com](mailto:cs@panduit.com)  
or by phone: 800.777.3300

**PANDUIT®**

© 2019 Panduit Corp.  
ALL RIGHTS RESERVED.  
FBSP156--WW-ENG  
6/2019