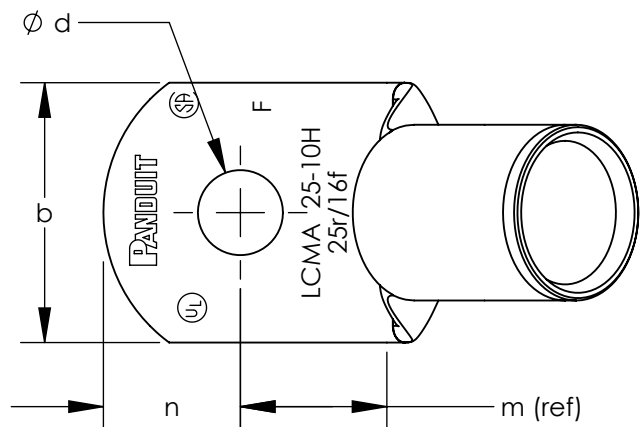


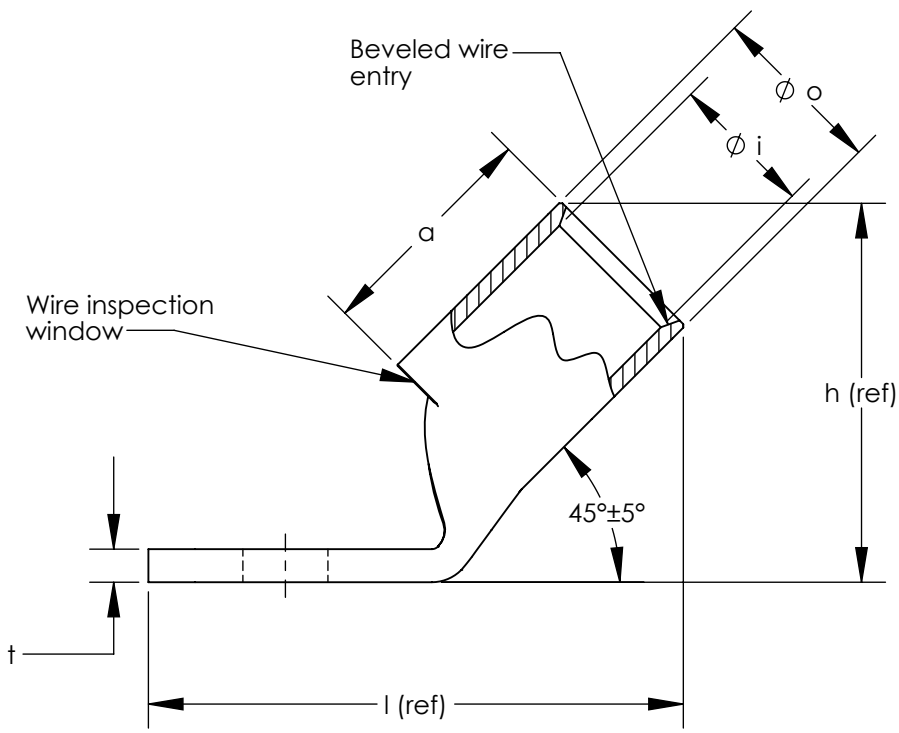
ALL DIMENSIONS ARE IN mm

Part Number	Class 2r Wire Size	Class 5f & 6f Wire Size	Stud Size	Wire Strip Length	Panduit Die Index No. For Class 2r Wire Circumferential Dies	Panduit Die Index No. For Class 5f & 6f Wire Circumferential Dies	Panduit Die Index No. For Class 5f & 6f Wire Nest/Indenter Dies	l (ref)	h (ref)	o ±.50	i ±.50	a ±2.25	m (ref)	n ±1.25	d ±.50	b ±1.25	t
LCMA 10-5H-C	10 mm <sup>2</sup>	-----	M5	12.50	P21	-----	-----	27.6	15.8	6.20	4.50	11.0	9.8	6.0	5.50	11.0	1.20 ± .35
LCMA 10-6H-C	10 mm <sup>2</sup>	-----	M6	12.50	P21	-----	-----	27.6	15.8	6.20	4.50	11.0	9.8	6.0	6.60	11.0	1.20 ± .35
LCMA 10-8H-C	10 mm <sup>2</sup>	-----	M8	13.00	P21	-----	-----	27.7	15.3	6.20	4.50	11.5	8.5	8.0	9.00	13.0	1.05 ± .35
LCMA 10-10H-C	10 mm <sup>2</sup>	-----	M10	13.00	P21	-----	-----	28.0	16.0	7.14	4.36	11.5	8.5	8.0	11.00	14.5	1.65 ± .35
LCMA 16-5H-C	16 mm <sup>2</sup>	10 mm <sup>2</sup>	M5	16.00	P21	P21	P29/1	30.4	18.3	7.20	5.50	14.5	10.3	6.5	5.50	13.0	1.26 ± .40
LCMA 16-6H-C	16 mm <sup>2</sup>	10 mm <sup>2</sup>	M6	16.00	P21	P21	P29/1	30.4	18.3	7.20	5.50	14.5	10.3	6.5	6.60	13.0	1.26 ± .40
LCMA 16-8H-C	16 mm <sup>2</sup>	10 mm <sup>2</sup>	M8	16.00	P21	P21	P29/1	30.3	18.3	7.20	5.50	14.5	10.3	6.5	9.00	13.0	1.20 ± .40
LCMA 16-10H-C	16 mm <sup>2</sup>	10 mm <sup>2</sup>	M10	16.00	P21	P21	P29/1	32.3	18.8	7.20	5.50	14.5	10.2	8.0	11.00	15.0	1.10 ± .40
*LCMA25-5H-C	25 mm <sup>2</sup>	16 mm <sup>2</sup>	M5	16.50	P29	P21	P29/1	31.8	21.2	8.80	6.90	15.0	10.0	8.0	5.50	14.0	1.60 ± .40
LCMA 25-6H-C	25 mm <sup>2</sup>	16 mm <sup>2</sup>	M6	16.50	P29	P21	P29/1	31.8	21.2	8.80	6.90	15.0	10.0	8.0	6.60	14.0	1.60 ± .40
LCMA 25-8H-C	25 mm <sup>2</sup>	16 mm <sup>2</sup>	M8	16.50	P29	P21	P29/1	31.8	21.2	8.80	6.90	15.0	10.0	8.0	9.00	15.5	1.60 ± .40
LCMA 25-10H-C	25 mm <sup>2</sup>	16 mm <sup>2</sup>	M10	16.50	P29	P21	P29/1	31.7	21.2	8.80	6.90	15.0	10.0	8.0	11.00	15.5	1.50 ± .40

\*cULus LISTED WIRE CONNECTOR



- NOTES:
1. Material: High conductivity seamless copper tube.
  2. Plating: Parts are annealed and tin plated.
  3. Wire Type: Class 2r, 5f & 6f Stranded Copper per DIN VDE 0295, IEC 60228 and HD 383.
  4. UL Listed Wire Connector: Yes, for applications up to 35kv. Consult cable manufacturer for voltage stress relief instructions with applications greater than 2000 volts.
  5. UL Temperature Rating: 90° C
  6. C.S.A. Certified Wire Connector: Yes
  7. Parts are CE and tested per EN 61238-1:2003/IEC 61238-1:2003 Class B, with Class 2r wire 10mm<sup>2</sup> - 25mm<sup>2</sup>.



REV	DATE	BY	CHK	APR	DESCRIPTION	ECN
01	7/15	JHNU	TLCO	RGB	ADDED LCMA25-5H-C	11J033BJ-JC
00	10/13	JHNU	TLCO	RGB	DRAWING RELEASED	11J033BJ-JC

TITLE		<b>METRIC LUGS - LCMA ONE HOLE SERIES 10-25mm<sup>2</sup> 45° BENT STANDARD BARREL CUSTOMER DRAWING</b>	
ITEM REVISION NAME	11J033BJ/01		
DATASET FILE NAME	11J033BJ-JC/01.SLDDRW		
UNLESS OTHERWISE SPECIFIED, DIMENSIONAL TOLERANCES ARE: IN [mm]		MATERIAL	
.X ±	.XXX ±	SEE NOTES	
.XX ±	ANGLES ±	DRAWING NUMBER 11J033BJ-JC	
THIRD ANGLE PROJECTION		SHEET 1 OF 1	
DRAWN BY	DATE	CHK	SCALE
JHNU	10/13	TLCO	NONE
SIZE		B	