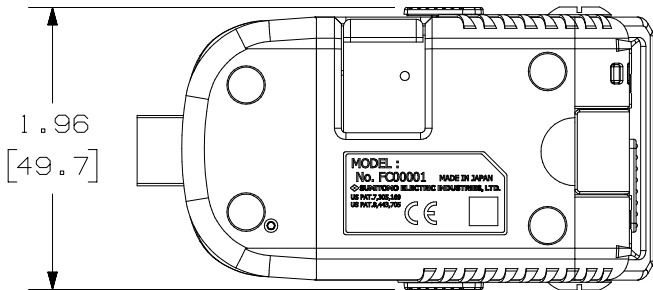
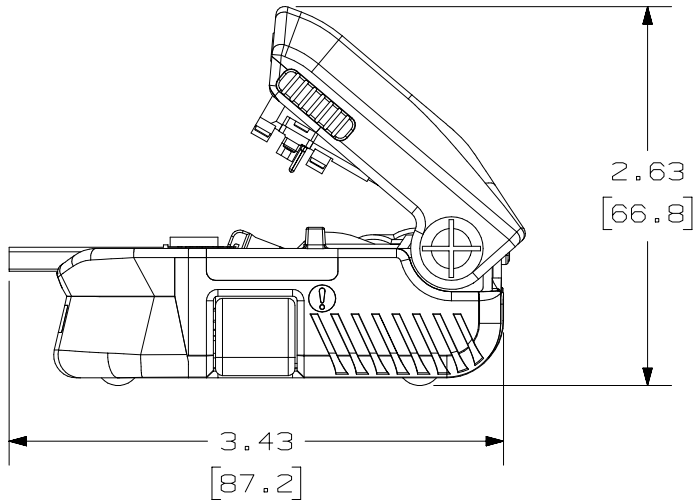
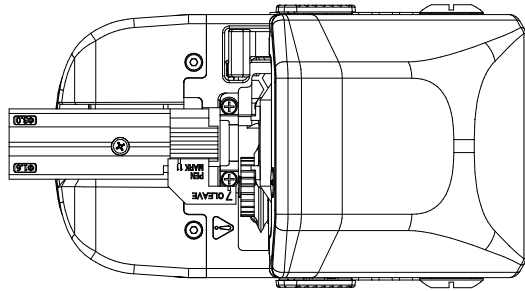
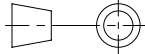



THIS COPY IS PROVIDED ON A RESTRICTED BASIS AND IS NOT TO BE USED IN ANY WAY DETRIMENTAL TO THE INTERESTS OF PANDUIT CORP.



NOTES:

1. VISIT OUR ON-LINE CATALOG AT WWW.PANDUIT.COM FOR A LIST OF CURRENT PARTS APPLICABLE FOR USE WITH THIS PRODUCT.
2. DIMENSIONS IN () ARE METRIC.
3. ALL MATERIALS AND COMPONENTS USED MEET THE MATERIAL RESTRICTIONS OF RoHS (EUROPEAN DIRECTIVE 2011/65/EU ON THE RESTRICTION OF HAZARDOUS SUBSTANCES) AS PROPOSED BY THE RoHS TECHNICAL ADAPTATION COMMITTEE.
4. WEIGHT: 1.4 LB, [.63 KG]
5. PART INCLUDES:
 - PREMIUM CLEAVER
 - CASE FOR CLEAVER
 - INSTRUCTIONS
 - ADDITIONAL CLEAVE TEMPLATE
 - CLEAVER CLEANING BRUSH
 - CARRYING STRAP, LONG AND SHORT

PART NUMBER		FSPCVR		
TITLE		FIBER PREMIUM CLEAVER		
		CUSTOMER DRAWING		
ITEM REVISION NAME		00045SCQ/01		
DATASET FILE NAME		00045SCQ_DC/01A		
 THIRD ANGLE PROJECTION				
MATERIAL				
		DRAWING NUMBER		00045SCQ-DC
DRAWN BY	DATE	CHK	SCALE	SIZE
TWV	7-9-18	SCAL	3:4	A

R	7-9-18	TWV	SCAL	SKH	RELEASED TO PRODUCTION	00045SCQ-DC
REV	DATE	BY	CHK	APR	DESCRIPTION	ECN

2

1

2

1

A-SIZE CUSTOMER