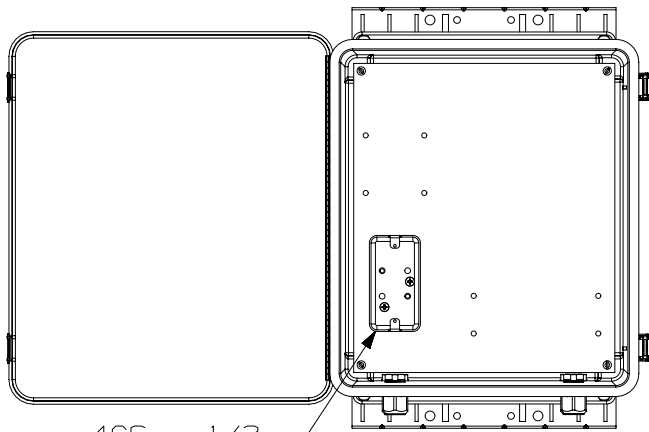
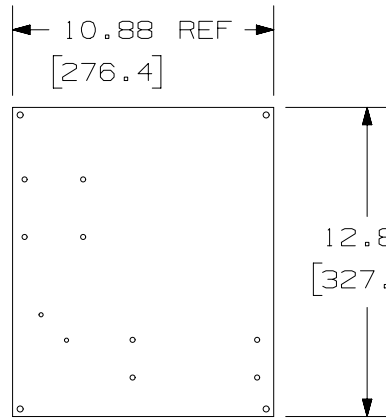


THIS COPY IS PROVIDED ON A RESTRICTED BASIS AND IS NOT TO BE USED IN ANY WAY DETRIMENTAL TO THE INTERESTS OF PANDUIT CORP.



4CS - 1/2
HANDY BOX

ENCLOSURE LAYOUT



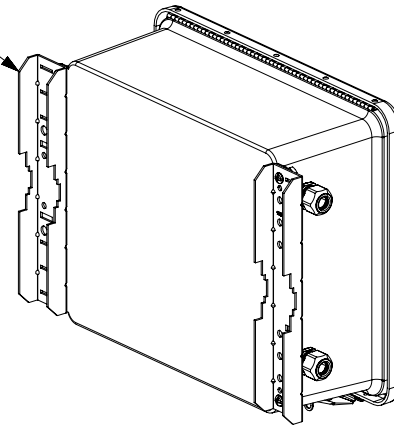
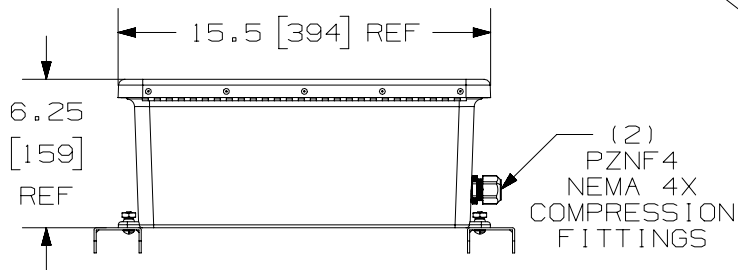
BACKPLANE

PANDUIT P/N	WEIGHT
NWSE1412*	13.0 LBS

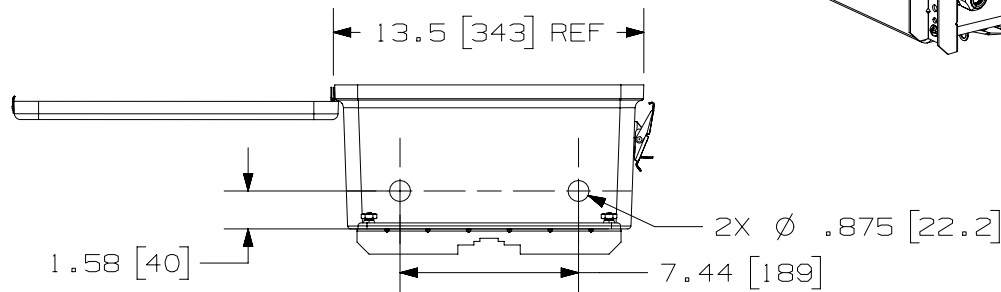
NOTES:

- VISIT OUR ON-LINE CATALOG AT WWW.PANDUIT.COM FOR A LIST OF CURRENT PARTS APPLICABLE FOR USE WITH THIS PRODUCT.
- DIMENSIONS IN [] ARE METRIC.
- COLOR:
 - A. BLUE (NWSE1412B)
 - B. GRAY (NWSE1412G)
- PART INCLUDES:
 - (1)-NEMA 4X, 14" X 12" WIRELESS ENCLOSURE (MODIFIED)
 - (1)-POLE MOUNTING KIT (INSTALLED WITH SECURITY SCREWS AND NUTS)
 - (1)-PRE-DRILLED BACK PLANE
 - (2)-PZNF4 - NEMA 4X COMPRESSION FITTING (INSTALLED)
 - (1)-4CS - 1/2 HANDY BOX
 - (1)-CJ688TGWH TX6 PLUS JACK
 - (1)-UTPSP2Y TX6 PLUS PATCH CORD
- THIS DRAWING IS FOR REFERENCE ONLY

POLE MOUNTING KIT (INSTALLED)



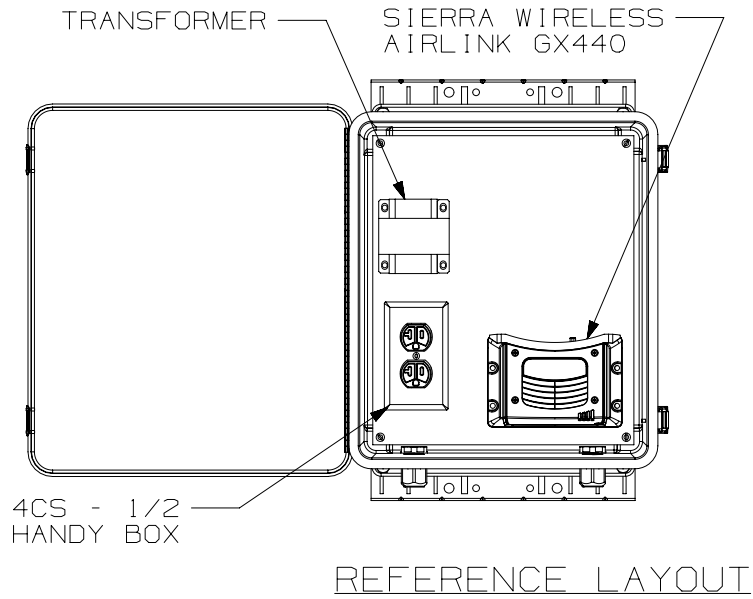
NEMA 4X ENCLOSURE

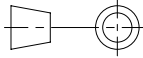


TITLE												
NEMA 4X, 14" X 12" WIRELESS ENCLOSURE - NWSE1412*												
CUSTOMER DRAWING												
ITEM REVISION NAME					00167NBQ/03							
DATASET FILE NAME					00167NBQ_DC/03A							
					THIRD ANGLE PROJECTION							
MATERIAL					N/A							
					DRAWING NUMBER							
					00167NBQ-DC							
REV	DATE	BY	CHK	APR	DESCRIPTION	ECN	DRAWN BY	DATE	CHK	SCALE	SHEET 1 OF 2	SIZE
03A	11/13/19	MRWA	MW	KGA	B. NOTE 5 WAS NOTE 6 ON REV 02A A. UPDATED ACCESSORIES (MERGED NOTE 4 & 5)	00167NBQ-DC	JBO	5/14/19	MW	NONE		A
02A	10/22/19	JBO	MW	KGA	INITIAL RELEASE	00167NBQ						

A-SIZE CUSTOMER

THIS COPY IS PROVIDED ON A RESTRICTED BASIS AND IS NOT TO BE USED IN ANY WAY DETRIMENTAL TO THE INTERESTS OF PANDUIT CORP.



TITLE		NEMA 4X, 14" X 12" WIRELESS ENCLOSURE - NWSE1412*		
		CUSTOMER DRAWING		
ITEM REVISION NAME		00167NBQ/03		
DATASET FILE NAME		00167NBQ_DC/03A		
		THIRD ANGLE PROJECTION		
MATERIAL		N/A		
		DRAWING NUMBER		
		00167NBQ-DC		
DRAWN BY	DATE	CHK	SCALE	
JBO	5/14/19	MW	NONE	
SHEET 2 OF 2		A		

REV	DATE	BY	CHK	APR	DESCRIPTION	ECN
03A	11/13/19	MRWA	MW	KGA	REFER TO SHEET 1 FOR REVISION CONTROL	00167NBQ
02A	10/22/19	JBO	MW	KGA	REFER TO SHEET 1 FOR REVISION CONTROL	00167NBQ

2

1

2

1

B

B

A

A

A-SIZE CUSTOMER