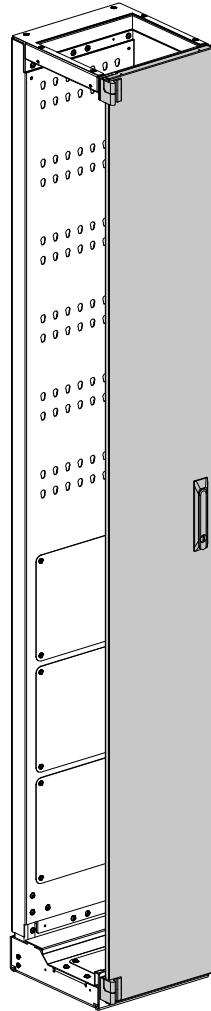
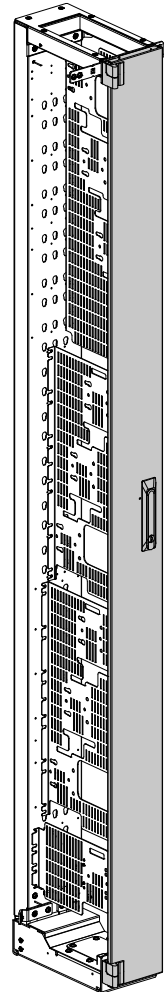


FlexCore™ 600mm x 45RU Door  
**FDUFD6045P\*\*\***  
Attaches to ODF Frame  
FDFF45\*\*



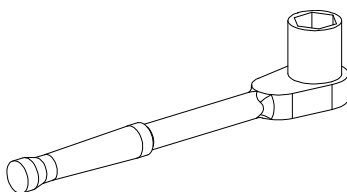
FlexCore™ 300mm x 45RU Door  
**FDUFD3045S\*\*\***  
Attaches to ODF 300mm  
Vertical Cable Manager  
FDFVCM3045\*\*



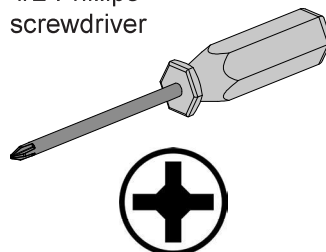
FlexCore™ 150mm x 45RU Door  
**FDUFD1545S\*\*\***  
Attaches to ODF 150mm  
Vertical Cable Manager  
FDFVCM1545\*\*

### Tool List

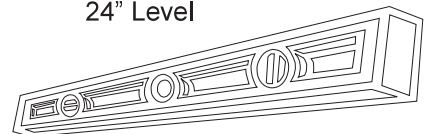
- 10mm Socket Wrench
- 17mm Socket Wrench



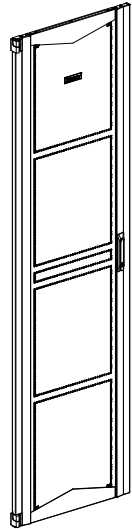
- #2 Phillips screwdriver



- 24" Level



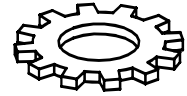
**FDUFD6045P\*\*\* - Components included**



Door  
600mm x 45 RU  
Qty: 1  
*Left Hand Door shown*

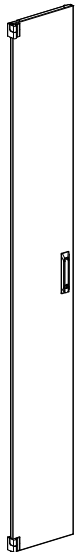


#12-24 x 1/2  
Flat Head screw  
Qty: 4

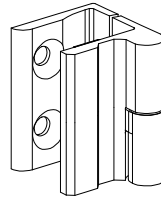
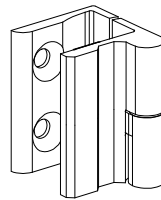


#12 Tooth Lockwasher  
Qty: 4

**FDUFD3045S\*\*\* - Components included**



Door  
300mm x 45 RU  
Qty: 1



Opposite-Hand  
Hinges  
Qty: 1 set



#12-24 x 1/2  
Flat Head screw  
Qty: 4

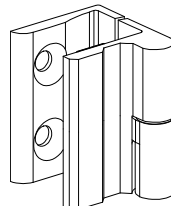
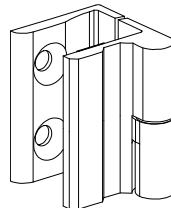


#12 Tooth Lockwasher  
Qty: 4

**FDUFD1545S\*\*\* - Components included**



Door  
150mm x 45 RU  
Qty: 1



Opposite-Hand  
Hinges  
Qty: 1 set



#12-24 x 1/2  
Flat Head screw  
Qty: 4



#12 Tooth Lockwasher  
Qty: 4

 **DANGER**

**Electrical Shock Hazard**

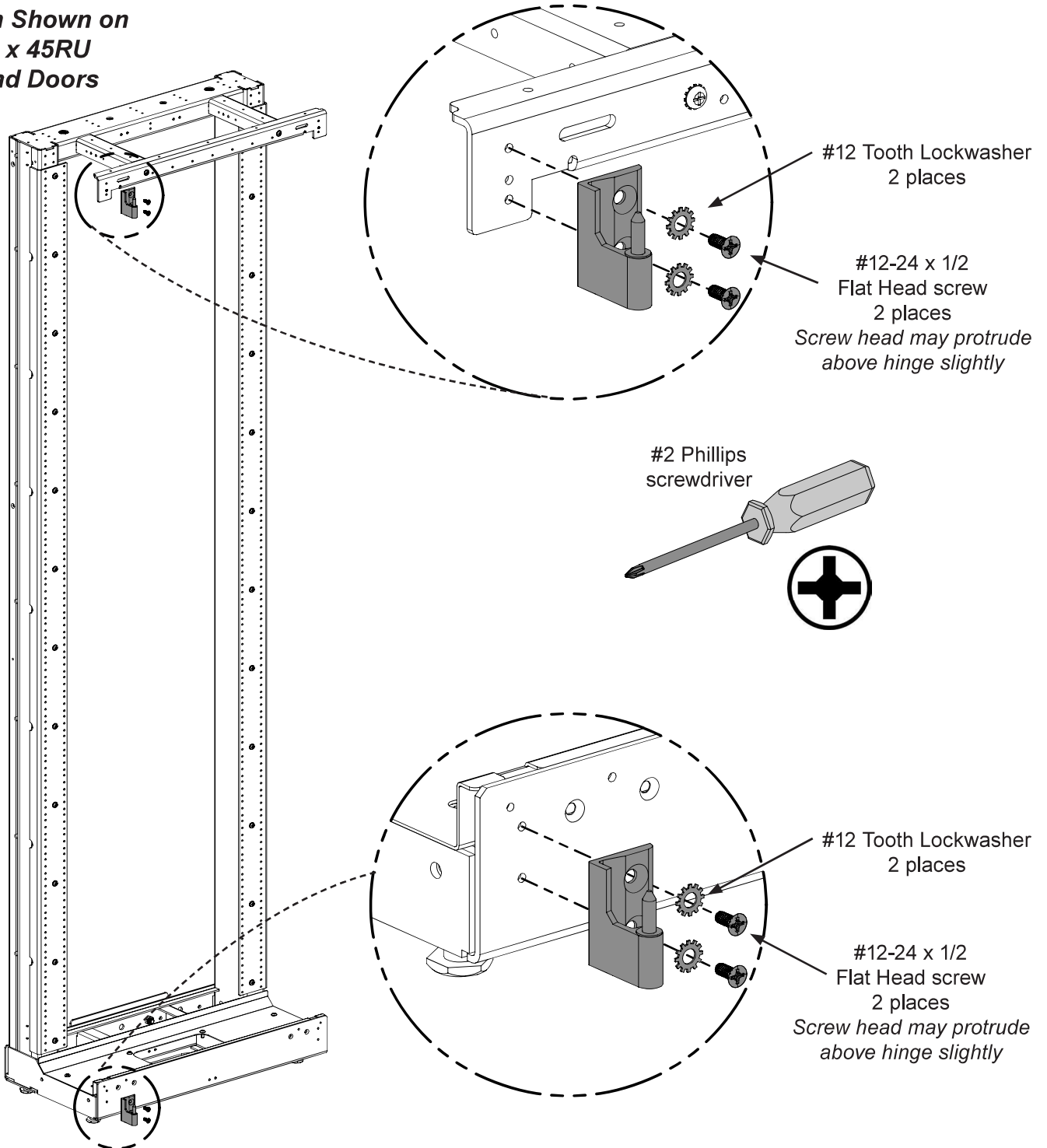
Each Door must be connected to the Common Bonding Network (CBN).

**FAILURE TO FOLLOW THESE INSTRUCTIONS CAN LEAD TO SERIOUS INJURY, DEATH, OR DAMAGE TO YOUR EQUIPMENT.**

**Attach Male Side of Door Hinges to the Frame**

- Lockwasher installation ensures proper electrical bonding of Door to the Frame or Vertical Cable Manager
- Shown on 600mm x 45RU door. Hinges and installation is the same for all doors.

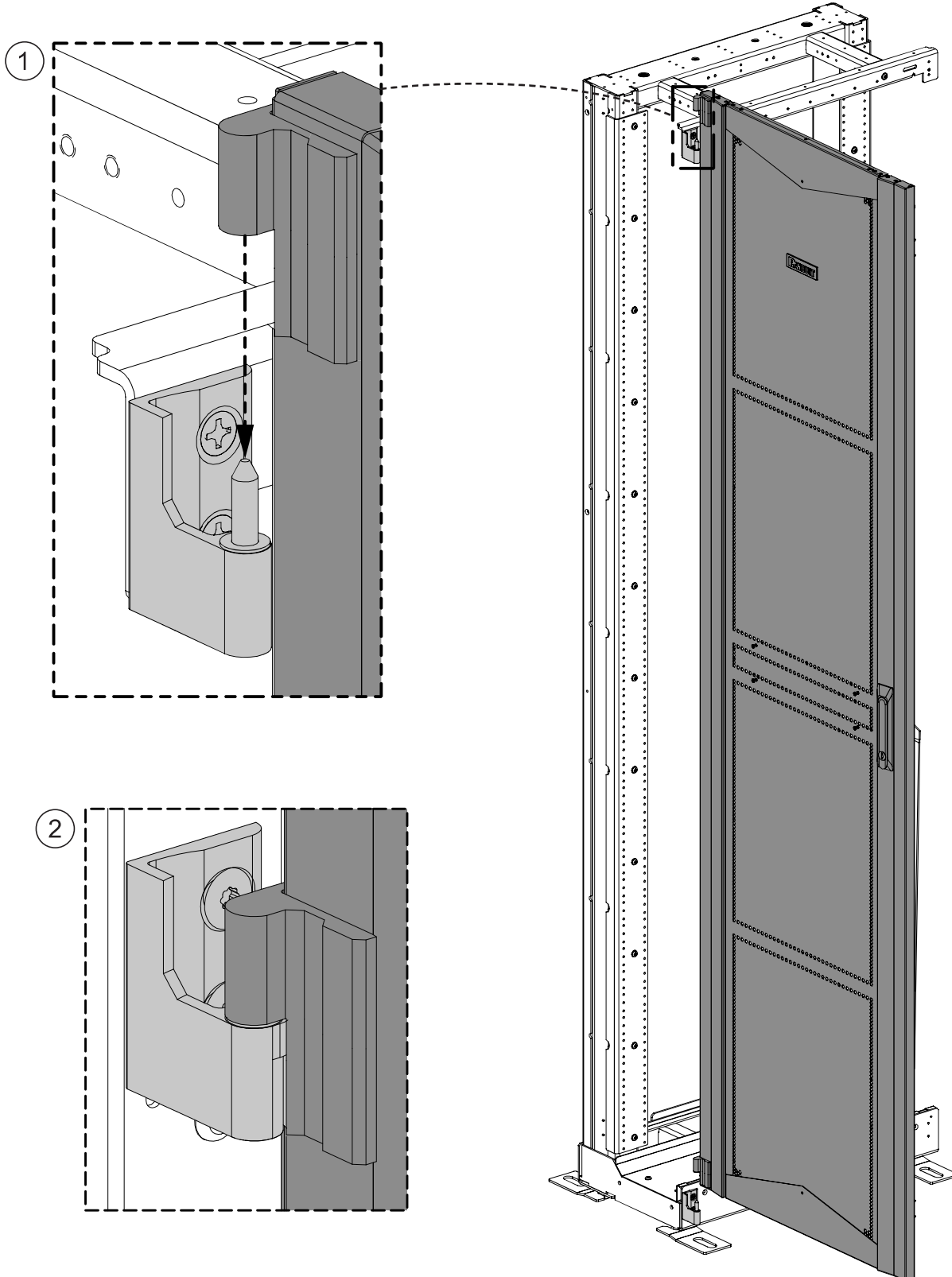
**Installation Shown on  
600mm x 45RU  
Left-Hand Doors**



For Technical Support: [www.panduit.com/resources/install\\_maintain.asp](http://www.panduit.com/resources/install_maintain.asp)

## Install Door onto the Hinges

- Position Door at approximately 90° to Frame or Vertical Cable Manager.
- Place Door onto hinges, aligning top hinge pin first.
- **To remove Door.** Position Door at approximately 90° to Frame or Vertical Cable Manager and lift up.

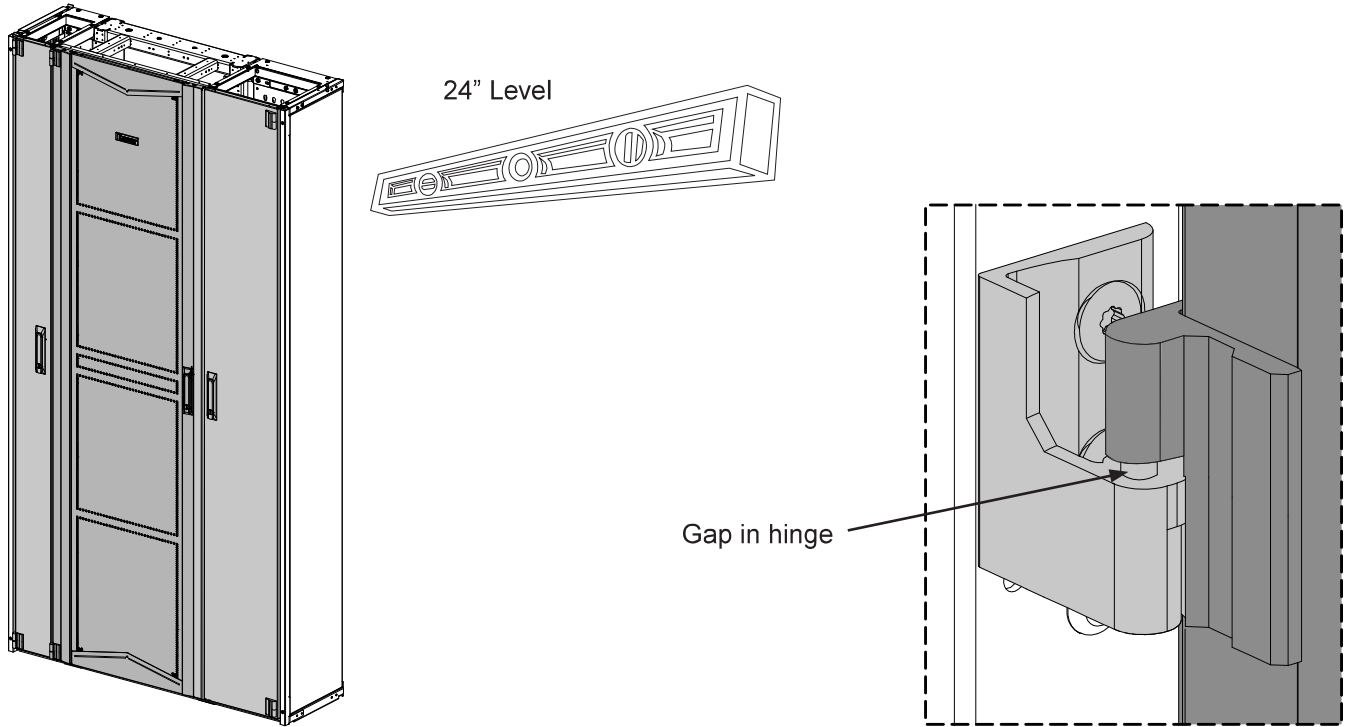


## Door Adjustments

- Doors may need to be adjusted for level across one or multiple doors and/or to adjust gaps in the hinges

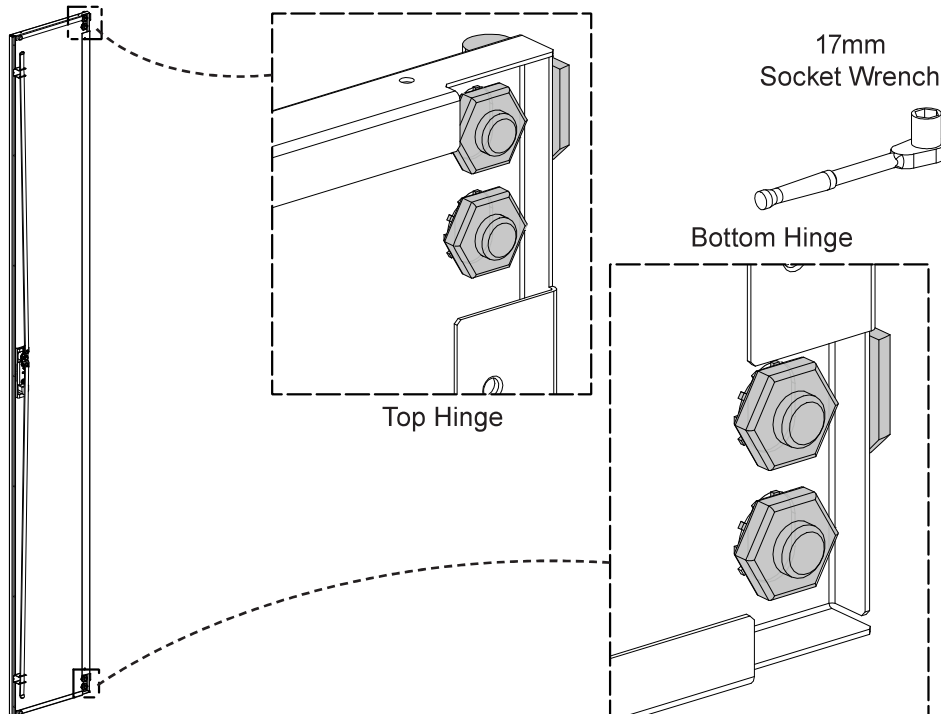
### Check doors for squareness and/or gap adjustment

- Visually or with a level, check the doors for any adjustments that may need to be made.
- Visually check hinges for any gaps



### Door squareness and/or gap adjustment

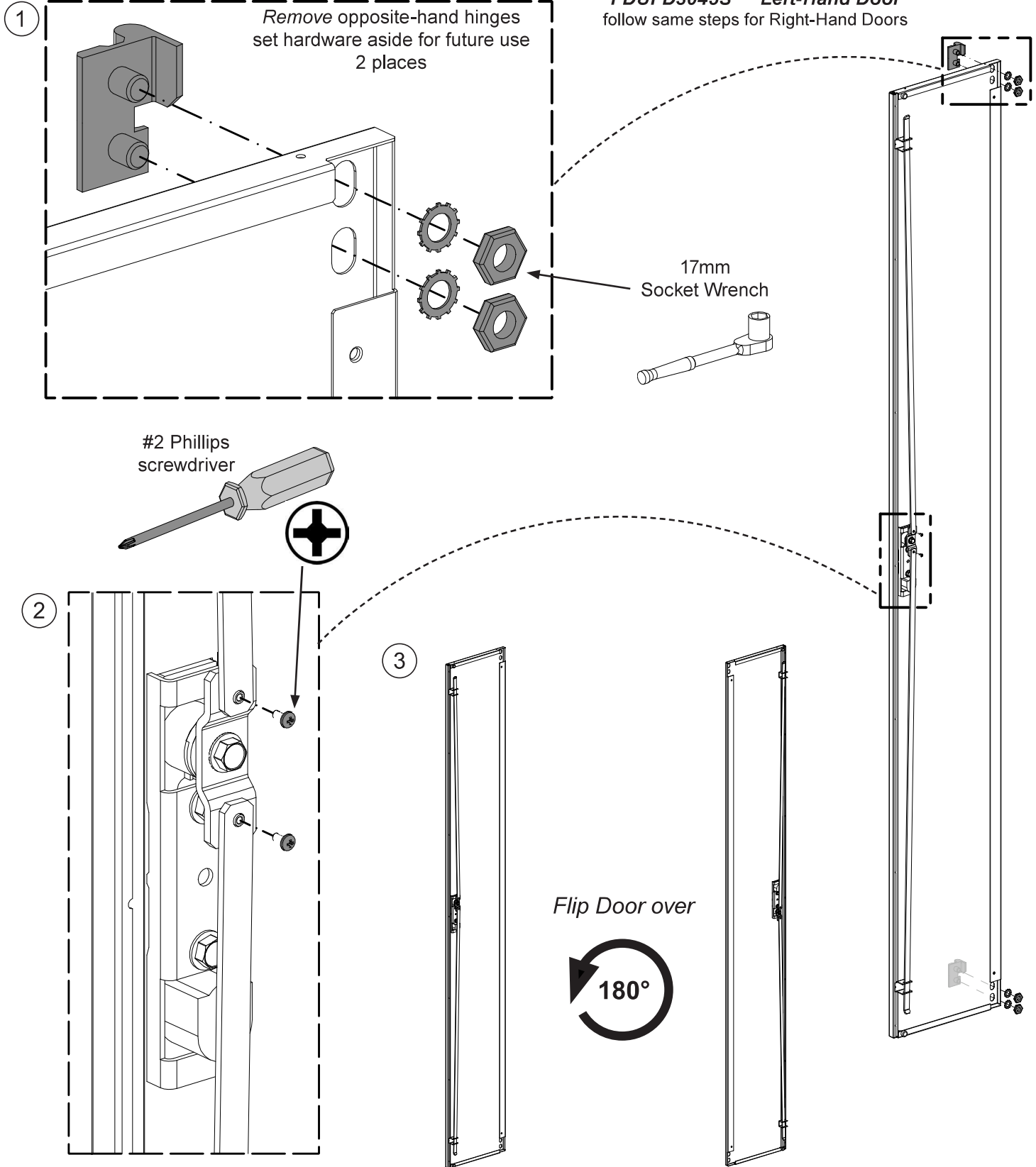
- Loosen the hinge nuts on bottom hinge to allow door to settle
- If necessary, loosen the hinge nuts on top hinge and pull down to close any remaining gaps



**Modify Swing of Door - ONLY FDUFD1545S\*\*\* & FDUFD3045S\*\*\***

- Remove the opposite-hand hinges from the Door and set hardware aside
- Remove the swing handle screws that attach the Door Rods and set screws aside
- **Flip Door over 180**

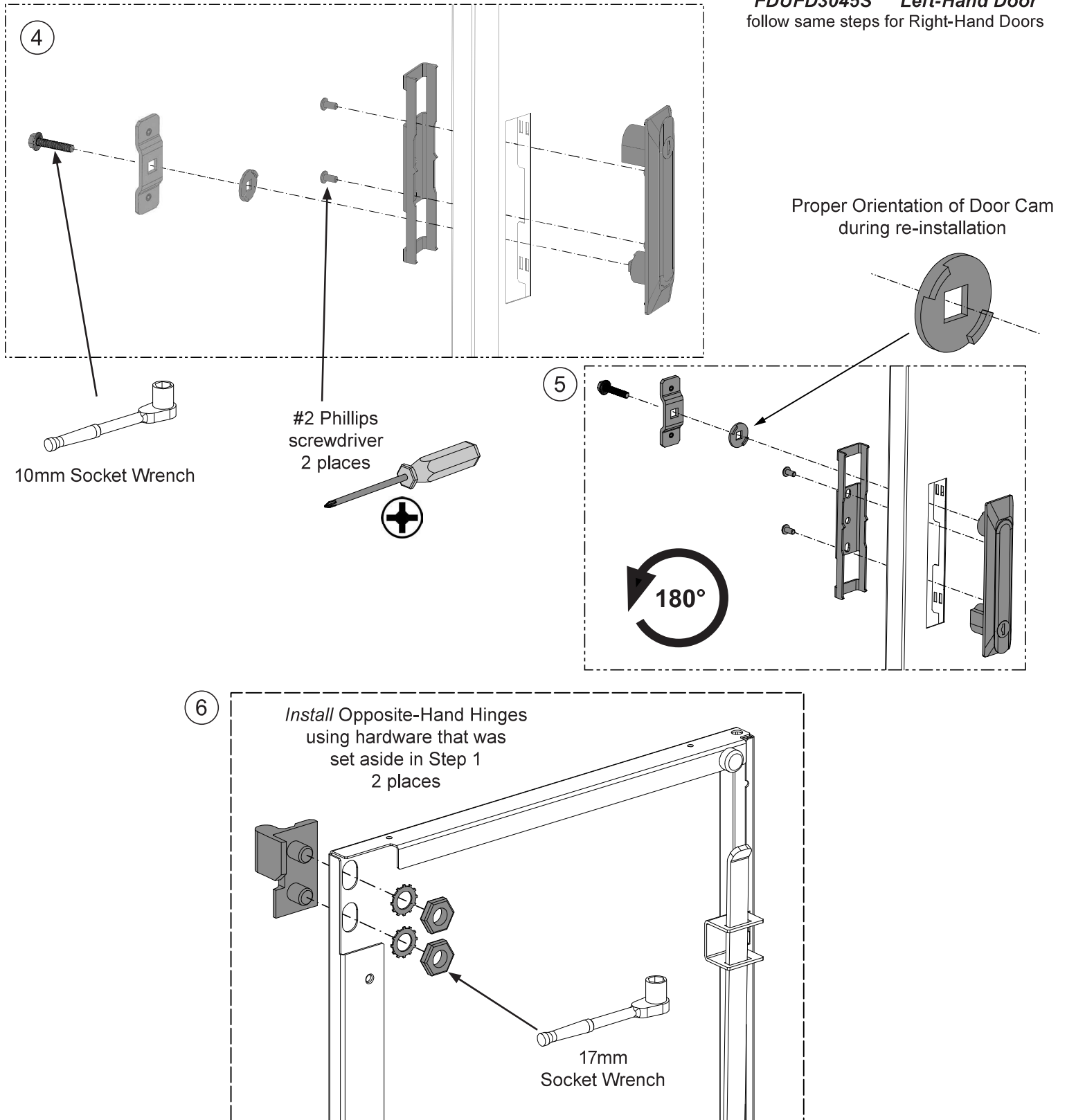
*Installation Shown on FDUFD3045S\*\*\* Left-Hand Door follow same steps for Right-Hand Doors*



**Modify Swing of Door - ONLY FDUFD1545S\*\*\* & FDUFD3045S\*\*\* continued**

- Remove and flip the Door Handle 180°. Re-install the handle, making sure the Door Cam is oriented as shown
- Re-install door rods with screws set aside in Step 2.
- Install the door portion of the opposite-hand hinges (**provided**).

*Installation Shown on  
FDUFD3045S\*\*\* Left-Hand Door  
follow same steps for Right-Hand Doors*

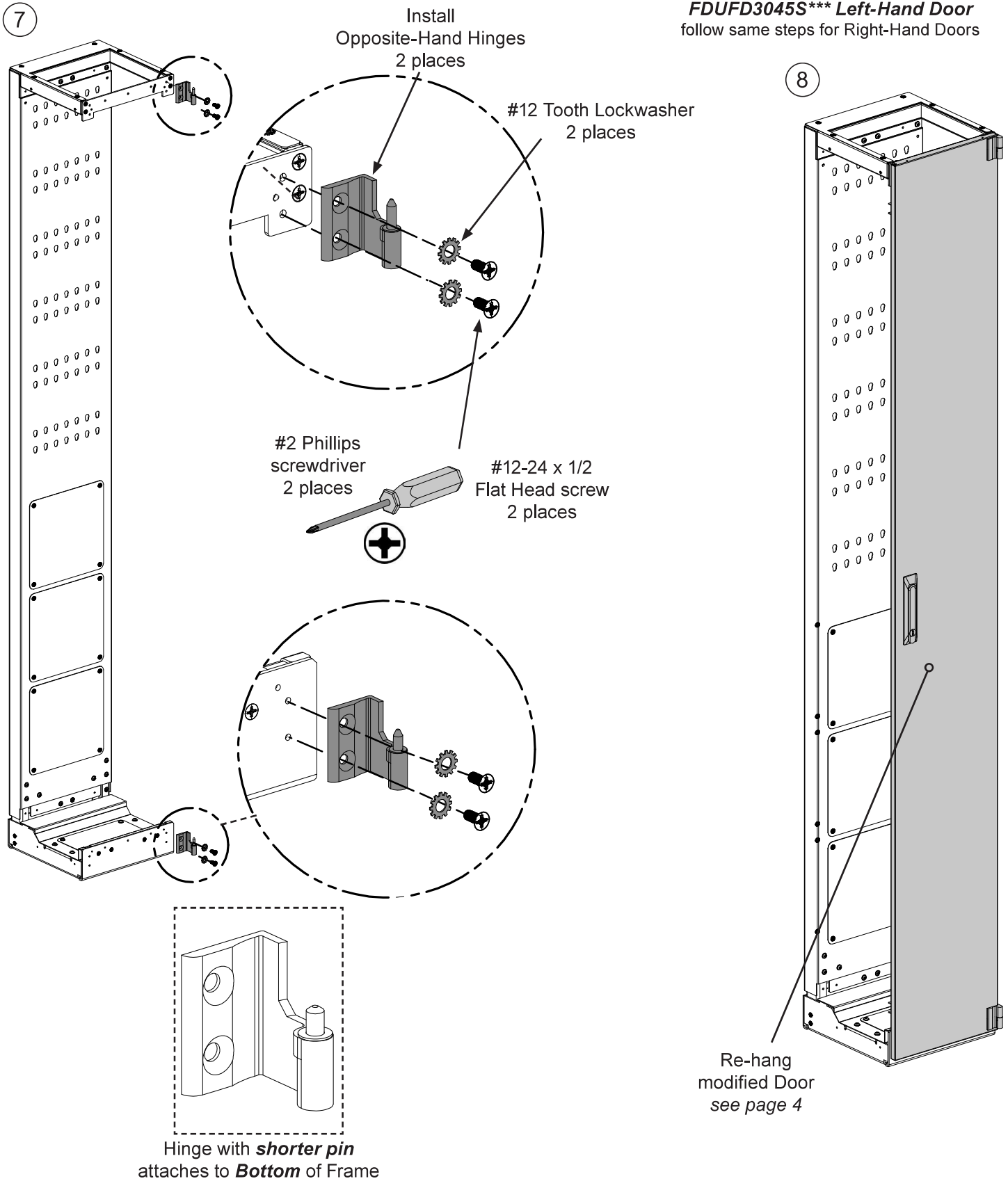


For Technical Support: [www.panduit.com/resources/install\\_maintain.asp](http://www.panduit.com/resources/install_maintain.asp)

### Modify Swing of Door - **ONLY** FDUF1545S\*\*\* & FDUF3045S\*\*\* continued

- Install the male side of opposite-hand hinges (**provided**) to the correct side of the Frame.
- Install door onto hinges as seen on page 4.

*Installation Shown on  
FDUF3045S\*\*\* Left-Hand Door  
follow same steps for Right-Hand Doors*



For Technical Support: [www.panduit.com/resources/install\\_maintain.asp](http://www.panduit.com/resources/install_maintain.asp)



**FlexCore™ System Installation Instructions**

Installation Instruction Number	Panduit Part Number	Description
<a href="#">FS190</a>	<a href="#">FDFF45**</a>	FlexCore™ Optical Distribution Frame
<a href="#">FS191</a>	<a href="#">FDFVCM1545**</a>	FlexCore™ 150mm Vertical Cable Manager
<a href="#">FS192</a>	<a href="#">FDFVCM3045**</a>	FlexCore™ 300mm Vertical Cable Manager
<a href="#">FS193</a>	<a href="#">FDUFD**45*X**</a>	FlexCore™ Single Hinge Front Doors
<a href="#">FS194</a>	<a href="#">FDFEP45**</a>	FlexCore™ End Panels
<a href="#">FS198</a>	<a href="#">FDUSP</a>	FlexCore™ Fiber Spool
<a href="#">FS199</a>	<a href="#">FDUSP6</a>	FlexCore™ Fiber Spool 6-pack Color Coordinated Kit
<a href="#">FS200</a>	<a href="#">FDS**-24-***</a>	FlexCore™ Fusion Splice Cassette - Cable to LC Adapter
<a href="#">FS201</a>	<a href="#">FDSN-24</a>	FlexCore™ Fusion Splice Cassette - Cable to Cable
<a href="#">FS203</a>	<a href="#">FDFUE4**</a>	FlexCore™ 4RU Universal Enclosure
<a href="#">FS204</a>	N/A	FlexCore™ Front Access Optical Distribution Frame Patchcord Routing Guide
<a href="#">FS205</a>	<a href="#">FDFRC45**</a>	FlexCore™ Frame Rear Panel
<a href="#">FS206</a>	N/A	FlexCore™ Front Access Ingress/Egress Cabling Guide

For Instructions in Local Languages  
and Technical Support:

[www.panduit.com/resources/install\\_maintain.asp](http://www.panduit.com/resources/install_maintain.asp)

**PANDUIT**

[www.panduit.com](http://www.panduit.com)

E-mail:  
[techsupport@panduit.com](mailto:techsupport@panduit.com)

Phone:  
866-405-6654