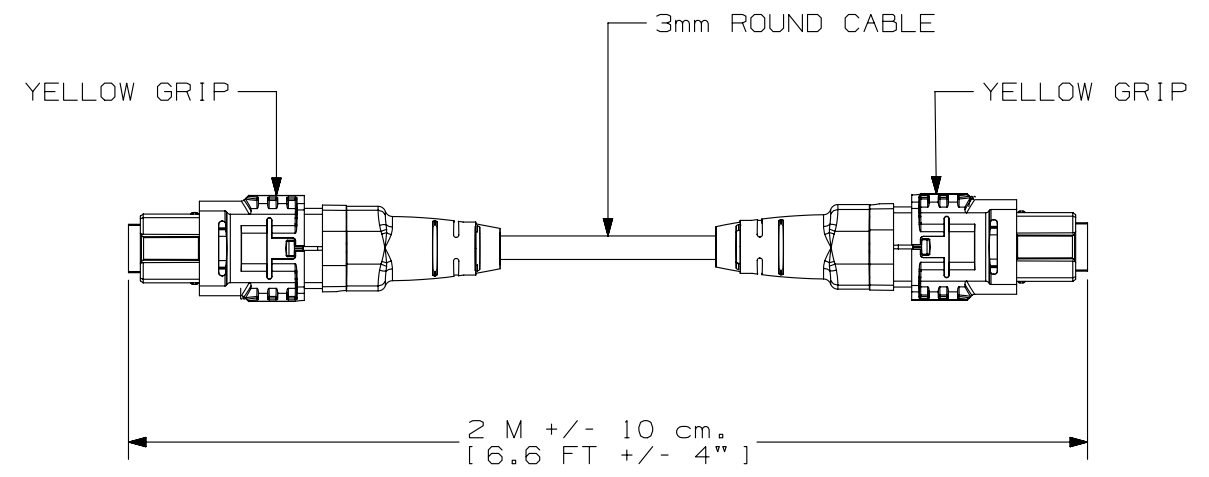


- NOTES:
1. SEE CURRENT CATALOG FOR PRODUCT DESCRIPTIONS AND TECHNICAL SPECIFICATIONS AND CURRENT PART NUMBERS.
  2. SEE CURRENT CATALOG FOR PATCH CORD LENGTHS AND PACKAGE QUANTITY.
  3. FOR LENGTHS OTHER THAN THOSE LISTED IN CATALOG, CONTACT YOUR PANDUIT SALES PERSON.
  4. TESTED TO EIA/TIA 568-C.3.
  5. ALL MATERIALS AND COMPONENTS USED MEET THE MATERIAL RESTRICTIONS OF RoHS, (EUROPEAN DIRECTIVE 2011/65/EC ON THE RESTRICTION OF HAZARDOUS SUBSTANCES) AS PROPOSED BY THE RoHS TECHNICAL ADAPTATION COMMITTEE.



REFERENCE CABLE CORD  
CONNECTORS SHOWN WITH DUST CAPS REMOVED

REFERENCE CORD PART NUMBER	CONNECTORS GENDER	CONNECTOR TYPE	CABLE TYPE	LENGTH	METHOD	IL (dB) PER CONNECTOR	RL (dB)
FRBXR7-R7M02	FEMALE-FEMALE	MULTIMODE REFERENCE YELLOW GRIP	OM3 PLENUM REFERENCE GRADE (AQUA)	2 METERS (6.6 FT)	A	.15	30
FRB9R7-R7M02		SINGLEMODE REFERENCE YELLOW GRIP	OS1/OS2 PLENUM REFERENCE GRADE (YELLOW)				

NOTE: BAGGED PATCHCORD SHOWN  
CONNECTORS SHOWN WITH DUST CAPS REMOVED

							TITLE PAN MPO REFERENCE CORD (ROUND CABLE) CUSTOMER DRAWING		
							ITEM REVISION NAME 13F237BA/00		
							DATASET FILE NAME 13F237BA_DC/00B		
							UNLESS OTHERWISE SPECIFIED, DIMENSIONAL TOLERANCES ARE: IN [mm]		
							.X : .XXX ± .010 [0.3] .XX : .03 [0.8] ANGLES ±		
							THIRD ANGLE PROJECTION		
							DRAWING NUMBER: 13F237BA-DC		
01	11-19-13	MC	YMG	RWB	RELEASED TO PRODUCTION	13F237BA-DC	DRAWN BY DATE CHK SCALE SAT 09-12-13 YMG 1 : 1		
REV	DATE	BY	CHK	APR	DESCRIPTION	ECN	SHT 1 OF 1		