

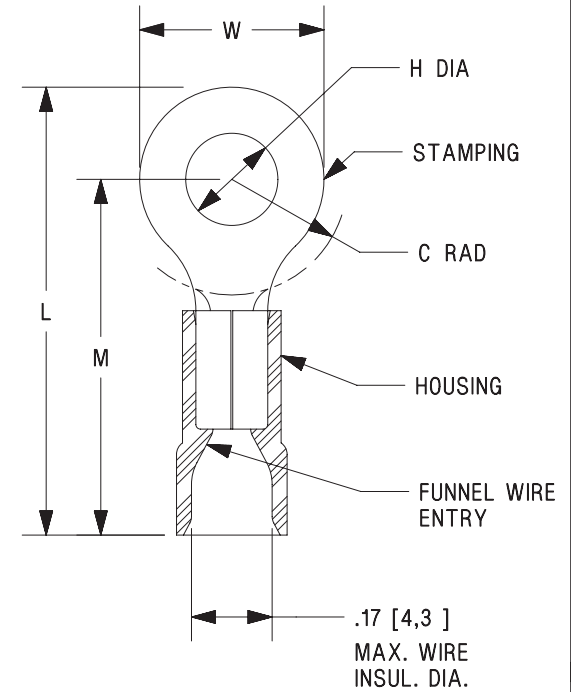
THIS COPY IS PROVIDED ON A RESTRICTED BASIS AND IS NOT TO BE USED IN ANY WAY DETRIMENTAL TO THE INTERESTS OF PANDUIT CORP.

| PANDUIT PART # | STUD SIZE | | DIMENSIONS in. [mm] | | | | |
|----------------|-----------|--------|---------------------|---------------|---------------|---------------|---------------|
| | ENGLISH | METRIC | L ± .03 [0,8] | W ± .01 [0,3] | C ± .02 [0,5] | M ± .03 [0,8] | H ± .01 [0,3] |
| PV14-4R | #4 | -- | .84 [21,3] | .25 [6,4] | .19 [4,8] | .71 [18,0] | .12 [3,1] |
| PMV2-3RB | -- | M3 | .81 [20,5] | .23 [5,8] | .25 [6,4] | .71 [18,0] | .13 [3,3] |
| PV14-6RN | #6 | M3,5 | .84 [21,3] | .25 [6,4] | .19 [4,8] | .71 [18,0] | .15 [3,8] |
| PV14-6R | #6 | M3,5 | .92 [23,4] | .31 [7,9] | .25 [6,4] | .76 [19,3] | .15 [3,8] |
| PV14-8R | #8 | M4 | .92 [23,4] | .31 [7,9] | .25 [6,4] | .76 [19,3] | .17 [4,3] |
| PV14-10R | #10 | -- | .92 [23,4] | .31 [7,9] | .25 [6,4] | .76 [19,3] | .20 [5,1] |
| PMV2-5RB | -- | M5 | .94 [23,9] | .35 [8,89] | .25 [6,4] | .76 [19,3] | .21 [5,3] |
| PV14-14R | 1/4" | M6 | 1.12 [28,5] | .46 [11,7] | .38 [9,7] | .89 [22,6] | .27 [6,9] |
| PV14-56R | 5/16" | M8 | 1.12 [28,5] | .46 [11,7] | .38 [9,7] | .89 [22,6] | .34 [8,6] |
| PV14-38R | 3/8" | -- | 1.21 [30,7] | .53 [13,5] | .43 [10,9] | .94 [23,9] | .40 [10,2] |
| PV14-12R | 1/2" | -- | 1.42 [36,1] | .72 [18,3] | .53 [13,5] | 1.06 [26,9] | .52 [13,2] |

UL & CSA APPROVED TOOLS

CT-100B - #16-14 AWG
 CT-1550 - #18-14 AWG
 CT-1551 - #18-14 AWG
 CT-2300 - #18-14 AWG
 CT-2500 (CT-2550CH) - #18-14 AWG

METRIC EQUIVALENT
 #18 AWG = 1,0 mm
 #16 AWG = 1,5 mm
 #14 AWG = 2,5 mm



NOTES:

- UL 486A/B LISTED & CSA C22.2 NO. 65-03 CERTIFIED FOR:
 - SOLID OR STRANDED COPPER WIRE
 - 221°F [105°C] MAX. OPERATING TEMPERATURE
 - 600V. MAX. BLDG WIRE.
(1000 V. MAX. IN SIGNS, FIXTURES & LUMINAIRES)
 - SOME TOOLS HAVE EXPANDED WIRE SIZES. SEE TOOL TABLES FOR AWG WIRE SIZES SUPPORTED BY EACH TOOL.
- SEE WWW.PANDUIT.COM FOR PACKAGE QUANTITIES.
- MATERIAL:
 - STAMPING: .032" [0,8] THK COPPER, TIN PLATED
 - HOUSING: VINYL, BLUE
- DIMENSIONS IN BRACKETS ARE METRIC EQUIVALENT.
- WIRE STRIP LENGTH: 5/16 ^{+1/32}₋₀ [7,9 ^{+0,8}₋₀]



| | | | | |
|------------------------|------------------|---|--------|------|
| PART NUMBER | | SEE TABLE | | |
| TITLE | | RING TERMINALS, 2 PC. VINYL INSULATED, #16-14 | | |
| CUSTOMER DRAWING | | | | |
| ITEM REVISION NAME | N41184BA/09 | | | |
| DATASET FILE NAME | N41184BA-DC r09A | | | |
| THIRD ANGLE PROJECTION | | | | |
| MATERIAL | SEE NOTE 3 | | | |
| DRAWING NUMBER | | A41184 | | |
| DRAWN BY | DATE | CHK | SCALE | SIZE |
| FES | - | LCA | N.T.S. | A |
| SHEET 1 OF 1 | | | | |

| REV | DATE | BY | CHK | APR | DESCRIPTION | ECN |
|-----|----------|------|------|------|---|-----------|
| 09 | 04-30-24 | DPOI | MRWA | MRJS | PMV2-3RB & PMV2-5RB NOW LISTED UN UL. UPDATED TOOLS. | 019757/01 |
| 08 | 12-13-17 | BWG | SKB | JADE | CORRECTED "M" DIMENSION FOR THE PMV2-3RB AND THE PMV2-5RB. | 019757/00 |
| 07 | 06-11-12 | BDK | LCA | VMB | ADDED PMV2-3RB & PMV2-5RB TO CHART. REVISED NOTES. UPDATED DRAWING TO CURRENT STANDARD. | A41184 |

A-SIZE CUSTOMER