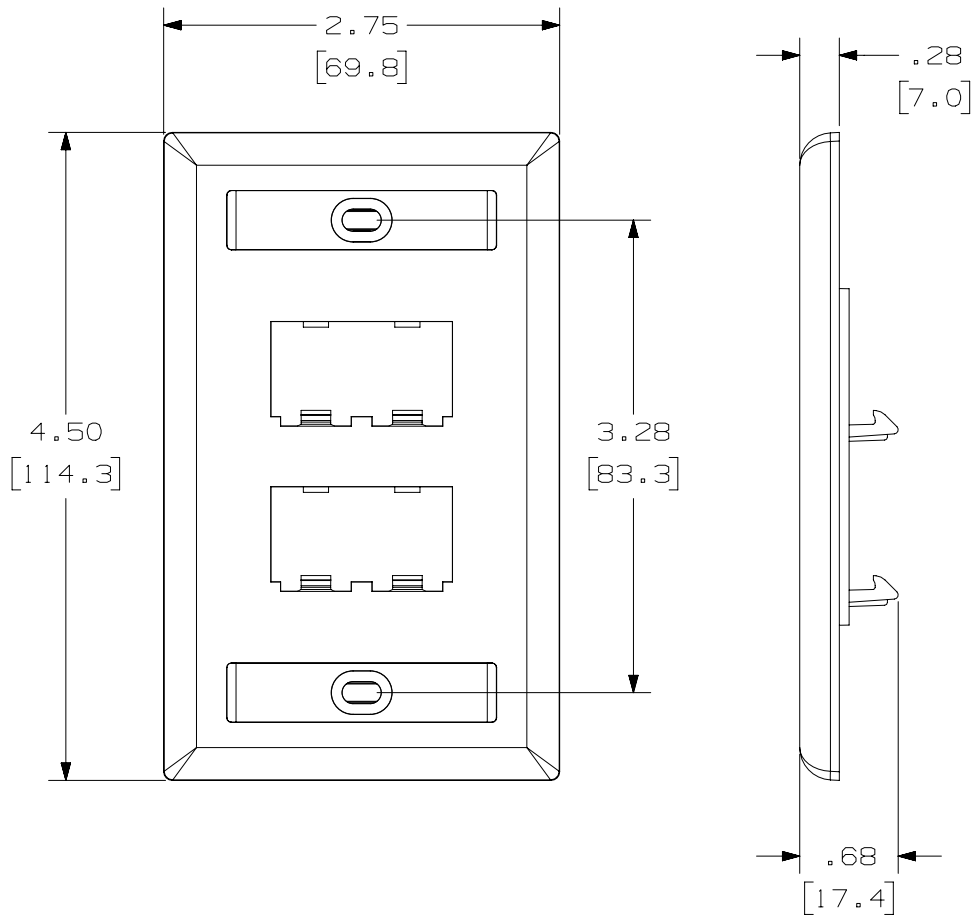
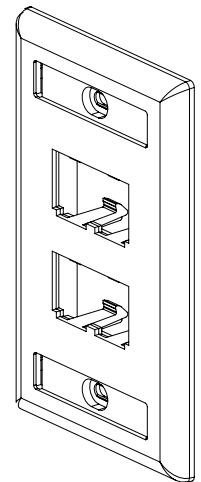


THIS COPY IS PROVIDED ON A RESTRICTED BASIS AND IS NOT TO BE USED IN ANY WAY DETRIMENTAL TO THE INTERESTS OF PANDUIT CORP.



PANDUIT P/N	WEIGHT
CFPL4**Y	.60 LB/10 PCS. (271.1 G/10 PCS.)
CFPL4**-X	.60 LB/10 PCS. (271.1 G/10 PCS.)

- NOTES:
- SEE CURRENT CATALOG FOR ADDITIONAL PART NUMBER SUFFIXES TO INDICATE COLOR AND OR PACKAGE QUANTITY.
  - SEE CATALOG FOR COMPLETE LIST OF PARTS APPLICABLE FOR USE WITH THIS PART.
  - CFPL4\*\*Y INCLUDES:
    - 1 - FACEPLATE
    - 2 - MOUNTING SCREW
    - 2 - LABEL
    - 2 - LABEL COVER
  - CFPL4\*\*-X INCLUDES:
    - 10 - FACEPLATES
    - 20 - MOUNTING SCREWS
    - 20 - LABELS
    - 20 - LABEL COVERS
  - DIMENSIONS IN [ ] ARE IN METRIC.



PART NUMBER		SEE TABLE	
TITLE			
<b>MINI-COM 4 POSITION VERTICAL CLASSIC SERIES FACEPLATE WITH LABEL/COVER</b>			
CUSTOMER DRAWING			
ITEM REVISION NAME		M02479EF/02	
DATASET FILE NAME		M02479EF_DC/02A	
UNLESS OTHERWISE SPECIFIED, DIMENSIONAL TOLERANCES ARE: IN [ mm ]		MATERIAL:	
.x ± .xx ± .03 [ .8 ]		ABS	
.xxx ± .010 [ .3 ] ANGLES ±		DRAWING NUMBER:	
THIRD ANGLE PROJECTION		02479-111	
DRAWN BY	DATE	CHK	SCALE
JSP	7-28-06	MJD	NONE
SHT 1 OF 1			SIZE
A			A

REV	DATE	BY	CHK	APR	DESCRIPTION	ECN
02A	12-14-21	MDJR	JCO	REFR	B. ADDED BULK PACK PART NUMBER.	02479-111
1	4/15/14	JSP	REFR	MMR	A. REVISED DRAWING TITLE BLOCK.	02479-111
R	7-28-06	JSP	MJD	MJD	RELEASED TO PRODUCTION	02479-111

D10100DA/14