

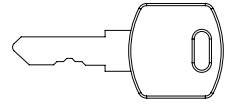
XG-SPFS\*\*\*\*



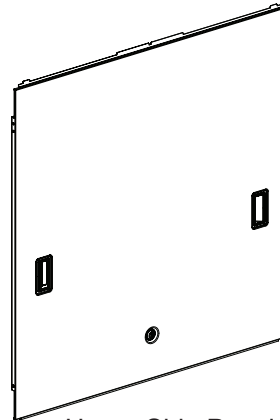
**Tool List:**

- T25 Torx

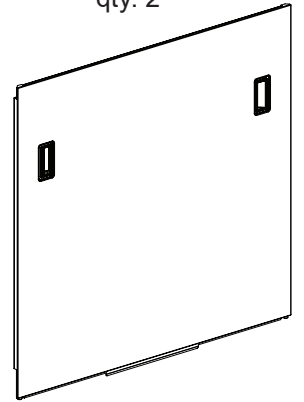
**Components Included:**



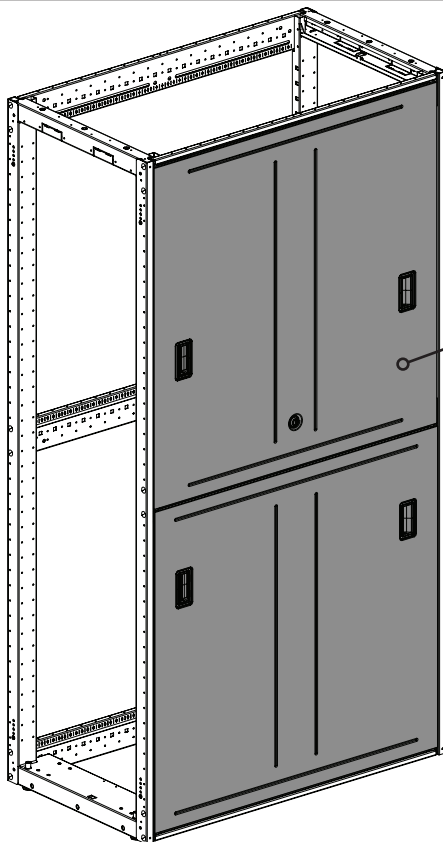
Keys  
qty. 2



Upper Side Panel  
qty. 1

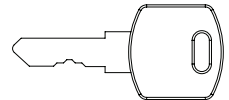


Lower Side Panel  
qty. 1

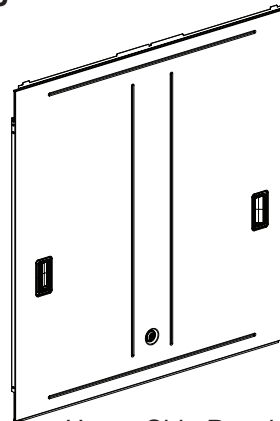


XGL-SPFS\*\*\*\*

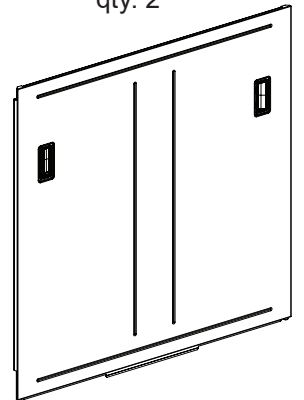
**Components Included:**



Keys  
qty. 2



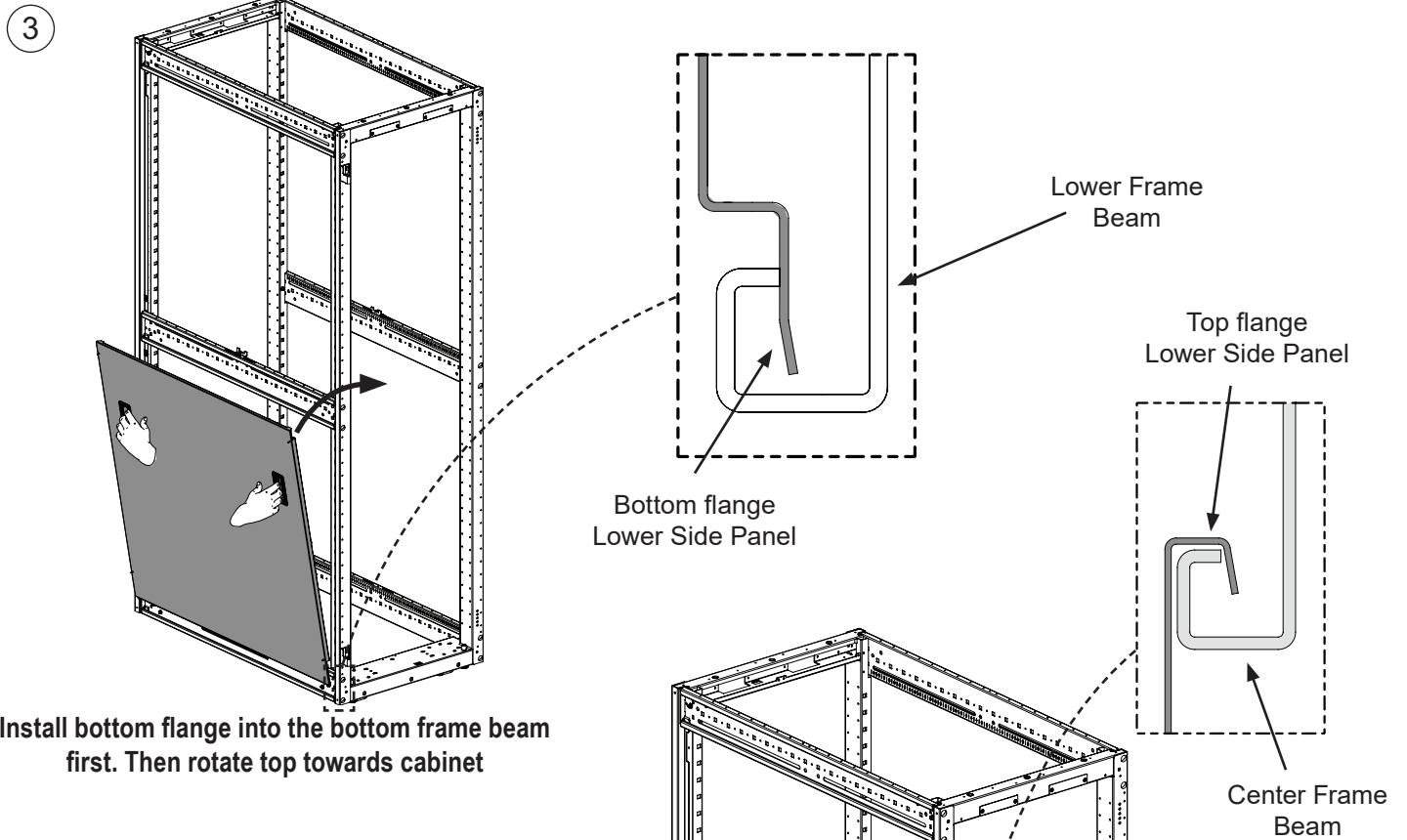
Upper Side Panel  
qty. 1



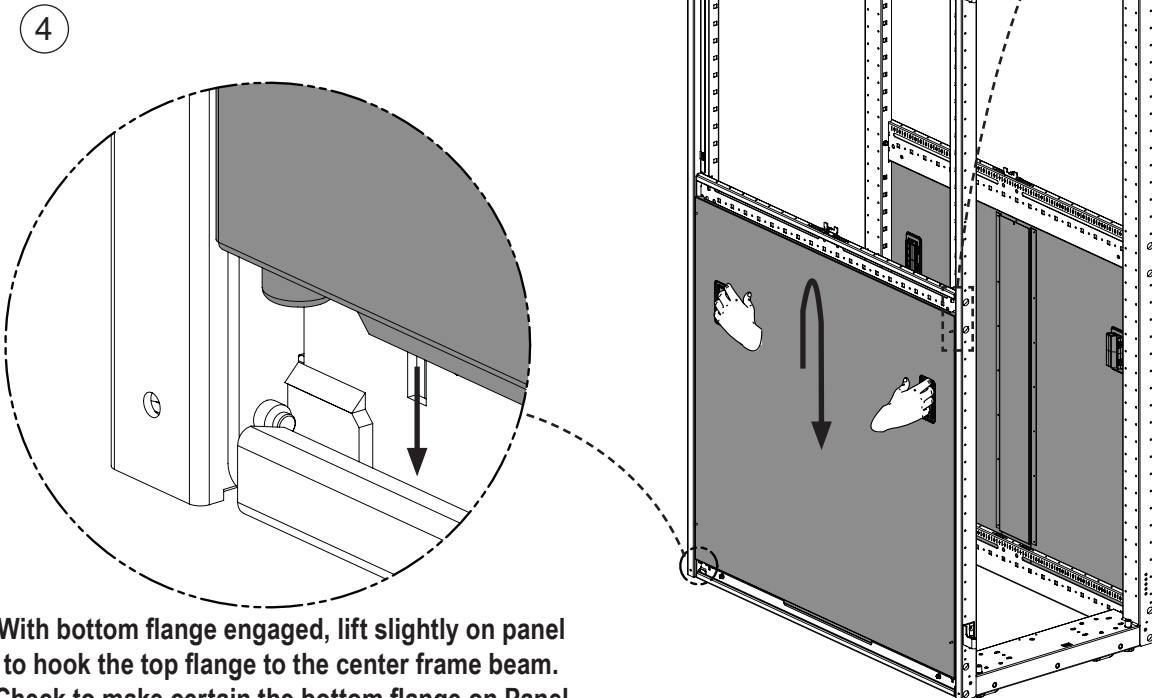
Lower Side Panel  
qty. 1

### Lower Side Panel Installation

- Install the bottom flange of the Lower Side Panel into the Lower Beam as shown.
- Rotate Lower panel upwards and hook the top flange of the Lower Panel to the center frame beam as shown.



Install bottom flange into the bottom frame beam first. Then rotate top towards cabinet

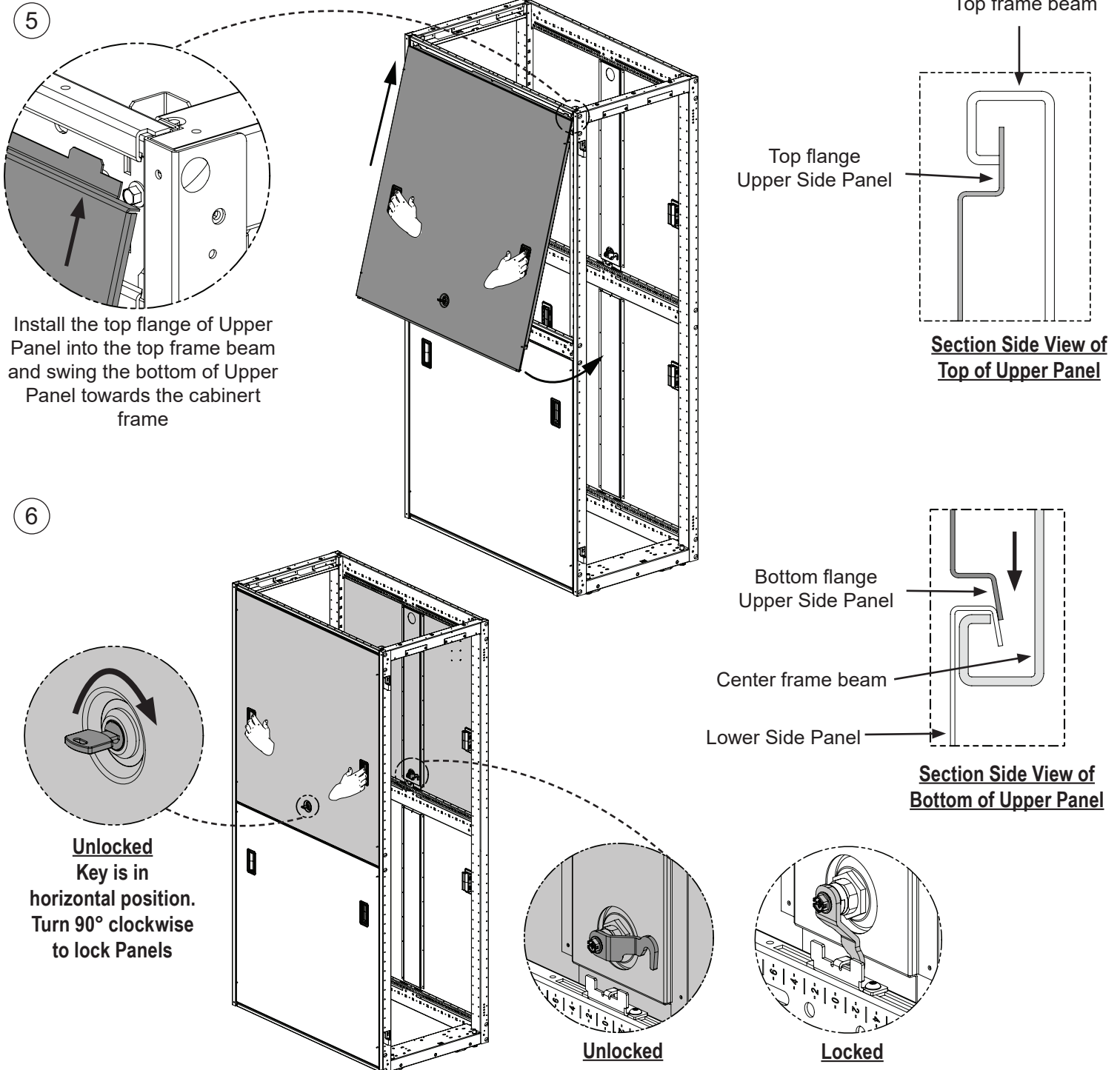


With bottom flange engaged, lift slightly on panel to hook the top flange to the center frame beam. Check to make certain the bottom flange on Panel stayed engaged to the Lower Frame Beam

## Upper Side Panel Installation

- Lower Panel must be installed before installing Upper Panel.
- Check to make certain the Upper Panel is in the unlocked position before installing onto cabinet.
- Leveling legs should be extended to prevent cabinet rolling on casters during Upper Panel installation.
- Install the top flange of the Upper Panel into the top frame beam. While holding Upper Panel tight to top frame beam, swing the bottom of the Upper Panel in and towards cabinet.
- Let Upper Panel's bottom flange drop down behind the Lower Panel's top flange.
- Lock Upper Panel.

**Reverse Steps 3 thru 6 to remove Side Panels. Upper Side Panel must be removed first.**



For Instructions in Local Languages and Technical Support:

[www.panduit.com/resources/install\\_maintain.asp](http://www.panduit.com/resources/install_maintain.asp)

**PANDUIT**  
www.panduit.com

E-mail: [techsupport@panduit.com](mailto:techsupport@panduit.com)

Phone: 866-405-6654