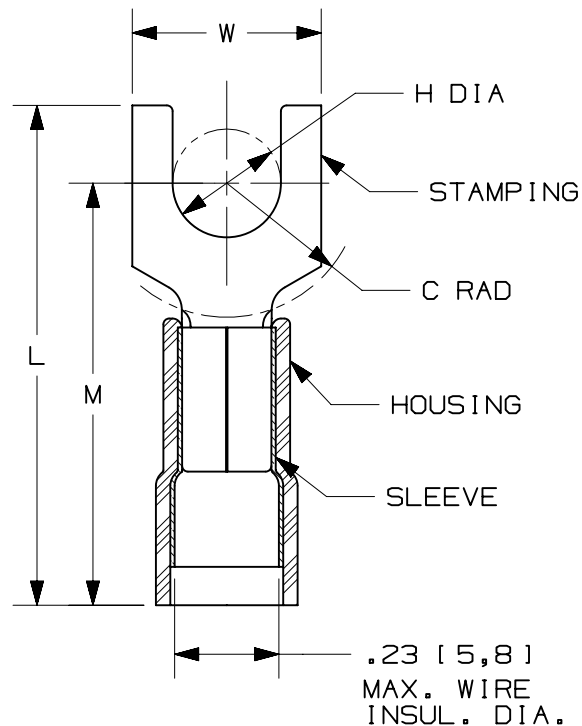


THIS COPY IS PROVIDED ON A RESTRICTED BASIS AND IS NOT TO BE USED IN ANY WAY DETRIMENTAL TO THE INTERESTS OF PANDUIT CORP.

PANDUIT PART #	STUD SIZE	DIMENSIONS in. [mm]					TOOLS
		L ± .04 [1,0]	W ± .01 [0,3]	C ± .02 [0,5]	M ± .04 [1,0]	H ± .01 [0,3]	
PN10-6F	#6	1.00 [25,4]	.31 [7,9]	.22 [5,6]	.81 [20,6]	.15 [3,8]	CT-100A CT-400 CT-460 CT-600A (CT-550CH) CT-1550 CT-1551 CT-2500 (CT-2550CH)
PN10-8F	#8	1.03 [26,2]	.37 [9,4]	.22 [5,6]	.81 [20,6]	.17 [4,3]	
PN10-10F	#10	1.04 [26,4]	.37 [9,4]	.22 [5,6]	.81 [20,6]	.20 [5,1]	
PN10-14F	1/4"	1.14 [29,0]	.49 [12,4]	.30 [7,6]	.90 [22,9]	.27 [6,9]	



NOTES:

- cULus LISTED FOR:

 - A. #12-10 AWG [4,0-6,0 mm²] SOLID OR STRANDED COPPER WIRE
 - B. 221°F [105°C] MAX. OPERATING TEMPERATURE
 - C. 600 V. MAX. VOLTAGE RATING
1000 V. MAX. IN SIGNS, FIXTURES & LUMINARIES
- SEE www.panduit.com FOR PACKAGE QUANTITIES
- MATERIAL:

 - A. STAMPING: .04" [1,0] THK COPPER, TIN PLATED
 - B. HOUSING: NYLON, YELLOW
 - C. SLEEVE: BRASS, TIN PLATED
- DIMENSIONS IN BRACKETS ARE METRIC EQUIVALENT
- WIRE STRIP LENGTH: 9/32" +^{1/32}₀ [7,1^{0,8}₀]



TITLE		FORK TERMINALS, NYLON INSULATED, #12-10 CUSTOMER DRAWING		
ITEM REVISION NAME		N41190BA/07		
DATASET FILE NAME		N41190BA_DC/07A		
UNLESS OTHERWISE SPECIFIED, DIMENSIONAL TOLERANCES ARE: IN [mm]		MATERIAL: SEE NOTES		
.X ± .XX ±		.XXX ± ANGLES ±		
DRAWN BY		DATE		DRAWING NUMBER:
FES		-		A41190
CHK		SCALE		THIRD ANGLE PROJECTION
LA		N.T.S.		SHT 1 OF 1
REV		DATE		SIZE
BY		APR		A
CHK		DESCRIPTION		
APR		ECN		

07	06/14	MBY	JHNU	RGB	REVISED NOTES, MOVED TOOLS TO TABLE, REVISED CERTIFICATION	N41190BA-A41190
REV	DATE	BY	CHK	APR	DESCRIPTION	ECN

917000DA/16