

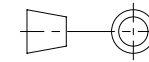
PANDUIT PART NO.	WEIGHT
AR4P	88 LBS
AR4PWH	39.9 Kg

NOTES:

- VISIT OUR ON-LINE CATALOG AT WWW.PANDUIT.COM FOR A LIST OF CURRENT PARTS APPLICABLE FOR USE WITH THIS PRODUCT.
- DIMENSIONS IN PARENTHESIS ARE METRIC.
- RACK DEPTH IS ADJUSTABLE FROM 23" TO 42" AT 1/2" INCREMENTS.
- CAN BE USED WITH ANY EIA STANDARD COMPONENT IN ADDITION TO ALL PANDUIT HORIZONTAL CABLE MANAGEMENT AND PATCH PANEL PRODUCTS.
- 45 AVAILABLE RACK SPACES.
- EIA UNIVERSAL STANDARD HOLE PROGRESSION ON FRONT AND REAR CHANNELS.
.625", .625", .500", .625", .625", .500"...ETC.
- ALL RACKS WILL HAVE NUMBERS UP ORIENTATION (RU "01" ON BOTTOM, RU "45" ON TOP).
- RU SPACING NUMBERS ARE CLEARLY PRINTED ON MOUNTING RAILS.
- ALL ASSEMBLY HARDWARE INCLUDED:
(2) 84" TALL WELDED RACK FRAME WITH #12-24 TAPPED MOUNT HOLES
(4) ADJUSTABLE DEPTH MOUNT BRACKETS
(1) HARDWARE KIT
- EASY ASSEMBLY, ONE WRENCH NEEDED TO INSTALL CARRIAGE BOLTS INTO IN ALL 8 CORNERS.
- FULLY BONDED STRUCTURE WHEN ASSEMBLED PER INSTRUCTIONS.
- LOAD RATING - 2000 LBS.

PART NUMBER		AR4P / AR4PWH	
TITLE			
STEEL 4 POST RACK, 45RU TAPPED RAILS, ADJUSTABLE DEPTH FROM 23" TO 42"			
CUSTOMER DRAWING			
ITEM REVISION NAME		00448EAE/02	
DATASET FILE NAME		00448EAE_DC/02B	
MATERIAL		STEEL	
DRAWN BY		DATE	CHK
TWW		10-21-19	RYB
SCALE		NONE	
DRAWING NUMBER			SIZE
00448EAE - DC			A
SHEET 1 OF 3			

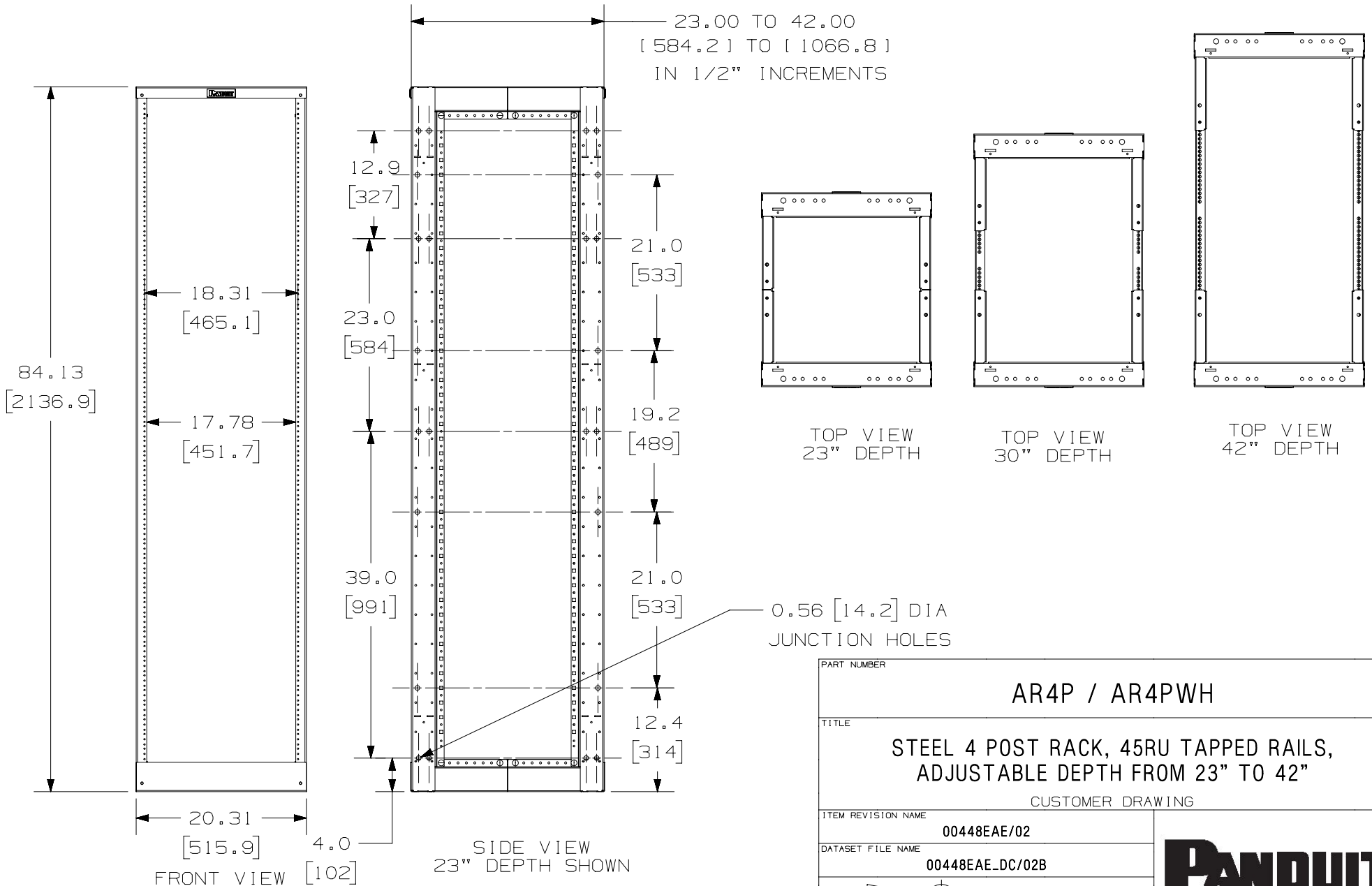
REV	DATE	BY	CHK	APR	DESCRIPTION	ECN
02B	2-8-22	TWV	KRKE	JEFK	UPDATED GROUNDING MASKED AREA NOTE	M09000LA/07
02A	6-22-21	RYB	KRKE		ADDED RACK EIA DIMENSIONS	M09000LA/06
01A	10-13-20	RYB	KRKE		UPDATED VIEWS	



THIRD ANGLE PROJECTION

A-SIZE CUSTOMER

THIS COPY IS PROVIDED ON A RESTRICTED BASIS AND IS NOT TO BE USED IN ANY WAY DETRIMENTAL TO THE INTERESTS OF PANDUIT CORP.

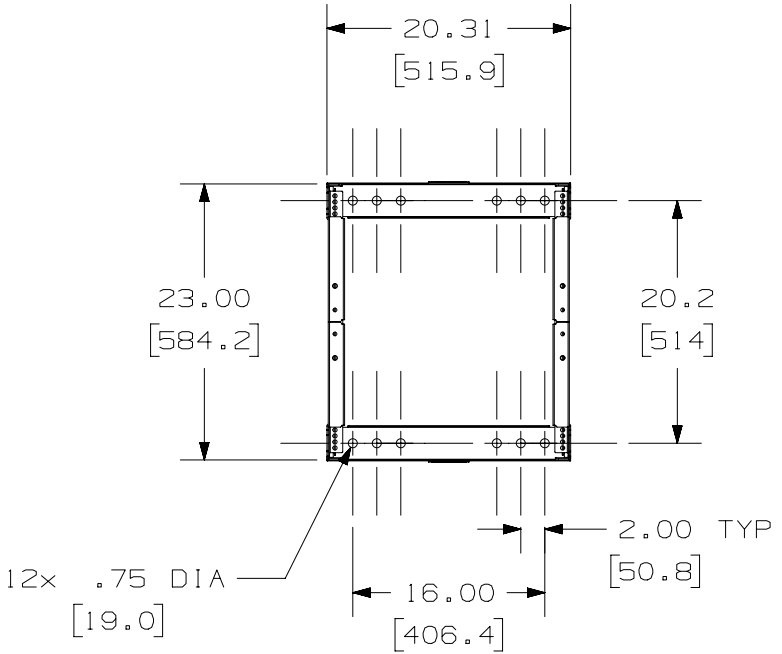


PART NUMBER		AR4P / AR4PWH	
TITLE			
STEEL 4 POST RACK, 45RU TAPPED RAILS, ADJUSTABLE DEPTH FROM 23" TO 42"			
CUSTOMER DRAWING			
ITEM REVISION NAME		00448EAE/02	
DATASET FILE NAME		00448EAE_DC/02B	
MATERIAL		STEEL	
DRAWN BY		DATE	CHK
TWV		1-22-20	RYB
SCALE		NONE	
DRAWING NUMBER		00448EAE - DC	
SHEET 2 OF 3		A	

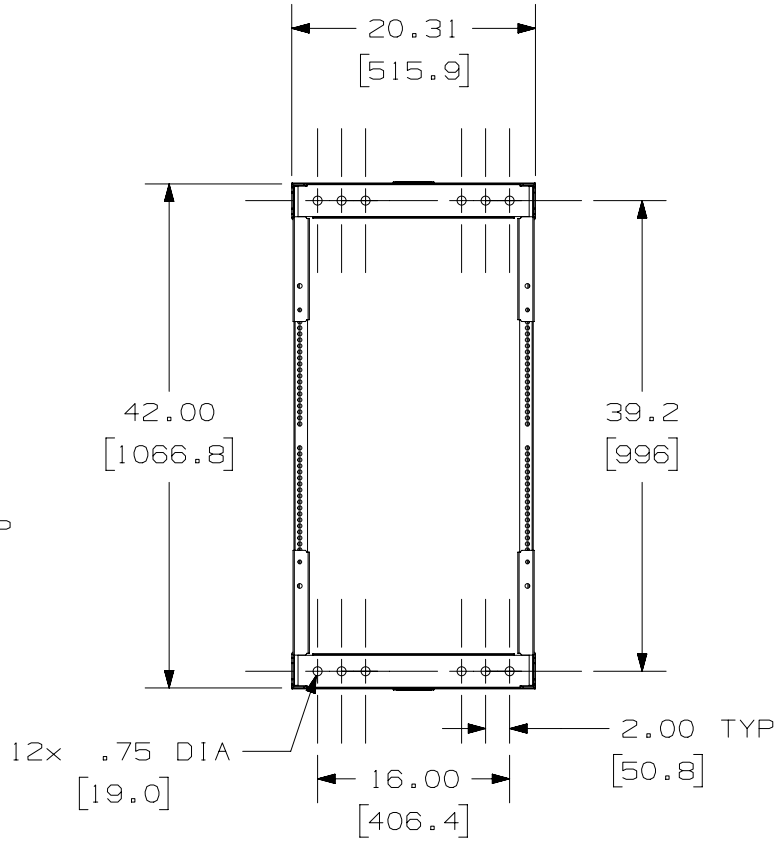
REV	DATE	BY	CHK	APR	DESCRIPTION	ECN
02B	2-8-22	TWV	KRKE	JEFK	SEE SHEET ONE FOR REVISIONS	M09000LA/07
02A	6-22-21	RYB	KRKE		SEE SHEET ONE FOR REVISIONS	M09000LA/06

A-SIZE CUSTOMER

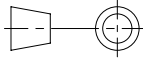
THIS COPY IS PROVIDED ON A RESTRICTED BASIS AND IS NOT TO BE USED IN ANY WAY DETRIMENTAL TO THE INTERESTS OF PANDUIT CORP.



FLOOR FOOTPRINT AT 23" MINIMUM DEPTH



FLOOR FOOTPRINT AT 42" MAXIMUM DEPTH

PART NUMBER		AR4P / AR4PWH		
TITLE		STEEL 4 POST RACK, 45RU TAPPED RAILS, ADJUSTABLE DEPTH FROM 23" TO 42"		
CUSTOMER DRAWING				
ITEM REVISION NAME		00448EAE/02		
DATASET FILE NAME		00448EAE_DC/02B		
		THIRD ANGLE PROJECTION		
MATERIAL		STEEL		
DRAWING NUMBER		00448EAE - DC		
DRAWN BY	DATE	CHK	SCALE	SIZE
TWV	1-22-20	RYB	NONE	A

A-SIZE CUSTOMER

REV	DATE	BY	CHK	APR	DESCRIPTION	ECN
02B	2-8-22	TWV	KRKE	JEFK	SEE SHEET ONE FOR REVISIONS	M09000LA/07
02A	6-22-21	RYB	KRKE		SEE SHEET ONE FOR REVISIONS	M09000LA/06