

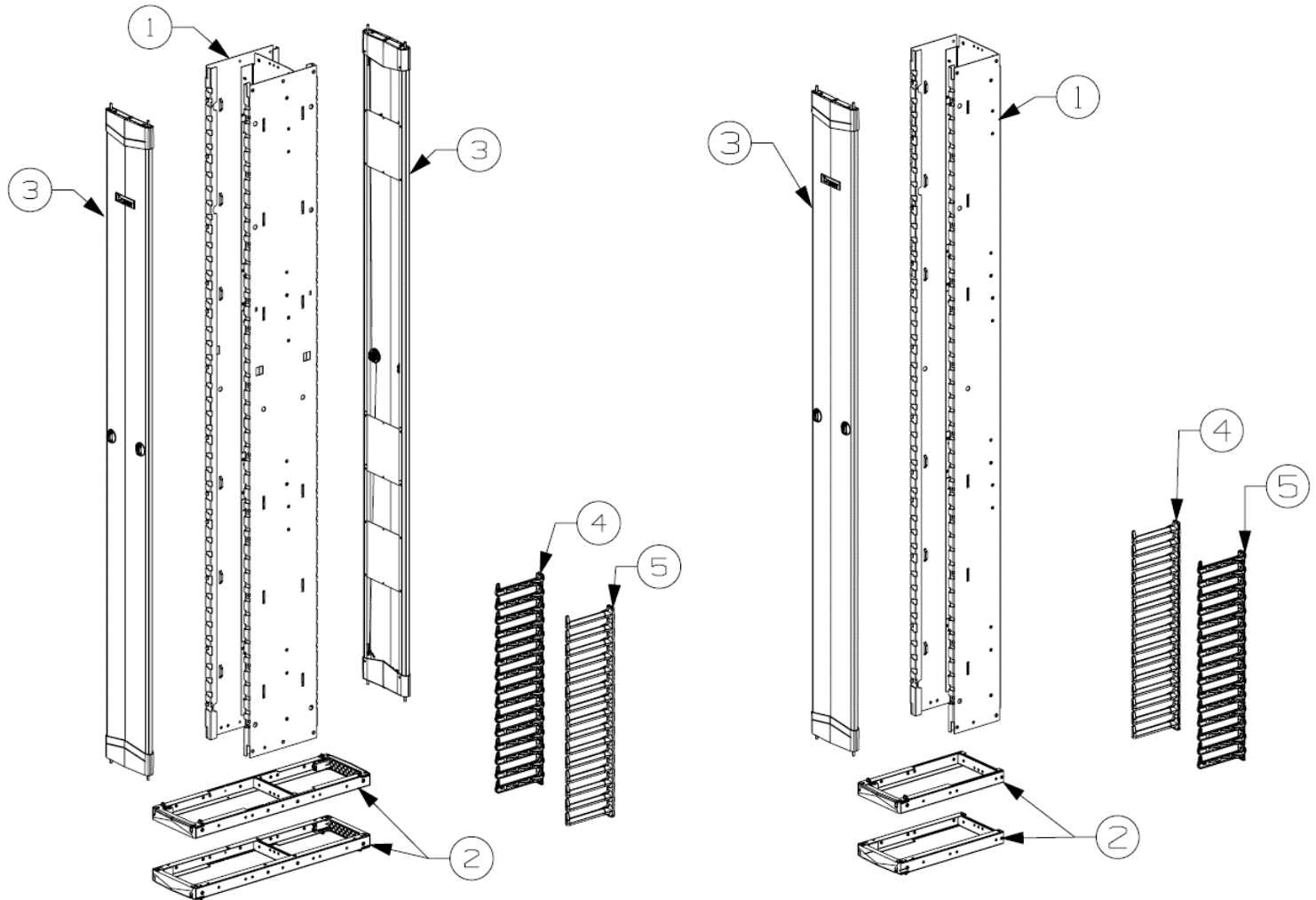
Table of Contents

Description	Page
Part Configurations and Contents	2
Door Support Installation	3
Orientation of Vertical Manager to Rack	4
Installation of Vertical Manager to Rack	5
End of Row Bracket Condition (Optional)	6
Finger Installation.....	7
Door Installation	8
EIA 19" Equipment Vertical Mounting	9
End Panel Installation.....	11
Other Compatible Accessories.....	12

Part Numbers			
Style	Front/Rear Two doors	Front Only Single Door	Front/Rear Single door
7ft Tall	PE2VD06	PE2VFD06	PE2VSD06
	PE2VD08	PE2VFD08	PE2VSD08
	PE2VD10	PE2VFD10	PE2VSD10
	PE2VD12	PE2VFD12	PE2VSD12
8ft Tall	PE2VD0696	PE2VFD0696	PE2VSD0696
	PE2VD0896	PE2VFD0896	PE2VSD0896
	PE2VD1096	PE2VFD1096	PE2VSD1096
	PE2VD1296	PE2VFD1296	PE2VSD1296
Add "WH" as a suffix to the part numbers listed above to identify a white part, such as PE2VD06WH			

Tools required:

- 3mm Allen Wrench (Door Support installation)
- 17mm Wrench (Rack installation)
- 18mm Wrench (Rack installation)
- 5mm Allen Wrench (Optional End of Row Bracket installation)



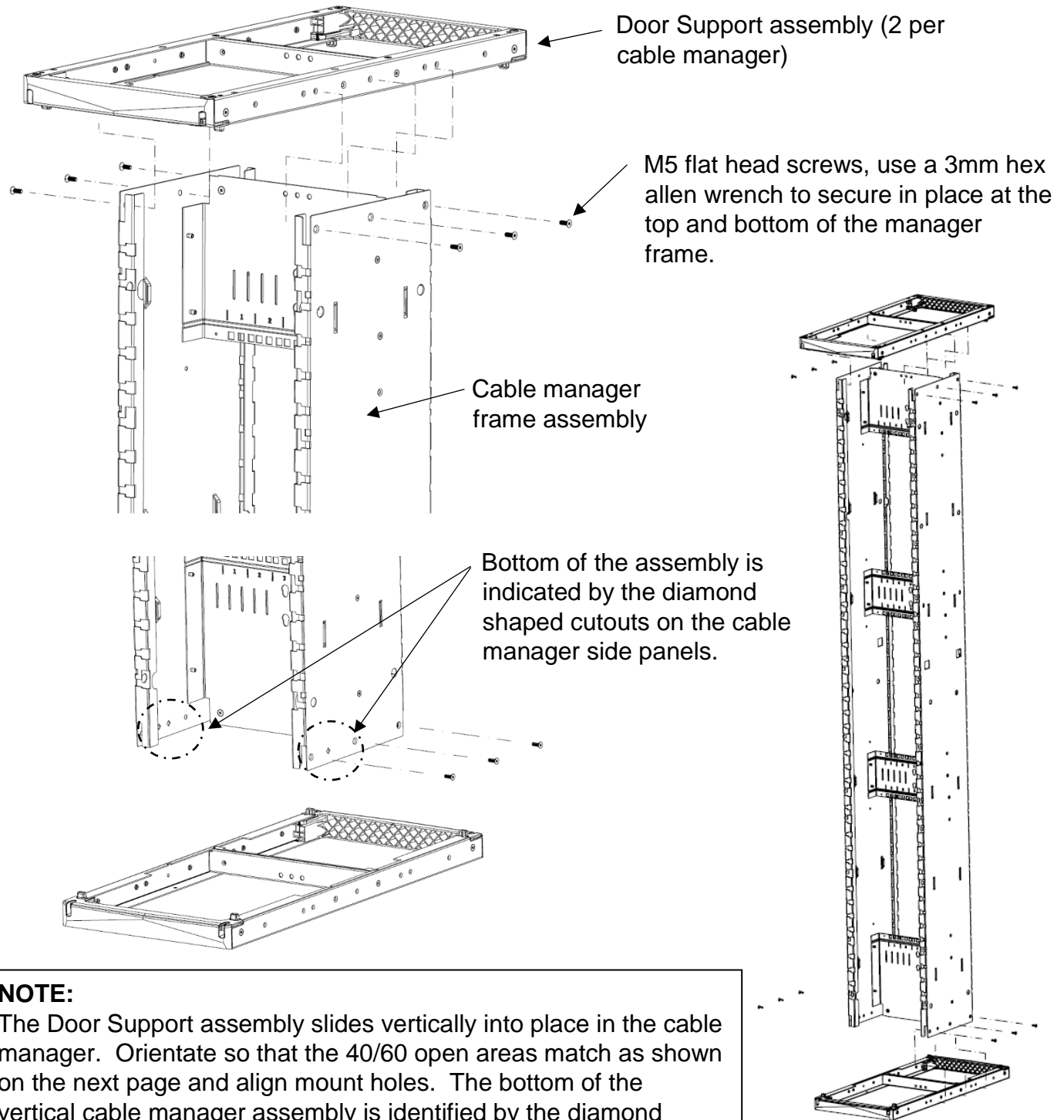
Front / Rear Assembly Contents

- (1) **PATCHRUNNER™ 2** Enhanced Vertical Cable Manager
- (2) Door Support assemblies – Qty 2
- (3) **PATCHRUNNER™ 2** door – Qty 2
- (4) Molded cable management left finger kits
7ft – Qty 6 8ft – Qty 8
- (5) Molded cable management right finger kits
7ft – Qty 6 8ft – Qty 8
- (6) Hardware Kit (not shown)
Includes:
M12 Serrated Flange Bolts and Hex Nuts – Qty 6
End of Row Bracket with (2) M6 Socket Head Cap Screws
M5 Flat Head hex drive screws – Qty 12

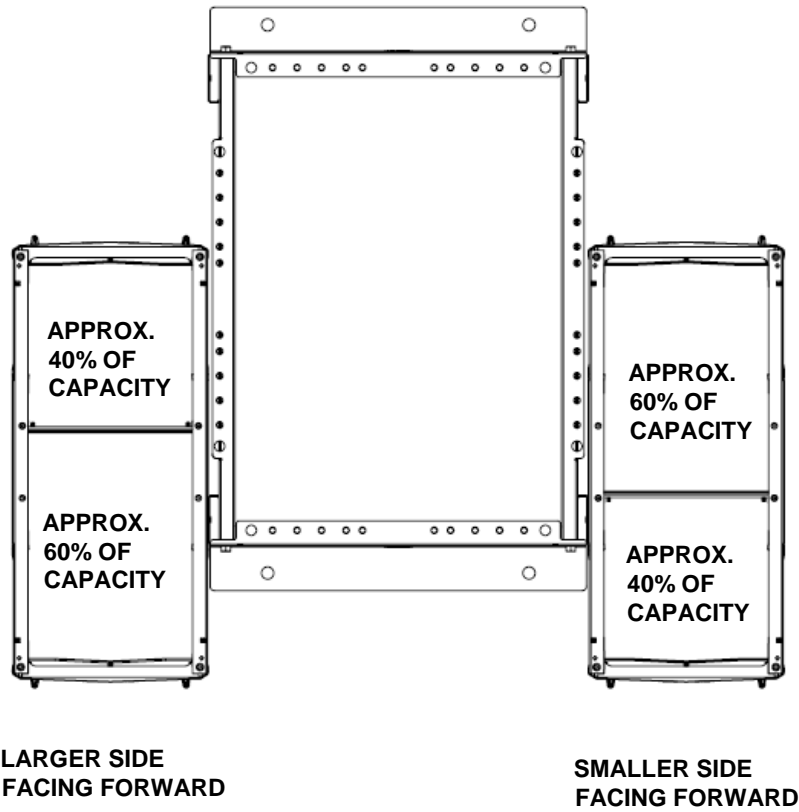
Front Only Assembly Contents

- (1) **PATCHRUNNER™ 2** Enhanced Vertical Cable Manager
- (2) Door Support assemblies – Qty 2
- (3) **PATCHRUNNER™ 2** door – Qty 1
- (4) Molded cable management left finger kits
7ft – Qty 3 8ft – Qty 4
- (5) Molded cable management right finger kits
7ft – Qty 3 8ft – Qty 4
- (6) Hardware Kit (not shown)
Includes:
M12 Serrated Flange Bolts and Hex Nuts – Qty 6
M5 Flat Head hex drive screws – Qty 12

Door Support Installation



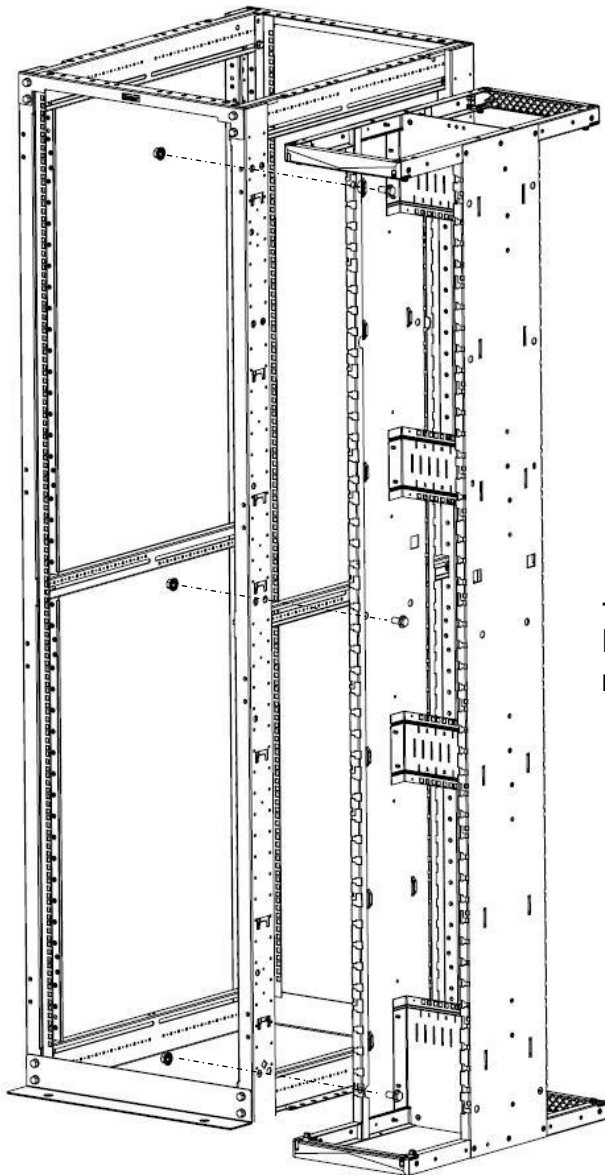
Determine Cable Manager Mount Orientation to the Rack



PATCHRUNNER™ 2 Enhanced Vertical Cable Managers may be installed with either side facing forward.

Installation of Vertical Cable Managers to Racks

The Vertical Cable Manager will mount to the rack in 3 locations using (3) M12 Serrated Flange Bolts and (3) M12 Serrated Flange Nuts on 2 Post and 4 Post racks regardless of size.

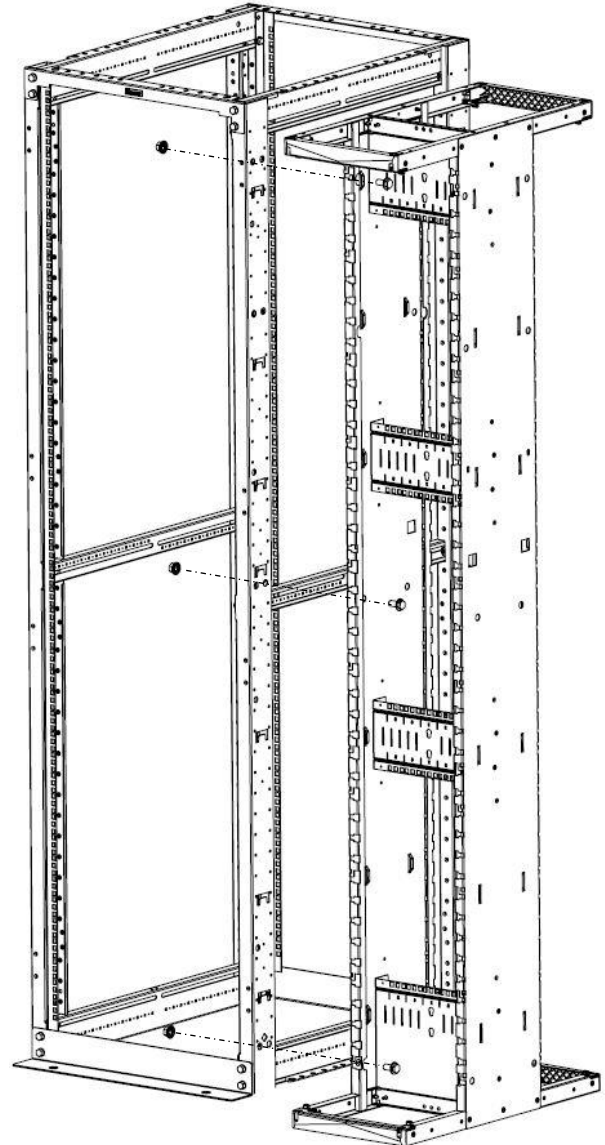


-Top -
Forward
mount hole

-Middle-
Rear
mount hole

-Bottom-
Forward
mount hole

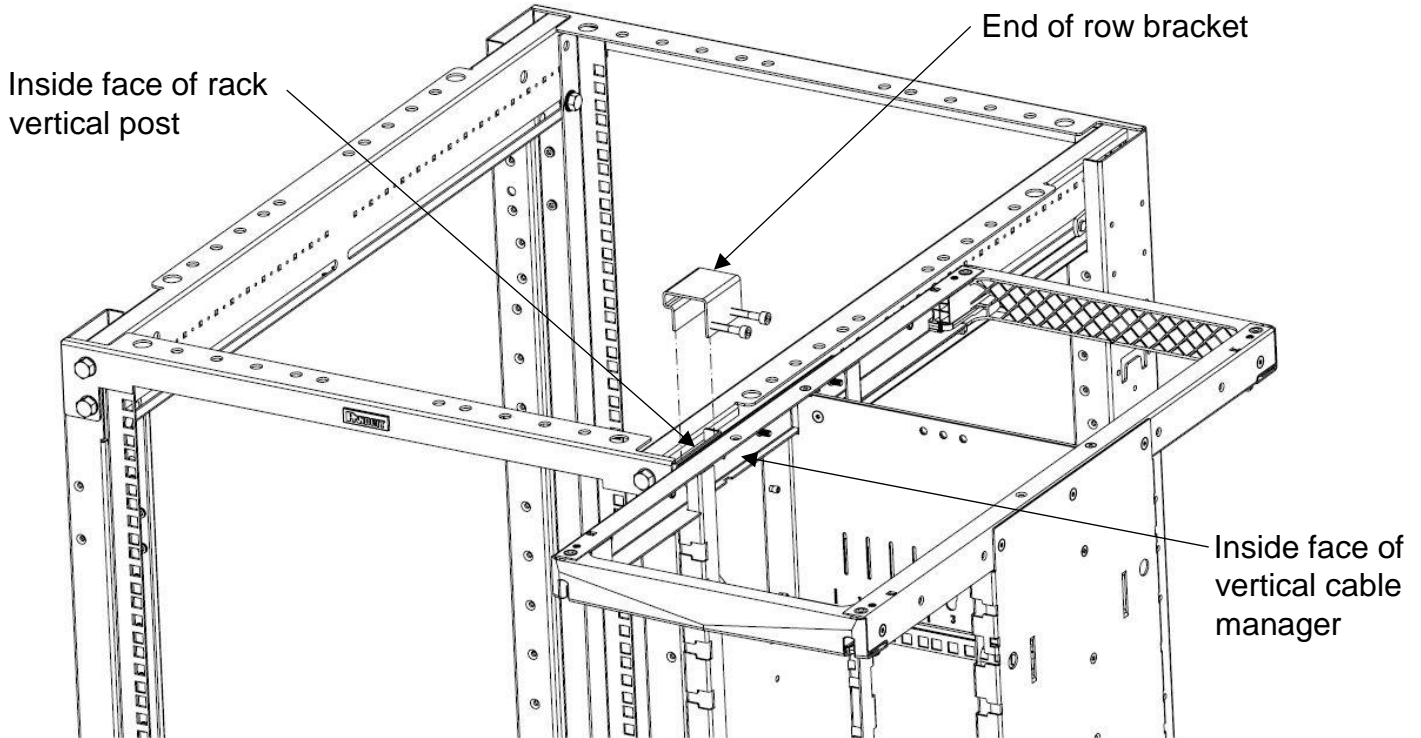
Installed view with 60% capacity side of the vertical cable manager facing



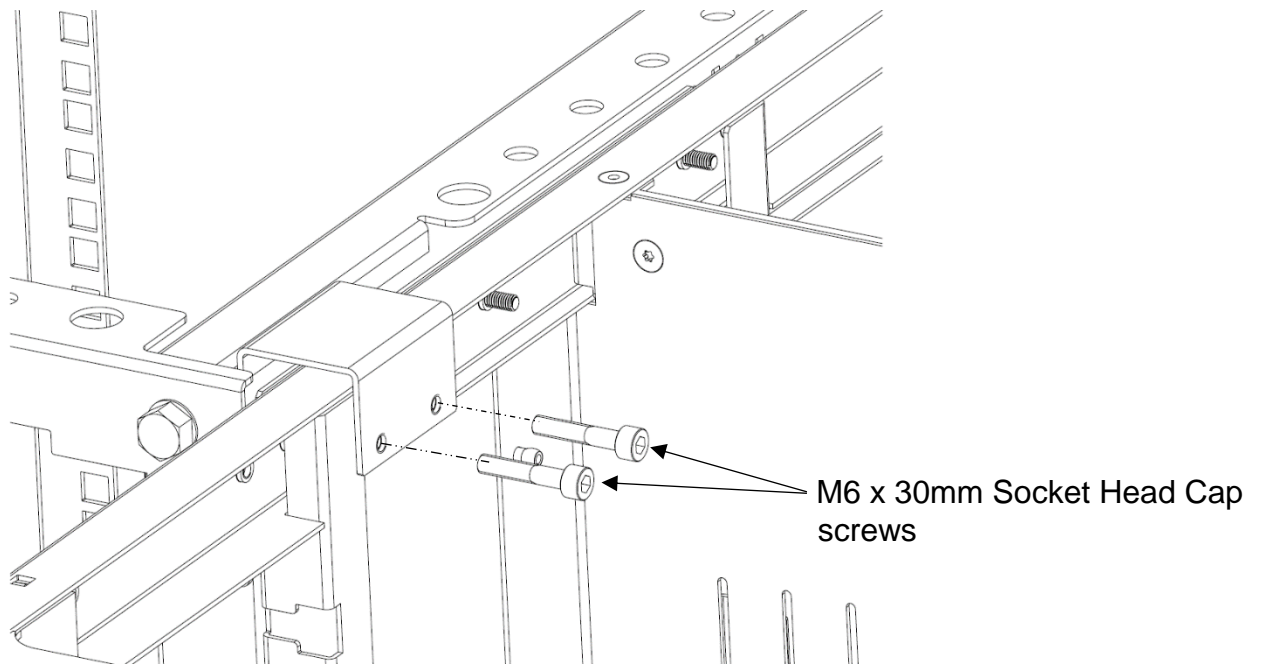
Installed view with 40% capacity side of the vertical cable manager facing forward

The racks have pairs of mounting holes where the vertical cable manager can be mounted, but the vertical cable manager is designed to use only one mounting hole per pair. Align the mount holes as shown. The mount holes used on the rack will be the forward holes on the top and bottom mount locations and the rear rack hole in the center mount location regardless of which side of the vertical cable manager is facing forward.

End of row bracket condition (Optional)



Place end of row bracket around inside face of the rack vertical post and inside face of Vertical Cable Manager as shown.

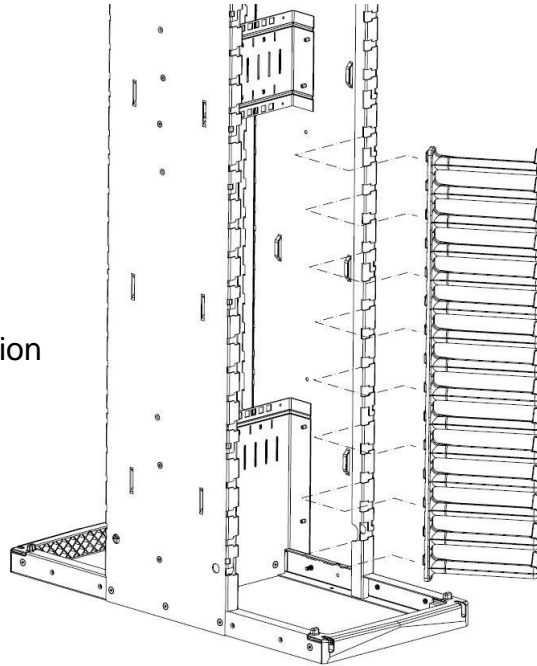


Tighten the end of row bracket using (2) M6 x 30mm Socket Head Cap screws.

Finger Installation to *PATCHRUNNER™ 2* Enhanced Vertical Managers

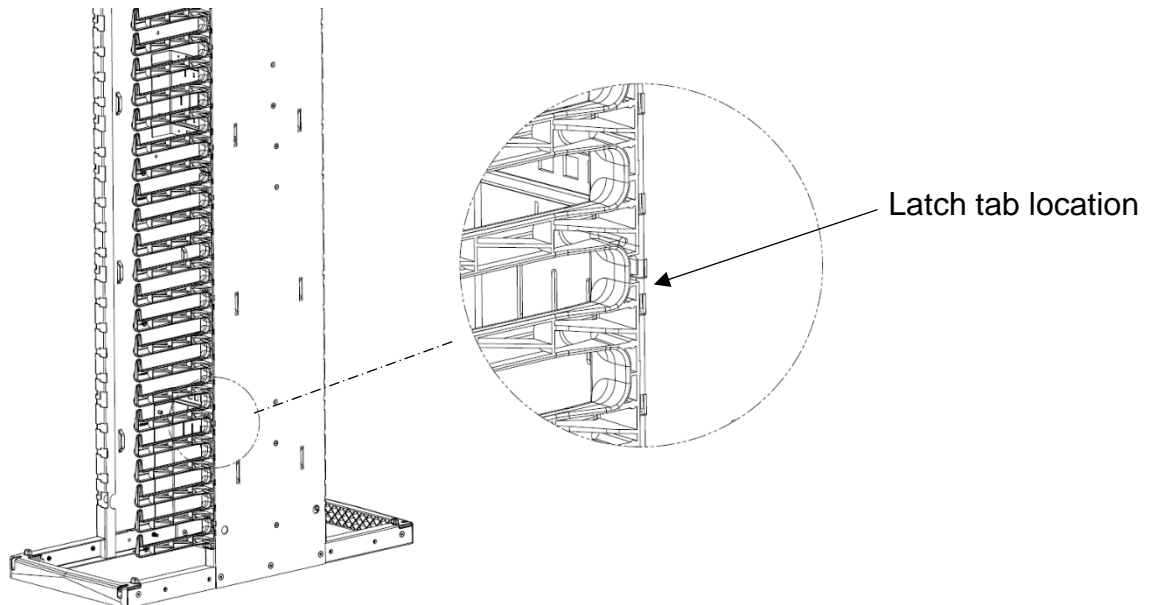
7 ft Managers:
3 Fingers per side

8 ft Managers:
4 Fingers per side
With the shorter section
Installed at the top position



Align finger mount tabs with mounting slots on the manager side panels. Finger sections installed pointed up with the rounded side facing inward. Push toward the outside of the manager until you hear an audible “click”.

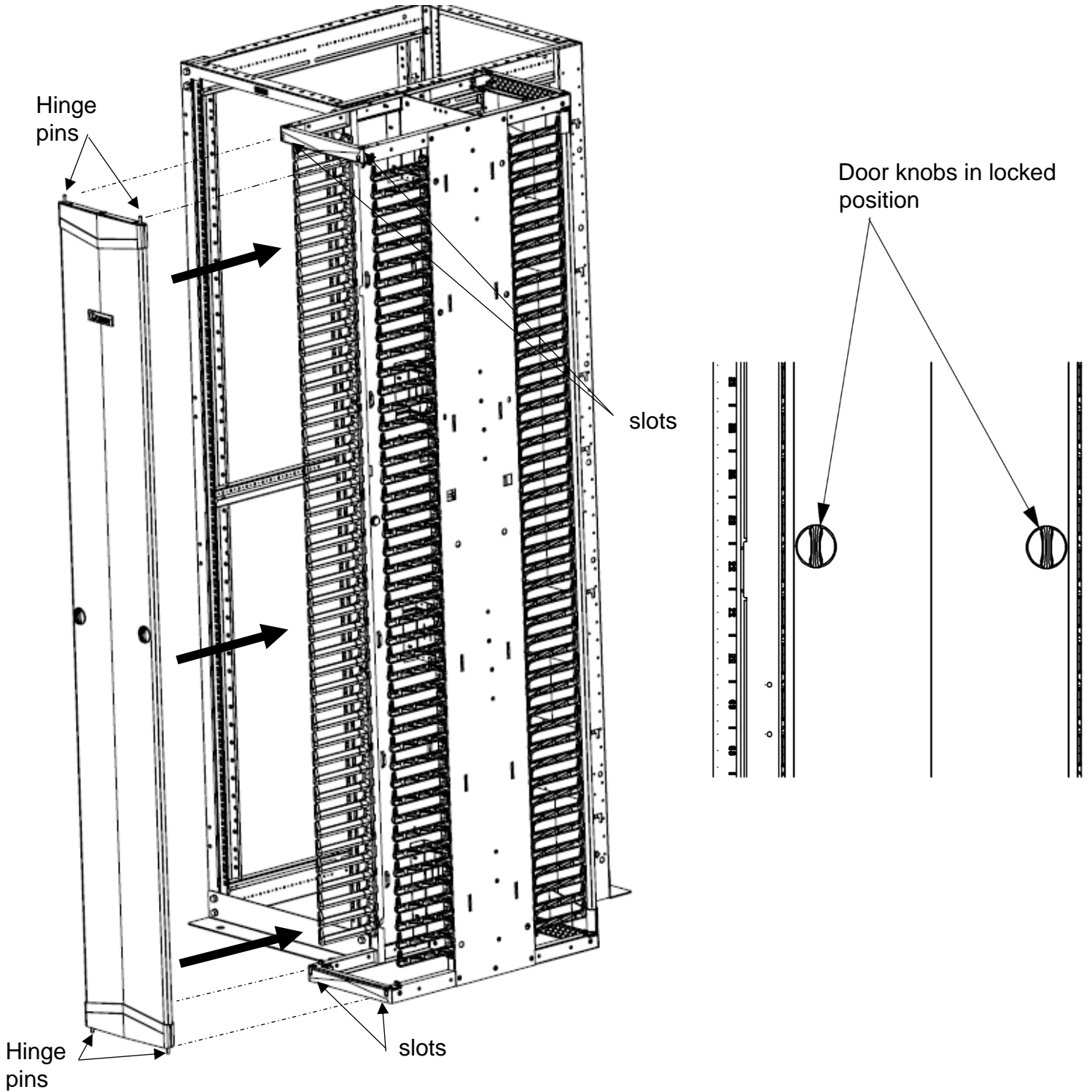
Finger Removal and Replacement



Step 1:
Using a flat head screwdriver, gently pry up plastic latches in (4) places indicated while at the same time applying forward pressure to the finger section.

Step 2:
Push out the finger section toward the inside of the manager.

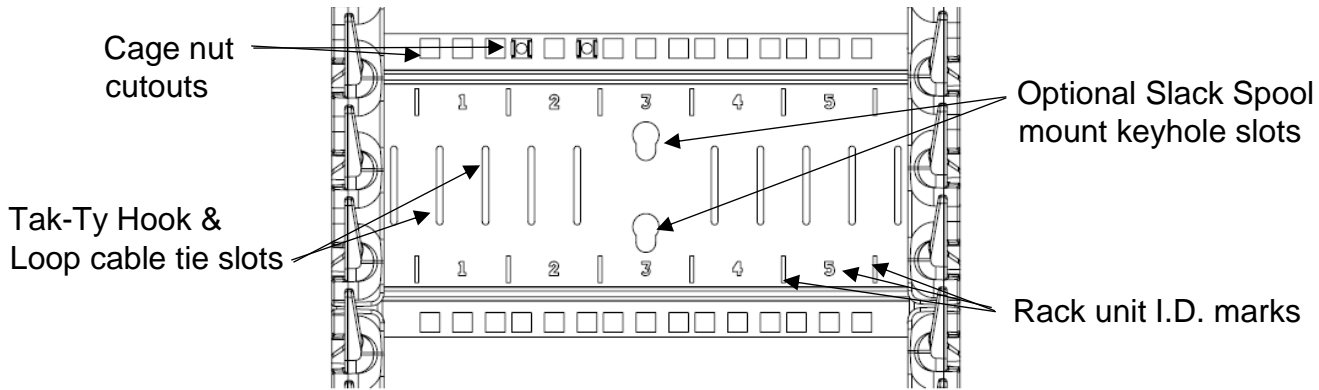
Door Installation



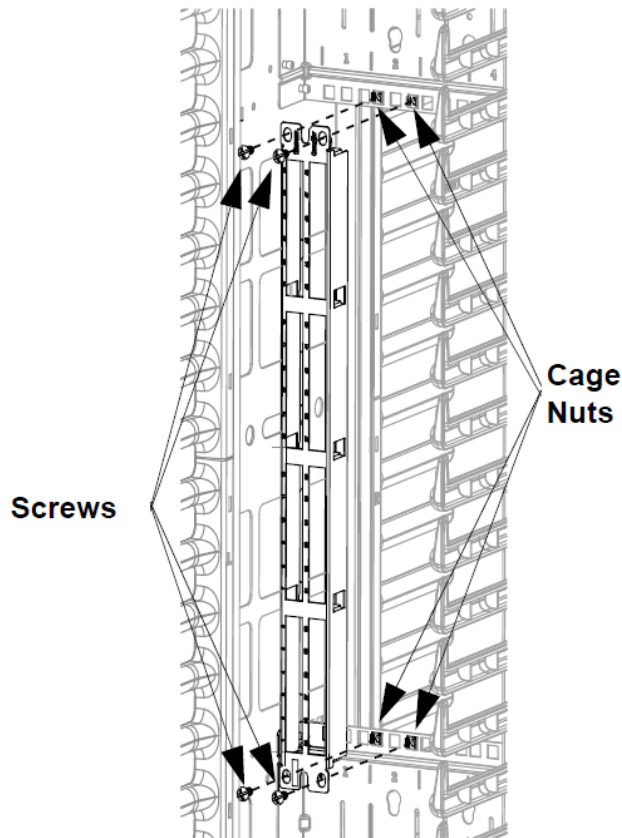
Align Door hinge pins on 4 sides to slots on door supports and simply push closed. The door knobs will be in locked position as shown.

EIA 19" Equipment Vertical Mounting Instructions

1. Mount the appropriate cage nuts to the square cutouts provided in the cable manager horizontal panels to allow mounting of EIA 19" equipment.
2. Secure equipment using appropriate screws.

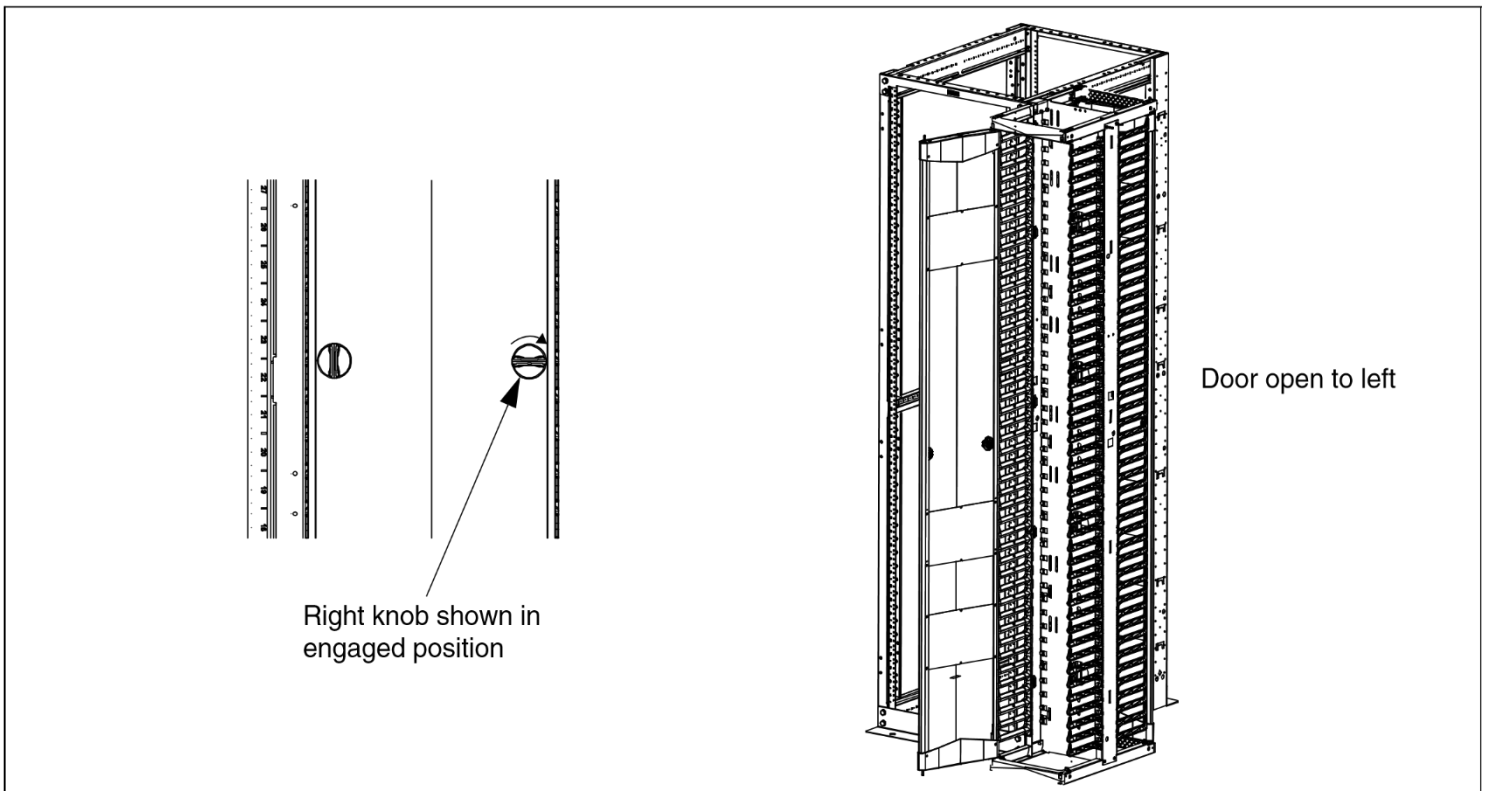
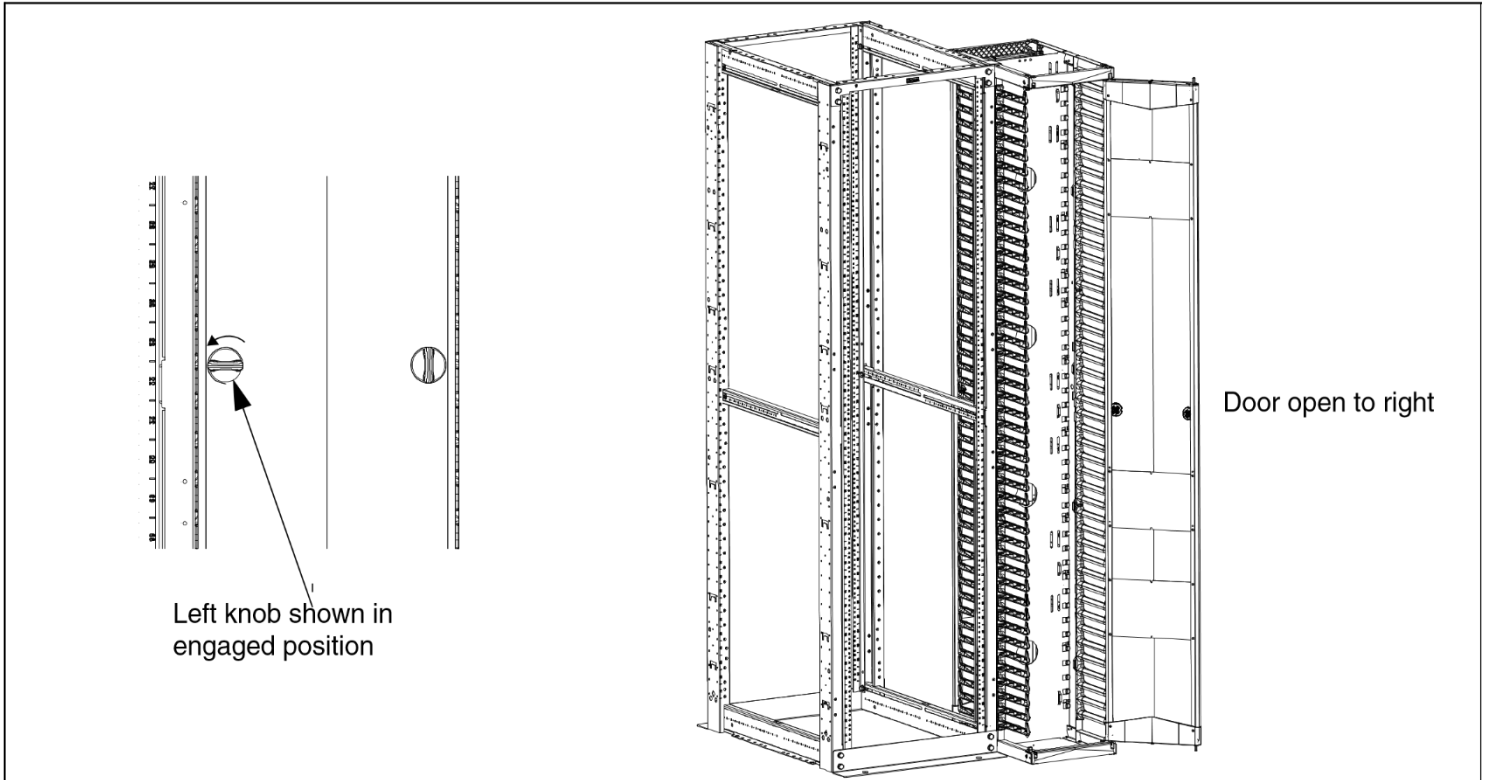


Cable Manager Horizontal Panel



Quick Net Patch Panel

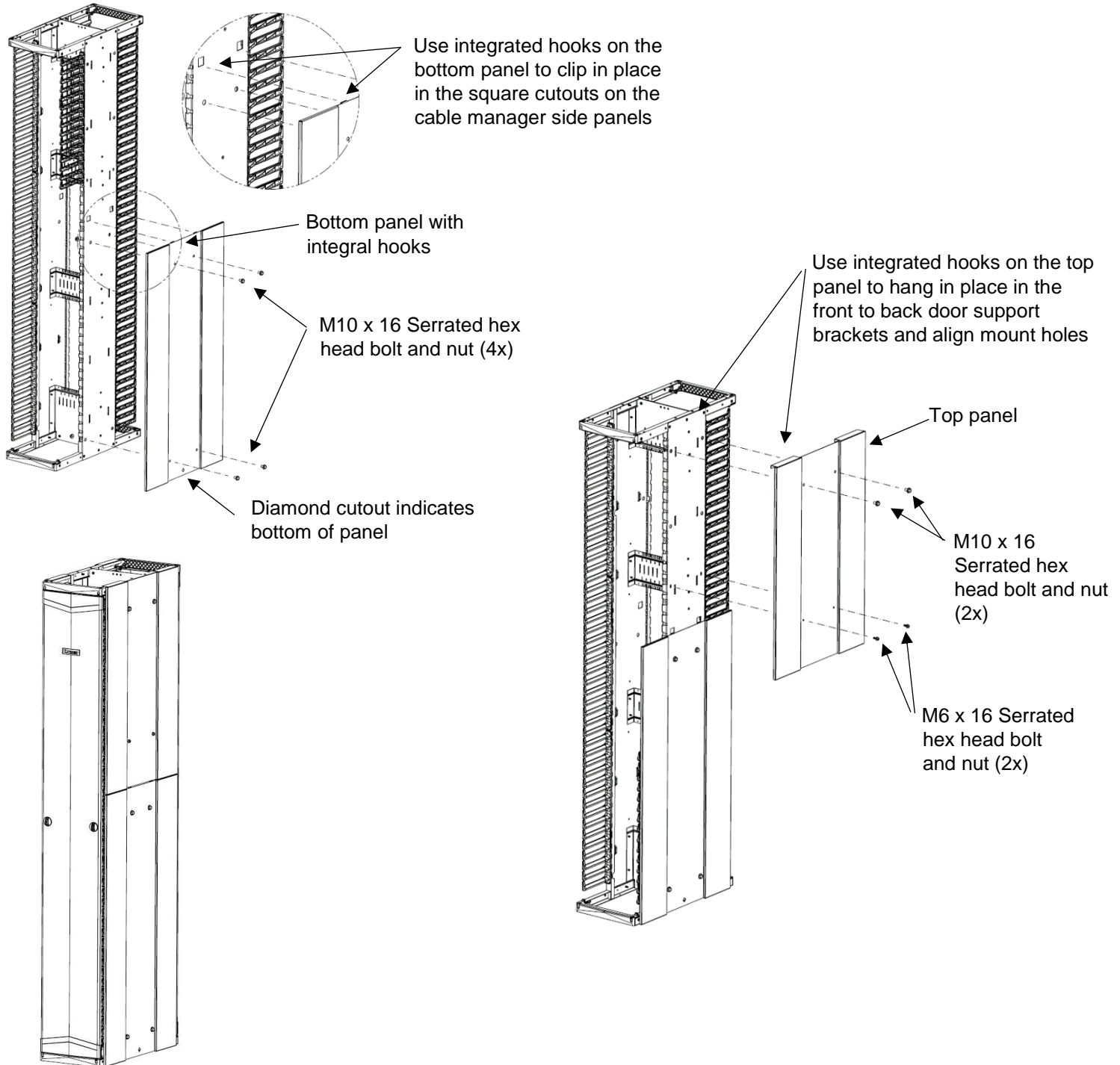
To open the door to the right, turn the left knob counterclockwise until engaged.
To open door to the left, turn the right knob clockwise until engaged.



End Panel Installation to *PATCHRUNNER™ 2* Enhanced Vertical Managers

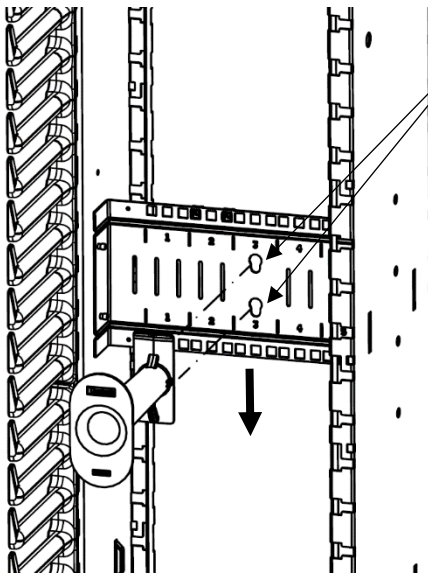
Part Numbers: PE2VEP, PE2VEPWH, PE2VEP96, PE2VEP96WH

Installing Bottom Panel:



Other Compatible Accessories (sold separately)

PRSP5 and PRSP7 Slack Spools



Mount keyhole slots

Mount buttons

Angled flange for removal

Mount face

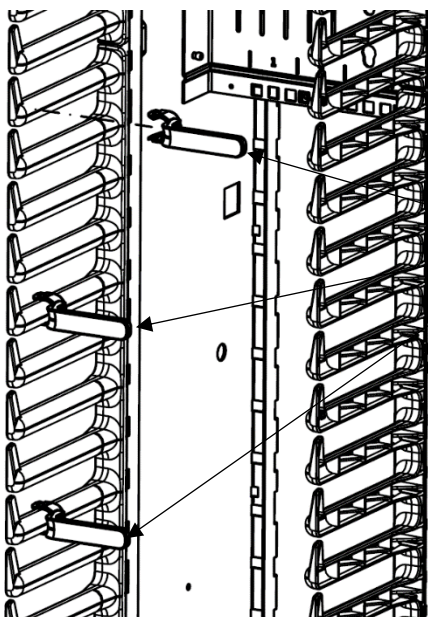
Step 1: Align spool mount buttons in the cable manager horizontal panel, with the angled flange facing upwards.

Step 2: Push spool mount buttons through the keyholes and apply downward pressure until the spool clicks into place.

Step 3: To remove the spool, pull back on the mount flange while applying pressure upward.

Note: Spools will hold up to 14 lbs.

WR5E-X Cable Retainer Clip

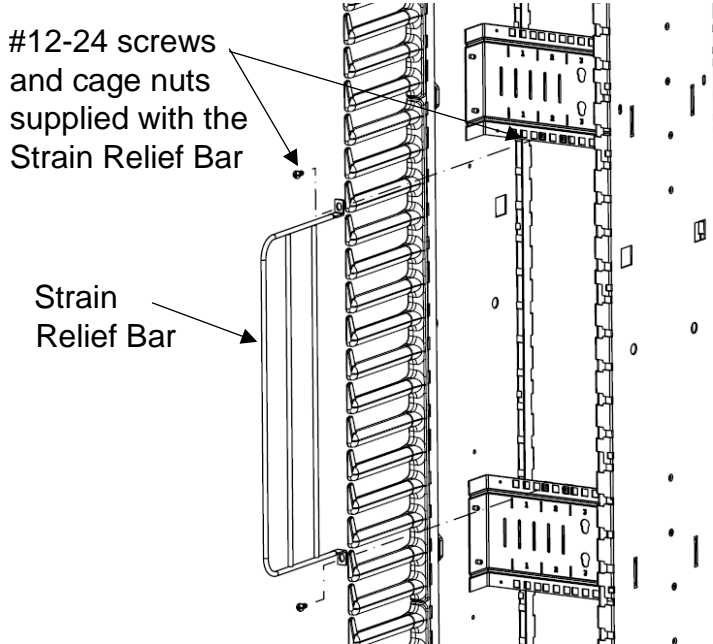


Cable retainer clips

To install cable retainer clips, place the open end of the clip around the leg of the molded finger on the vertical cable manager and position as required.

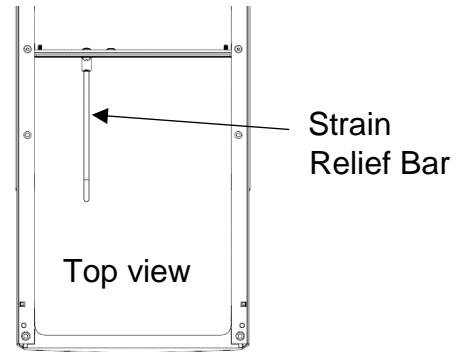
Other Compatible Accessories (sold separately)

SRB19BLY, SRB19MDBL, SRB19D5BL, SRB19D7BL Strain Relief Bars

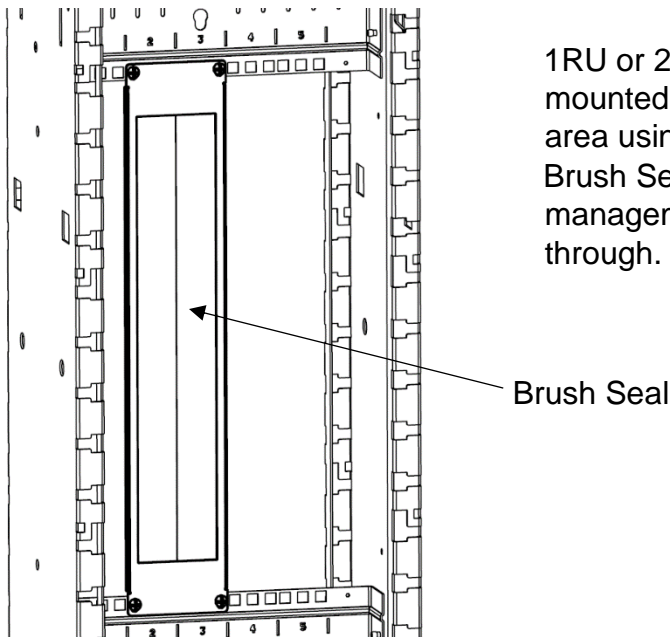


Strain relief bars can be mounted vertically in the cable manager patching area using #12-24 screws and cage nuts.

Multi-Layer Strain Relief Bars can be used to create vertical channels within the manager and additional cable support and management.



BR1B, BR2B Brush Seal Blank Panel 19" Panels



1RU or 2RU Brush Seal Blank Panels can be mounted vertically in the cable manager patching area using screws and cage nuts. Brush Seal Blank Panels allow front to back cable management while maintaining a thermal seal pass through.