

1. STANDARD:

USE WITH UPS CAPACITY:

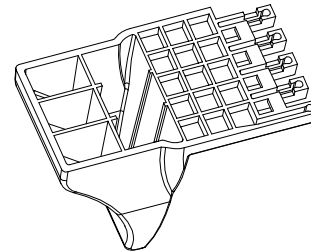
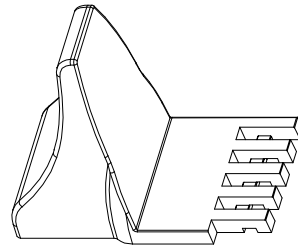
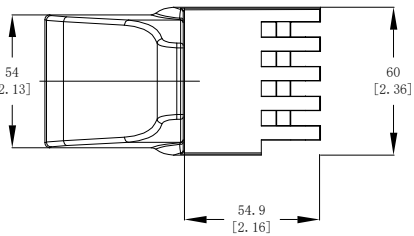
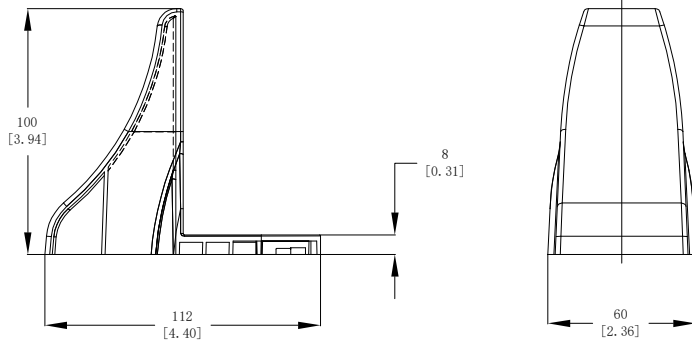
SMARTZONE UPS TOWER BRACKETS UTOWFT FOR 1 TO 20KVA UPS ONLY

2. ADDITIONAL:

NONE

3. ACCESSORY COMPONENTS:

NONE

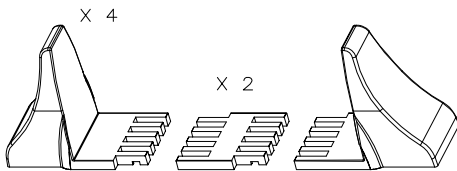
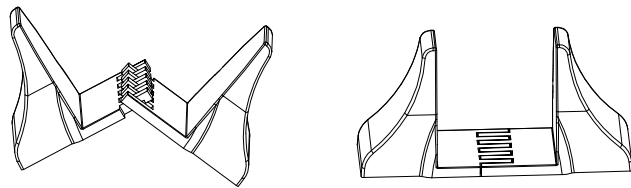


NOTES:

1. PRIMARY DIMENSIONS ARE IN MILLIMETERS. SECONDARY DIMENSIONS ARE IN INCHES
2. INSTALLATION SHALL COMPLY WITH ALL APPLICABLE NATIONAL, STATE, AND LOCAL CODES
3. VISIT OUR ON-LINE CATALOG AT WWW.PANDUIT.COM FOR A CURRENT LIST OF PRODUCTS APPLICABLE FOR USE WITH THIS PRODUCT
4. ALL PURCHASED ITEMS CONFORM TO C2-0834 PANDUIT SPECIFICATION FOR CHEMICAL SUBSTANCES TO BE CONTROLLED IN PRODUCT AND PACKAGING

IDENTIFICATION:

PART NUMBER	DESCRIPTION	SHIPPING WEIGHT (KG)
UTOWFT	IRUPS 1- 10KVA SINGLE PHASE TOWER STABILIZER BRACKETS	1.5



DATE	BY	CHK	APR	DESCRIPTION	ECN
03/10/2022					

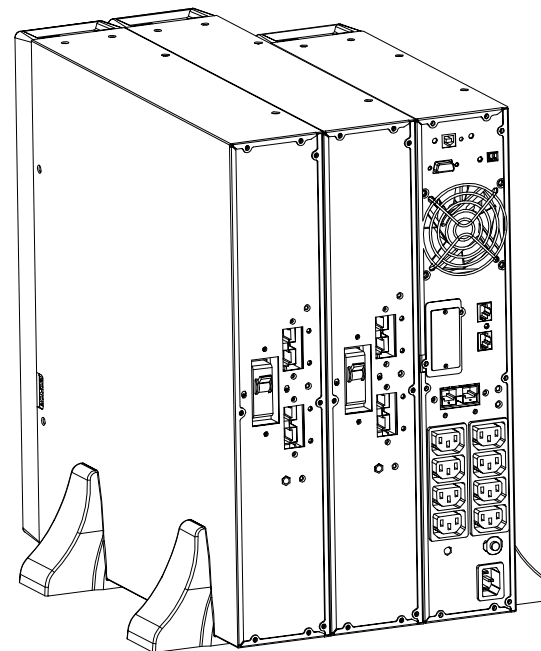
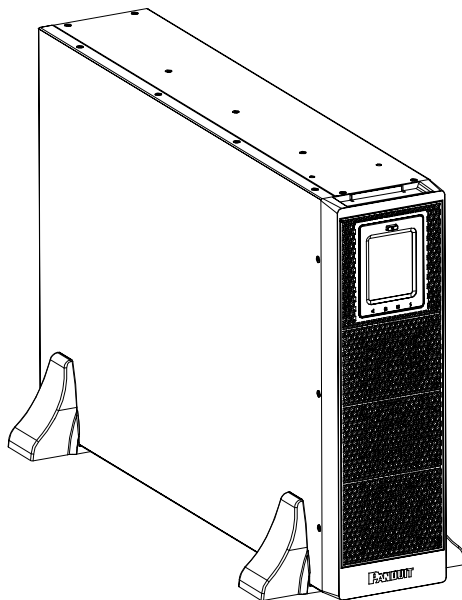
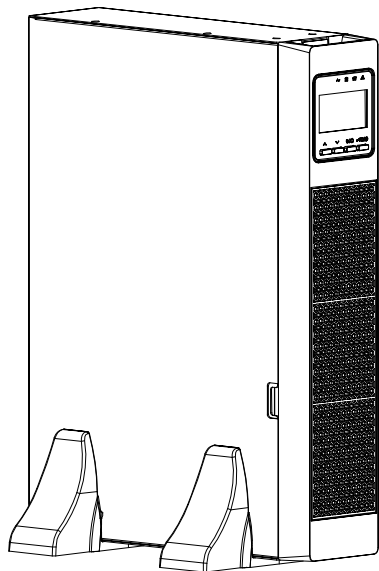
SMARTZONE UPS TOWER BRACKETS UTOWFT					
CUSTOMER DRAWING					
UTOWFT/01					
UTOWFT-DC/01A					
UNLESS OTHERWISE SPECIFIED, DIMENSIONAL TOLERANCES ARE IN [IN]					
N/A					
01A	02/15/2022	D.L.	ZRZ	G.M./D.B.	UPDATED DESCRIPTION
00A	03/10/2022	D.L.	ZRZ	G.M./D.B.	RELEASE TO PRODUCTION
REV	DATE	BY	CHK	APR	DESCRIPTION

DATE	BY	CHK	APR	DESCRIPTION	ECN
03/10/2022					



SMARTZONE UPS TOWER BRACKETS UTOWFT-DC

SHT 1 OF 2



REV	DATE	BY	CHK	APR	DESCRIPTION	ECN
01A	08/10/2022	D.A.	ZKZ	GLM/DLB	UPDATED DESCRIPTION	UTOWFT
00A	03/10/2022	D.A.	ZKZ	GLM/DLB	RELEASE TO PRODUCTION	UTOWFT

NOTE: THE CUSTOMER SHALL VERIFY THAT THE SPECIFICATIONS AND DIMENSIONS OF THE PRODUCT MEET THE REQUIREMENTS OF THE ORDER AND THAT THE PRODUCT IS DELIVERED AS SPECIFIED.

SMARTZONE UPS TOWER BRACKETS UTOWFT
CUSTOMER DRAWING

UTOWFT/01A
UTOWFT-DC/01A

UNLESS OTHERWISE SPECIFIED, DIMENSIONAL TOLERANCES ARE: MM (M) N/A

THIRD ANGLE PROJECTION

UTOWFT-DC

03/10/2022 MJD VARIOUS

SHT 1 OF 2