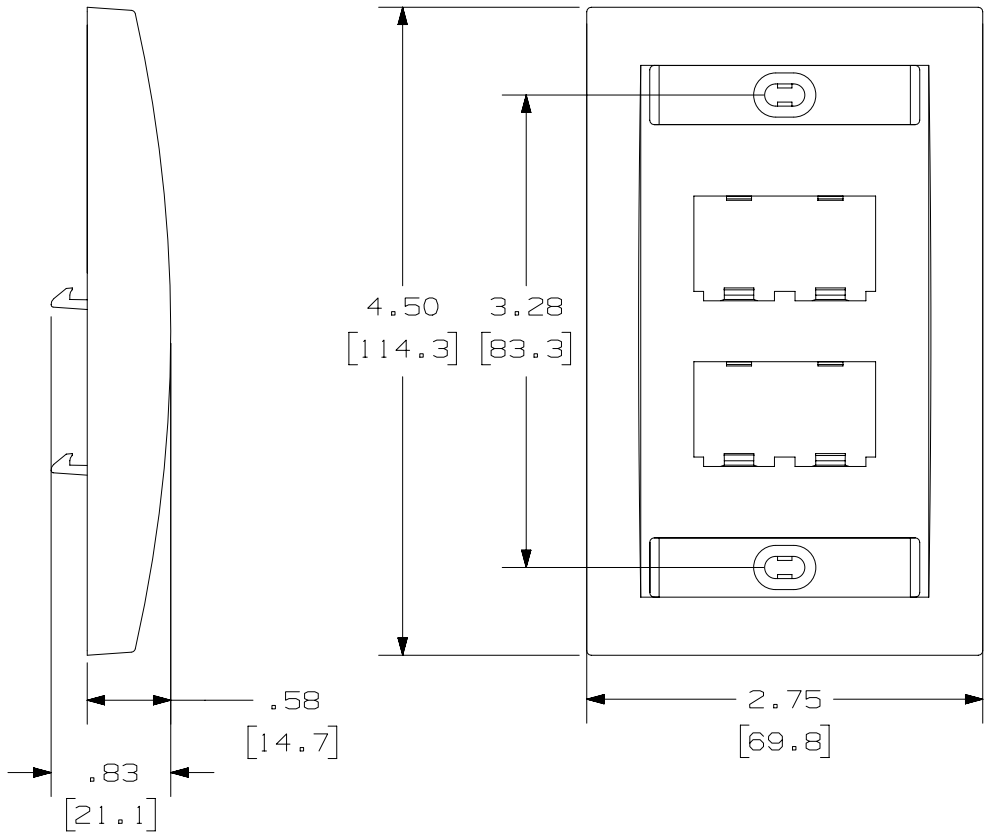


THIS COPY IS PROVIDED ON A RESTRICTED BASIS AND IS NOT TO BE USED IN ANY WAY DETRIMENTAL TO THE INTERESTS OF PANDUIT CORP.

PANDUIT P/N	WEIGHT
CFPE4**Y	.71 LB/10 PCS (322.1 g/10 PCS)
CFPE4**-X	.71 LB/10 PCS (322.1 g/10 PCS)

- NOTES:
- SEE CURRENT CATALOG FOR ADDITIONAL PART NUMBER SUFFIXES TO INDICATE COLOR AND OR PACKAGE QUANTITY.
  - SEE CATALOG FOR COMPLETE LIST OF PARTS APPLICABLE FOR USE WITH THIS PART.
  - DIMENSIONS IN [ ] ARE IN METRIC.
  - CFPE4\*\*Y INCLUDES:
    - 1 - FACEPLATE
    - 2 - LABEL
    - 2 - LABEL COVER
    - 2 - MOUNTING SCREW
  - CFPE4\*\*-X INCLUDES:
    - 10 - FACEPLATES
    - 20 - LABELS
    - 20 - LABEL COVERS
    - 20 - MOUNTING SCREWS



PART NUMBER		SEE TABLE	
TITLE			
MINI-COM 4 POSITION EXECUTIVE SERIES VERTICAL FACEPLATE CUSTOMER DRAWING			
ITEM REVISION NAME		M02479EL/02	
DATASET FILE NAME		M02479EL_DC/02A	
UNLESS OTHERWISE SPECIFIED, DIMENSIONAL TOLERANCES ARE: IN (mm)		MATERIAL:	
.x ± .03 (.8)		ABS	
.xxx ± .010 (.3)		DRAWING NUMBER:	
ANGLES ±		02479-118	
THIRD ANGLE PROJECTION		SHT 1 OF 1	
DRAWN BY	DATE	CHK	SCALE
JSP	4-26-06	MJD	NONE
REV	DATE	BY	CHK
02A	12-14-21	MDJR	JCO
1	5/15/14	JSP	REFR
R	4-26-06	JSP	MJD

REV	DATE	BY	CHK	APR	DESCRIPTION	ECN
02A	12-14-21	MDJR	JCO	REFR	B. ADDED BULK PACK PART NUMBER.	02479-118
1	5/15/14	JSP	REFR	MMR	A. REVISED DRAWING TITLE BLOCK.	02479-118
R	4-26-06	JSP	MJD	MJD	RELEASED TO PRODUCTION	02479-118

D10100DA/14