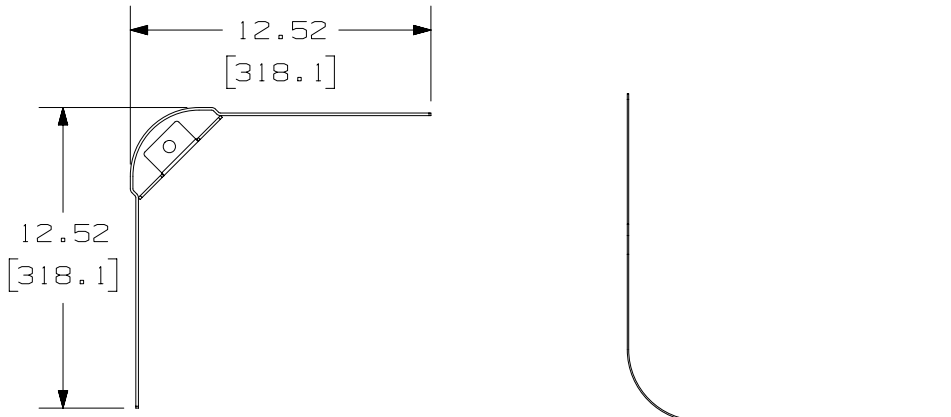
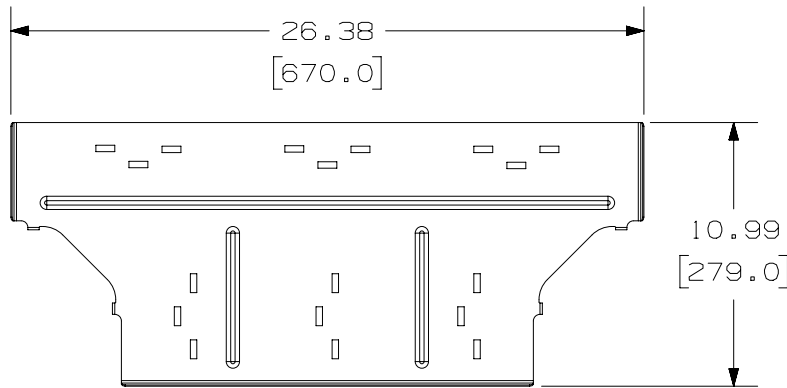


THIS COPY IS PROVIDED ON A RESTRICTED BASIS AND IS NOT TO BE USED IN ANY WAY DETRIMENTAL TO THE INTERESTS OF PANDUIT CORP.



SUPPORT BRACKET

BEND RADIUS PROTECTOR




TEE BASE

NOTES:

1. VISIT OUR ON-LINE CATALOG AT WWW.PANDUIT.COM FOR A LIST OF CURRENT PARTS APPLICABLE FOR USE WITH THIS PRODUCT.
2. DIMENSIONS IN [] ARE METRIC.
3. ALL MATERIALS AND COMPONENTS USED MEET THE MATERIAL RESTRICTIONS OF RoHS (EUROPEAN DIRECTIVE 2011/65/EU ON THE RESTRICTION OF HAZARDOUS SUBSTANCES) AS PROPOSED BY THE RoHS TECHNICAL ADAPTATION COMMITTEE.
4. PART INCLUDES:
 - 1- TEE BASE
 - 2- SUPPORT BRACKET
 - 2- BEND RADIUS PROTECTOR
 - 8- C-CLIPS
 - 14- KEPS NUTS
 - 4- CABLE TIE
 - 8- PLASTIC RIVET
 - 6- CARRIAGE BOLT
 - 6- PLATE CLAMP

PART NUMBER	NOMINAL SIDEWALL HEIGHT	FINISH	WEIGHT
PWBPF2X18BL	2" (50mm)	BLACK POWDER	7.5 LBS/EACH (3401.9)g/EACH
PWBPF2X18WH		WHITE POWDER	
PWBPF2X18EZ		CLEAR ZINC	
PWBPF4X18BL	4" (100mm)	BLACK POWDER	7.7 LBS/EACH (3492.7)g/EACH
PWBPF4X18WH		WHITE POWDER	
PWBPF4X18EZ		CLEAR ZINC	
PWBPF6X18BL	6" (150mm)	BLACK POWDER	7.9 LBS/EACH (3583.4)g/EACH
PWBPF6X18WH		WHITE POWDER	
PWBPF6X18EZ		CLEAR ZINC	

TITLE WIRE BASKET FORMED TEE FITTING 18" (450mm) W										
CUSTOMER DRAWING										
ITEM REVISION NAME 00510JAP/00										
DATASET FILE NAME 00510JAP_DC/00C										
MATERIAL C.R.S.										
DRAWN BY JSP					DATE 6/1/21		CHK WJM		SCALE NONE	
DRAWING NUMBER 00510JAP-DC					SHEET 1 OF 1					
REV					DATE		BY		CHK	
DESCRIPTION					ECN		SIZE		A	

00C	12-15-23	SAT	DWR	EB	D. ADDED METRIC HEIGHTS. B. UPDATED TITLE. C. REMOVED P/N FROM TITLEBLOCK.	00510JAP-DC
00B	4/18/22	JSP	DWR	ML	A. UPDATE COMPONENT LIST.	00510JAP-DC
00A	6/1/21	JSP	WJM	ML	INITIAL RELEASE	00510JAP-DC

A-SIZE CUSTOMER