

# Mini-Com® DIN Shielded Rail Mount Adapter

## specifications

Mini-Com® DIN Shielded Rail Mount Adapter shall be a single port adapter that shall mount to a 35mm DIN rail. Adapter shall include a label pocket, label and label cover. Mini-Com® DIN Shielded Rail Mount Adapter shall accept any single module space Mini-Com® Module.



## technical information

<b>Standards:</b>	Adapter interfaces to EN 60715, EN 50022, TH 35-7.5 DIN rail
<b>UL rating:</b>	UL94V-0, UL1863 recognized
<b>RoHS compliance:</b>	Compliant
<b>Mounting options:</b>	Mounts to a standard 35mm DIN rail
<b>Packaging:</b>	One adapter per package, supplied with one label and label cover
<b>Material:</b>	Polycarbonate
<b>Shield Material:</b>	Phosphor Bronze

## key features and benefits

<b>Modular</b>	Accepts all single Mini-Com® Modules, which snap in and out for easy moves, adds, and changes
<b>Identification</b>	Includes label pocket with label and cover to clearly identify the port for ease of identification, maintenance, and moves, adds, and changes
<b>Low profile</b>	Compact size enables high component density on valuable DIN rail real estate
<b>Ease of installation</b>	No custom or specialized tools required for installation or removal
<b>Shielded and grounded</b>	Shielded grounding bar component creates an electrical bond between shielded jack and ground

## applications

Shielded DIN rail mount adapter allows any single module space Mini-Com® Module to securely mount to a standard 35mm DIN rail, providing an easy way to quickly move, add or change a connection, with no specialized tools required. It is ideal for any environment where

DIN rails are located. Shielded cable is routed into a zone enclosure or control panel where the cable is terminated into a shielded jack that is mounted into the shielded DIN rail adapter; patch cords then connect the active equipment.

### DIN Shielded Rail Mount Adapter

**Adapter:** CADIN1IG\*-S

### Label Options

**Panther™ LS8E and**

**Cougar™ LS9:** UILS8BW

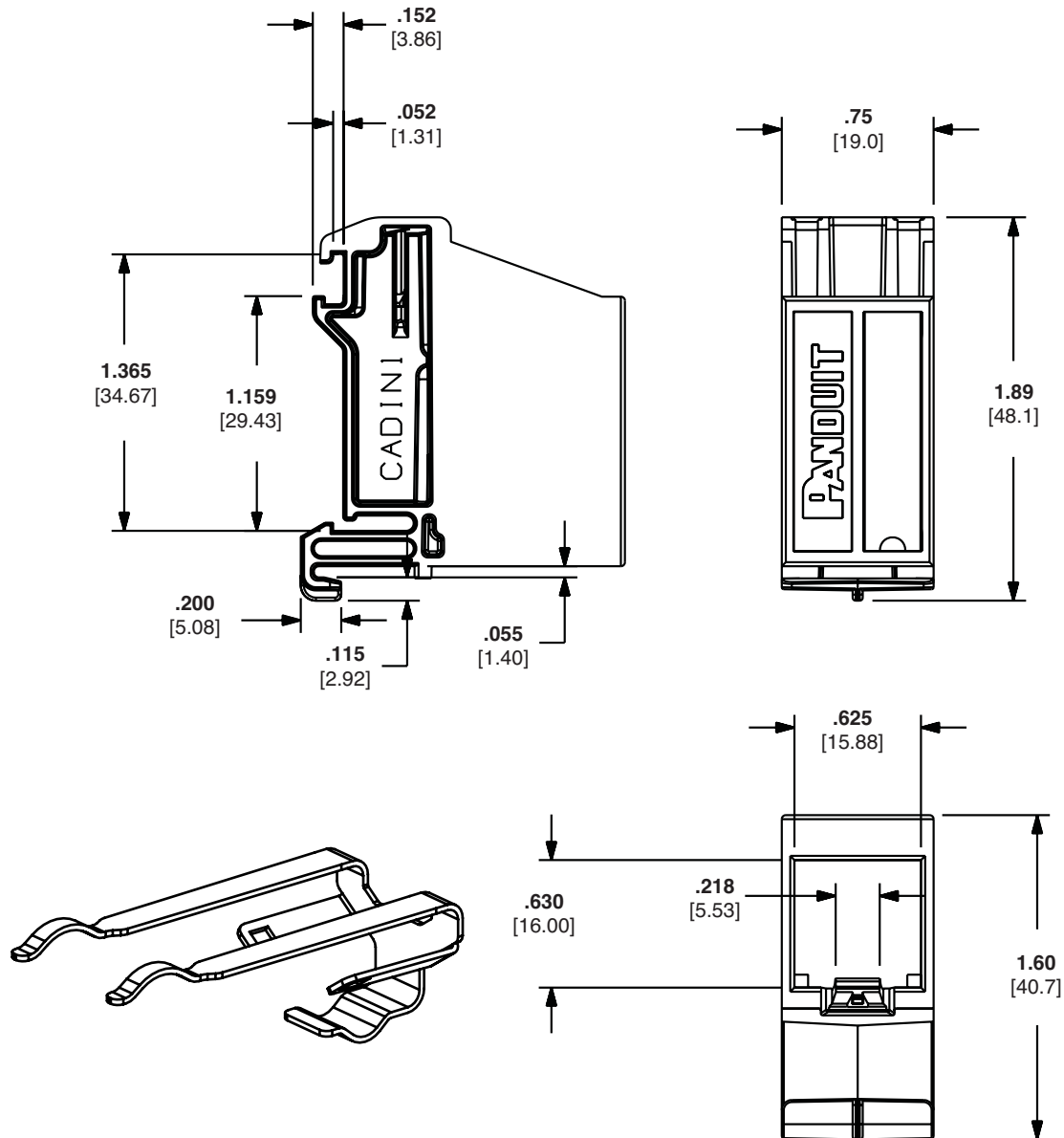
### Mini-Com® Modules

Visit [www.panduit.com](http://www.panduit.com) or contact customer service for a complete line of compatible Mini-Com® Modules for copper, fiber, and audio/video applications.

\*For standard colors other than IG (International Gray), replace suffix with BL (Black).

# Mini-Com® DIN Shielded Rail Mount Adapter

## dimensions



Dimensions are in inches. [Dimensions in brackets are metric].

### WORLDWIDE SUBSIDIARIES AND SALES OFFICES

PANDUIT US/CANADA  
Phone: 800.777.3300

PANDUIT EUROPE LTD.  
London, UK  
Phone: 44.20.8601.7200

PANDUIT SINGAPORE PTE. LTD.  
Republic of Singapore  
Phone: 65.6305.7575

PANDUIT JAPAN  
Tokyo, Japan  
Phone: 81.3.6863.6000

PANDUIT LATIN AMERICA  
Guadalajara, Mexico  
Phone: 52.33.3777.6000

PANDUIT AUSTRALIA PTY. LTD.  
Victoria, Australia  
Phone: 61.3.9794.9020

For a copy of Panduit product warranties, log on to [www.panduit.com/warranty](http://www.panduit.com/warranty)

For more information

Visit us at [www.panduit.com](http://www.panduit.com)

Contact Customer Service by email: [cs@panduit.com](mailto:cs@panduit.com)  
or by phone: 800.777.3300

# PANDUIT®

© 2021 Panduit Corp.  
ALL RIGHTS RESERVED.  
OTSP59--WW-ENG  
4/2021