

Consolidation Point Box



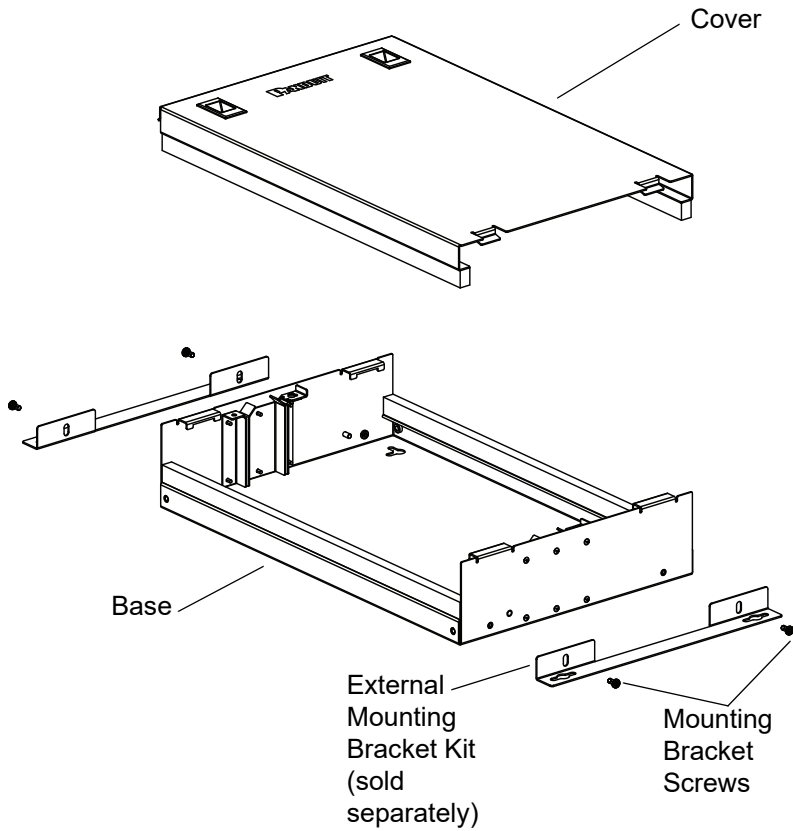
Part Number(s): CPB6BL, CPB12BL, CPB24BL, CPB48BL,
CPBWMBRKSM, CPBWMBRKLK

© Panduit Corp. 2024

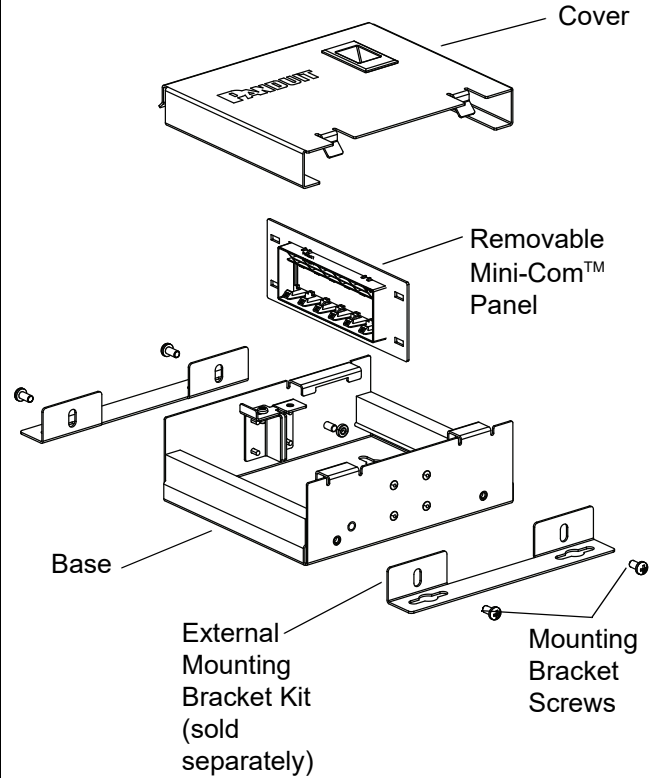
INSTALLATION INSTRUCTIONS

V00029SV_03

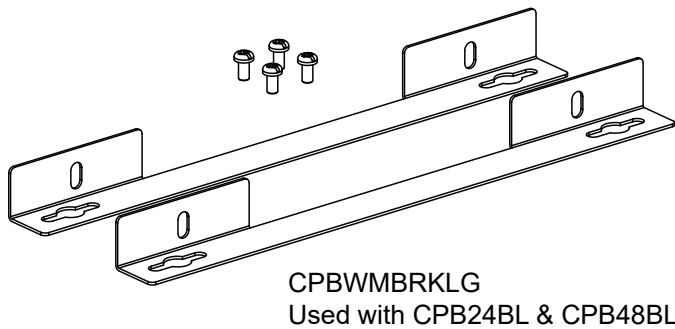
Component Identification CPB24BL and CPB48BL:



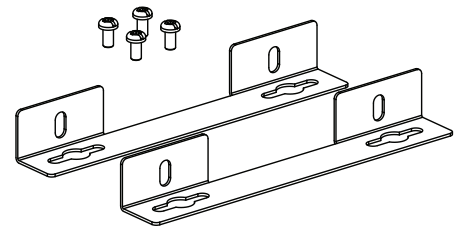
Component Identification CPB6BL and CPB12BL:



External Mounting Bracket Kits (Sold separately)



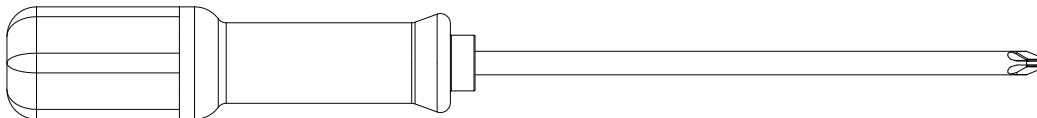
CPBWMBRKLK
Used with CPB24BL & CPB48BL



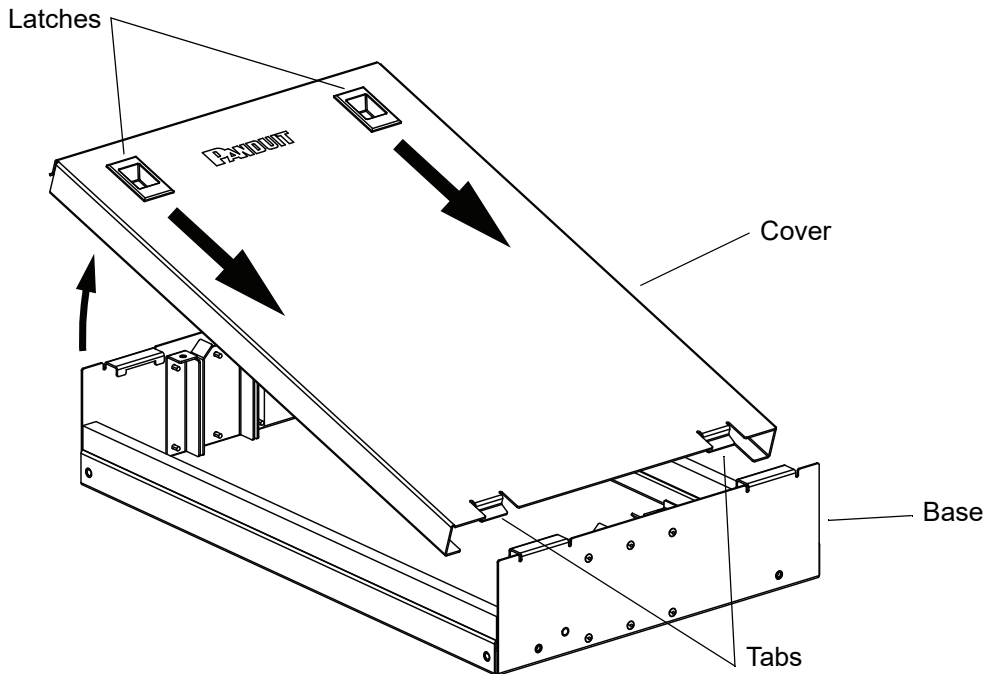
CPBWMBRKSM
Used with CPB6BL & CPB12BL

Tools needed:

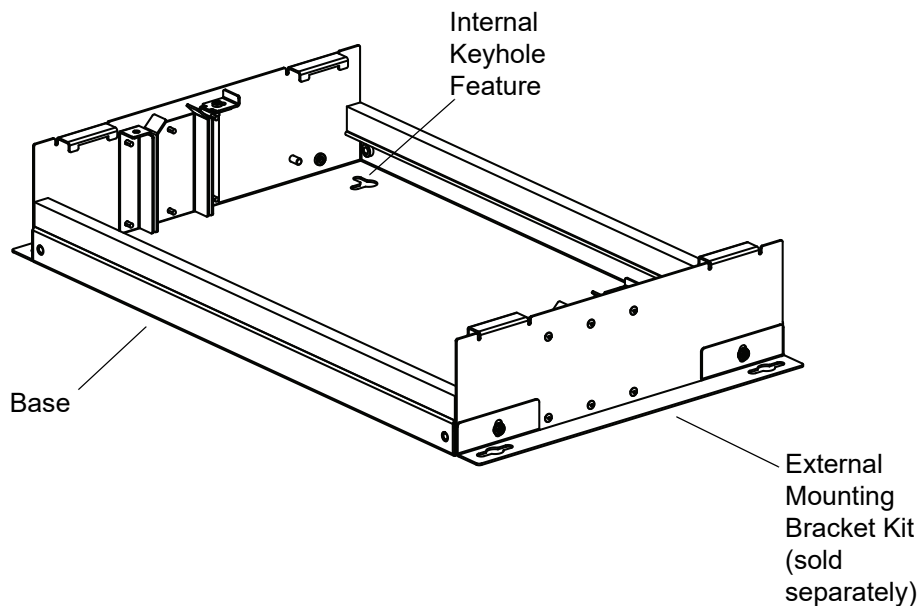
Phillips head screwdriver



For Technical Support: www.panduit.com

Cover Removal:

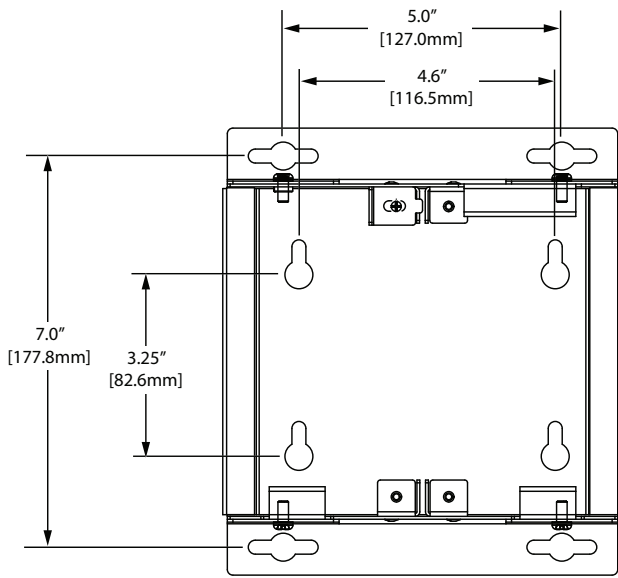
Pull latches simultaneously away from the edge of the cover and lift cover until tabs on opposite side disengage from enclosure base.

Base Mounting:

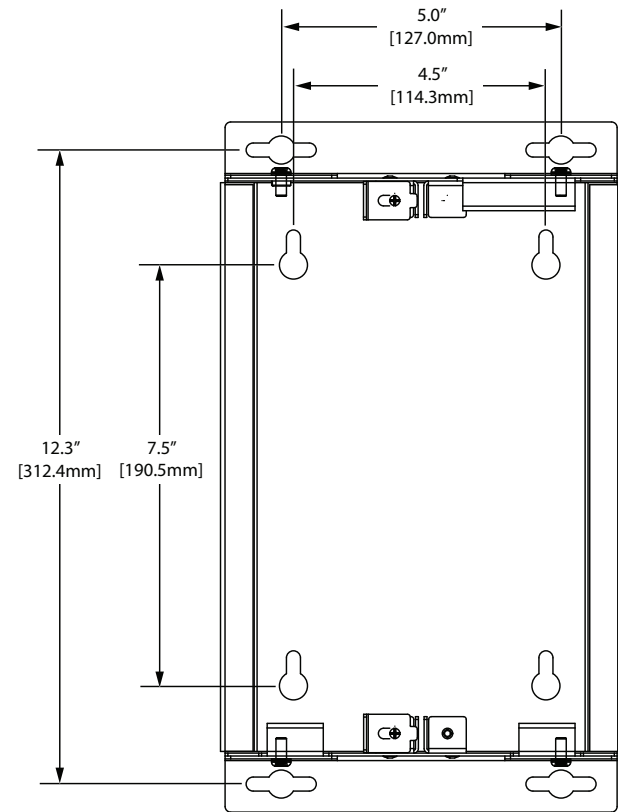
The enclosure base may be mounted to a horizontal or vertical surface using appropriate anchors based on type of surface. Mount enclosure using either the Internal Keyholes, or the External mounting brackets (sold separately). The external mounting brackets are intended for situations where it is desirable to move the enclosure without needing to remove the cover. The external mounting brackets attach to the sides of the base using the screws provided with the Mounting Bracket Kit.

Base Mounting (cont):

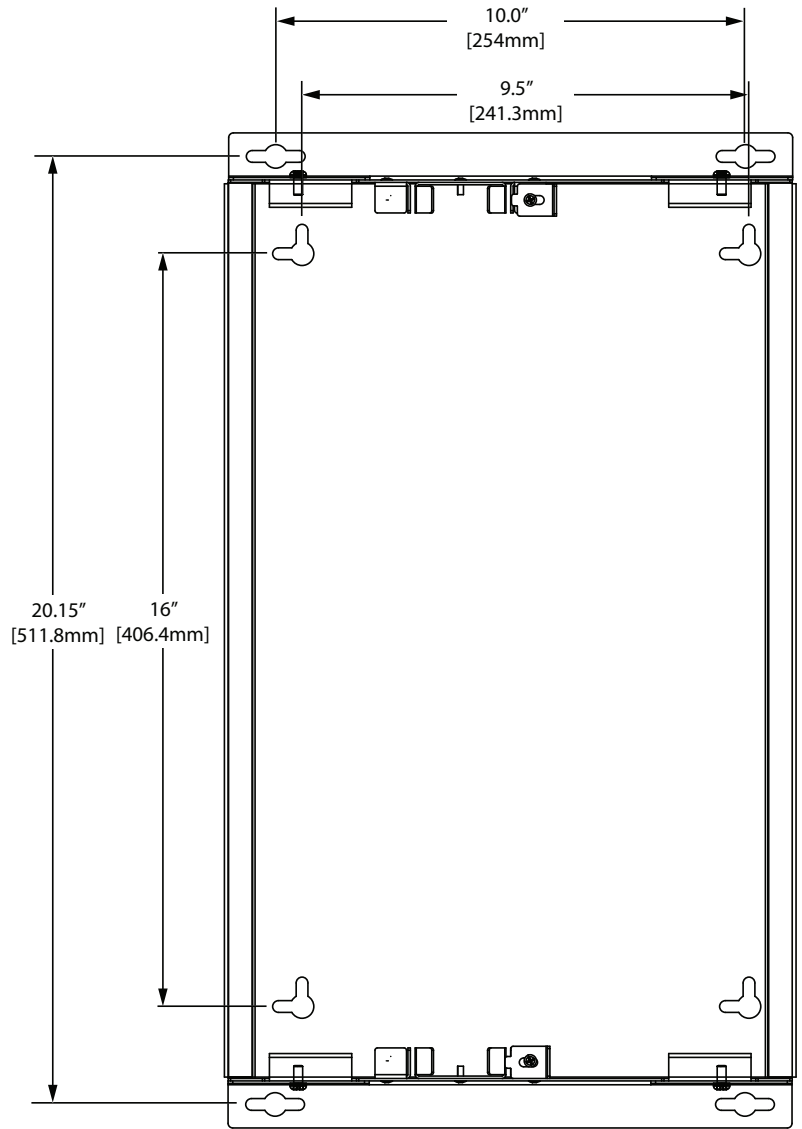
Use hardware and anchors appropriate for mounting surface type.



CPB6BL

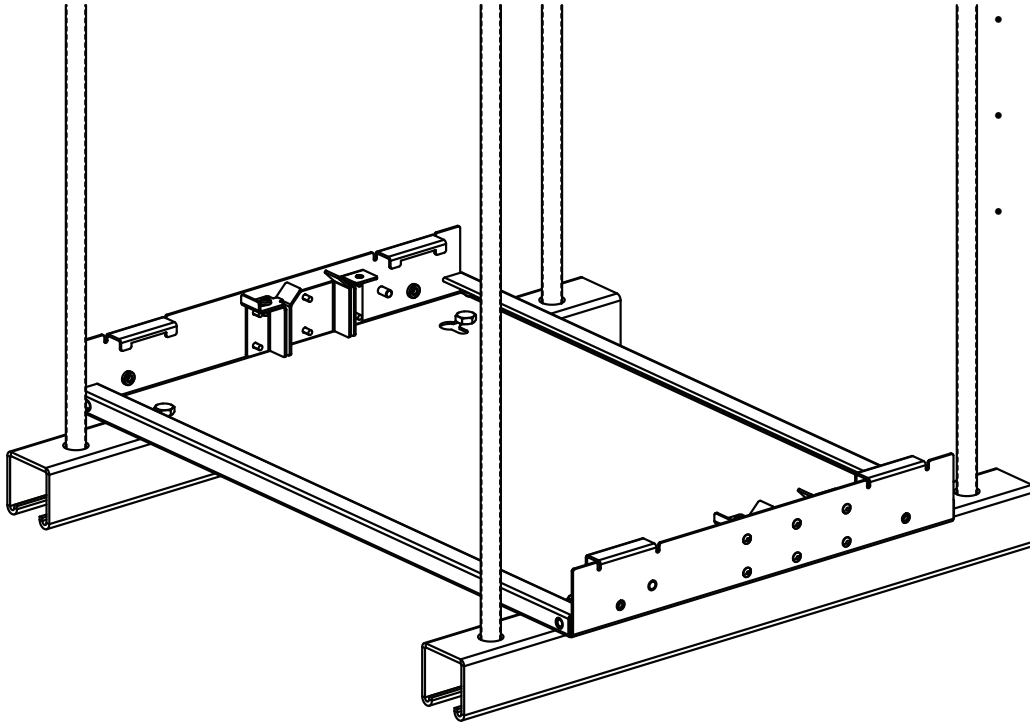


CPB12BL

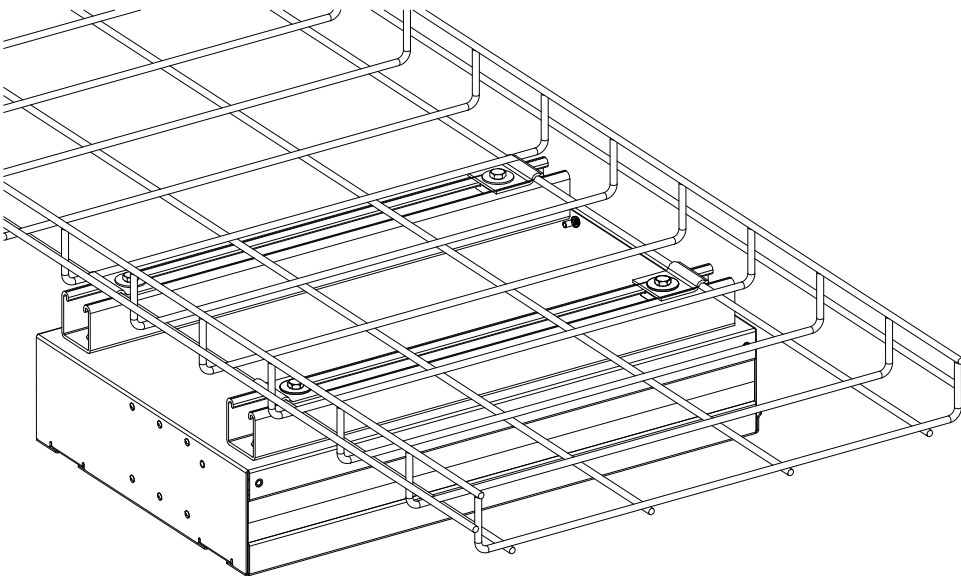


CPB24BL & CPB48BL

Fully Populated Panel Weight w/ Cat 6a Cable	
Port Count	Weight (lbs)
6	3
12	6
24	12
48	24

Base Mounting In Ceiling/Under floor:

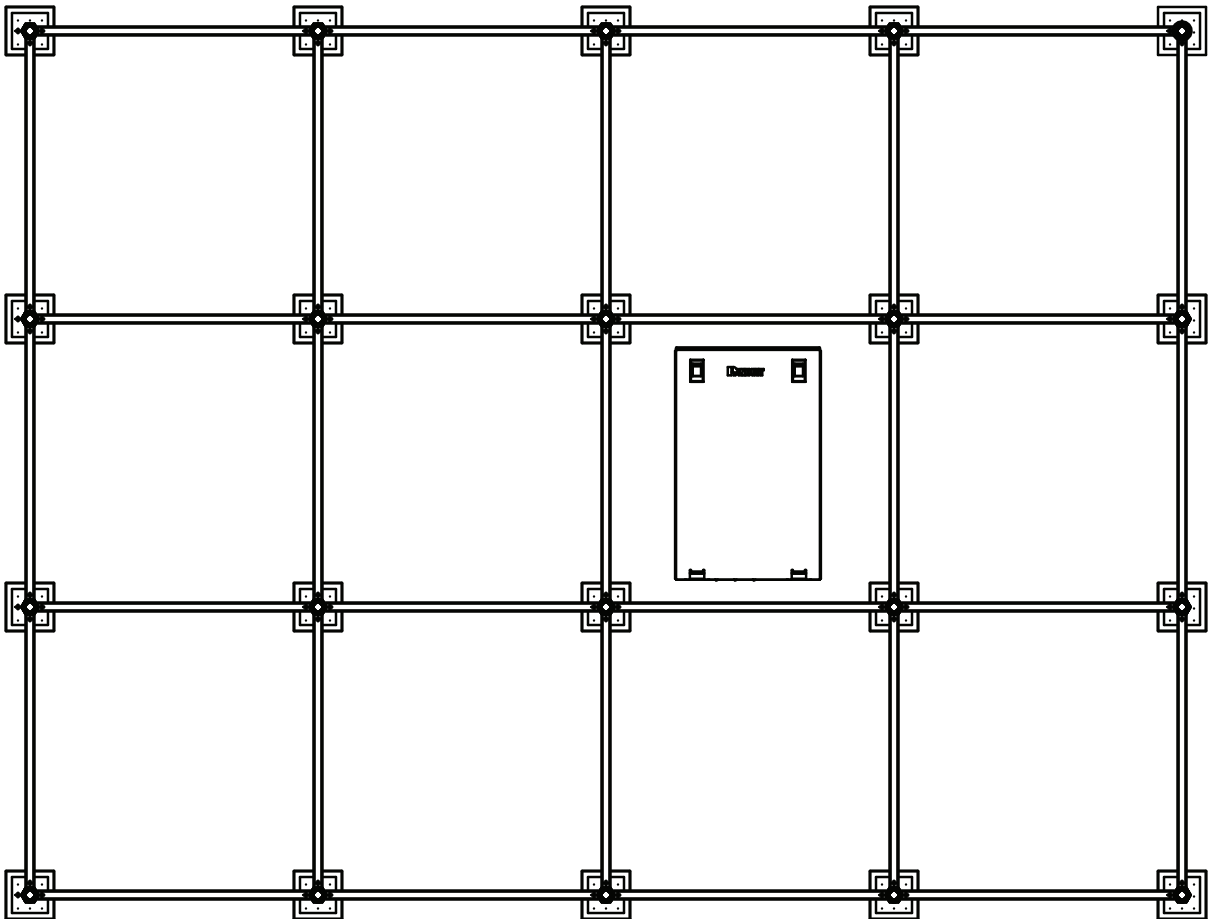
- The enclosure base must be mounted securely to the strut using appropriate hardware.
- It may be necessary to secure 10ga wire in (4) directions from the strut to the ceiling for Seismic requirements.
- Consult with a structural Engineer for final requirements.

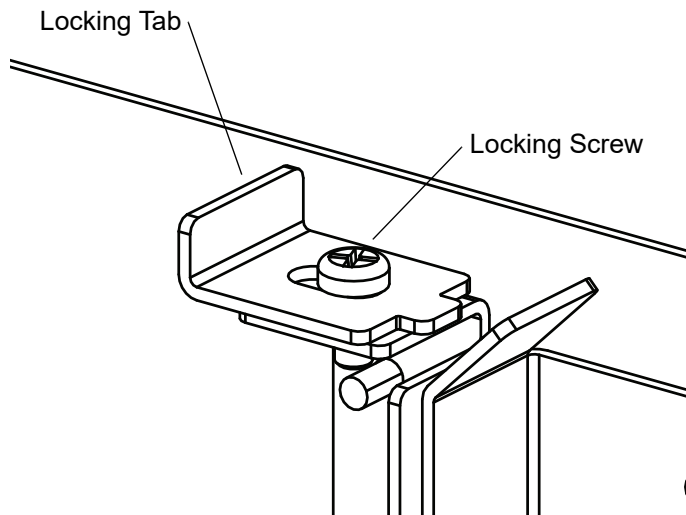
Base Mounting to Wire Basket:

- The enclosure may be mounted to Panduit Wire Basket.
- Secure the enclosure to Unistrut using mounting holes on bottom of enclosure and attach Unistrut to Wire Basket using the Wire Basket hardware kit PWBWMBVEZ as shown.
- For non-Panduit wire basket or ladder rack, refer to manufacturer mounting recommendations.

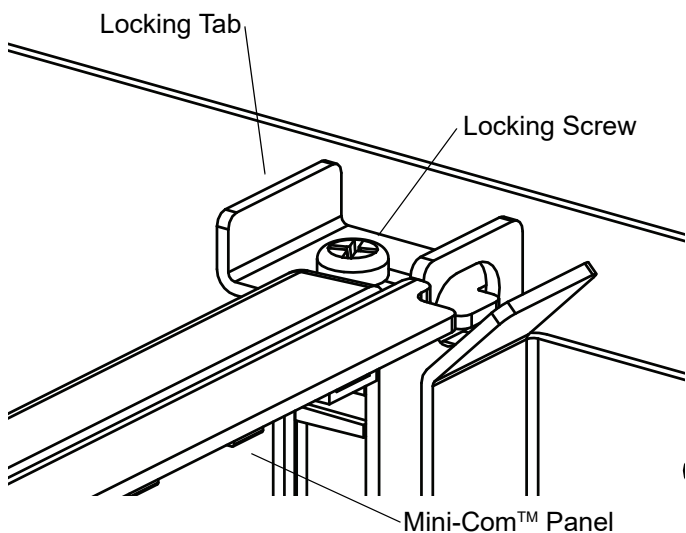
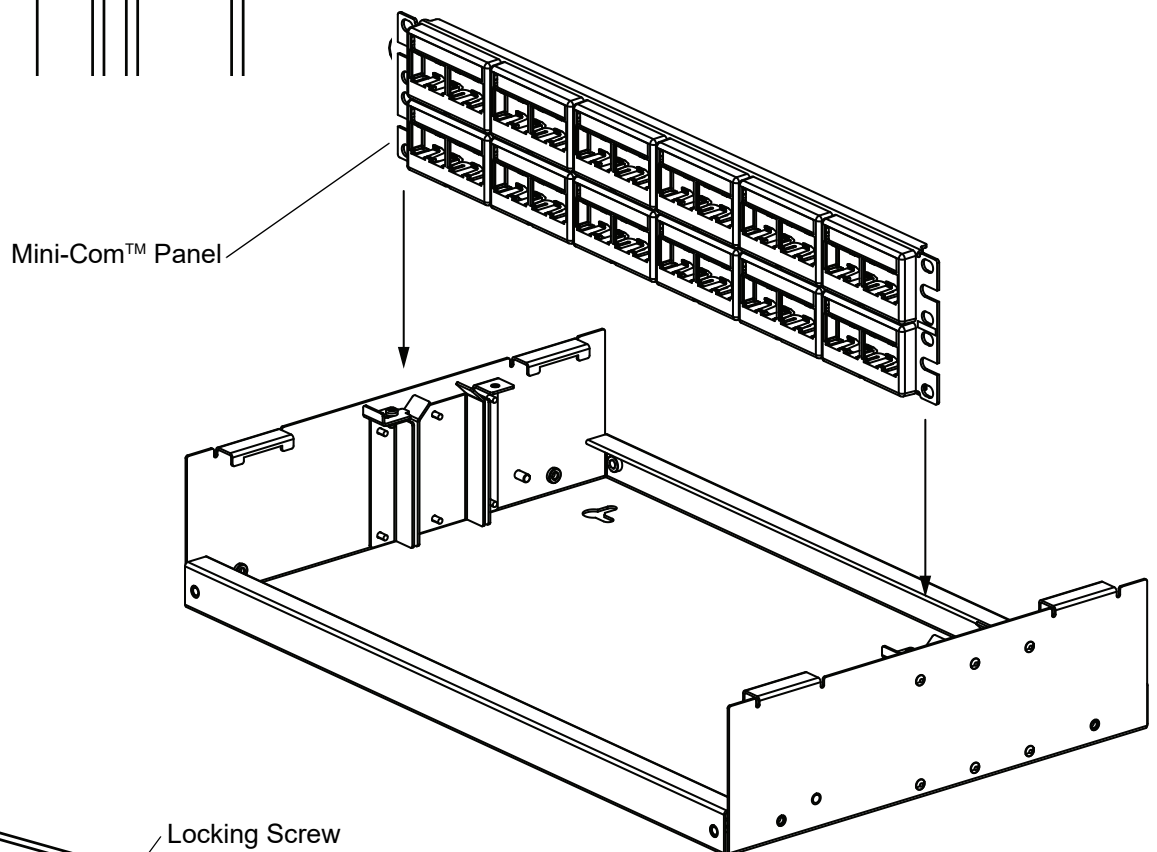
Base Mounting Raised floor/office space:

- Secure the enclosure to the base floor using appropriate hardware based on the floor type (cement, wood, etc.).



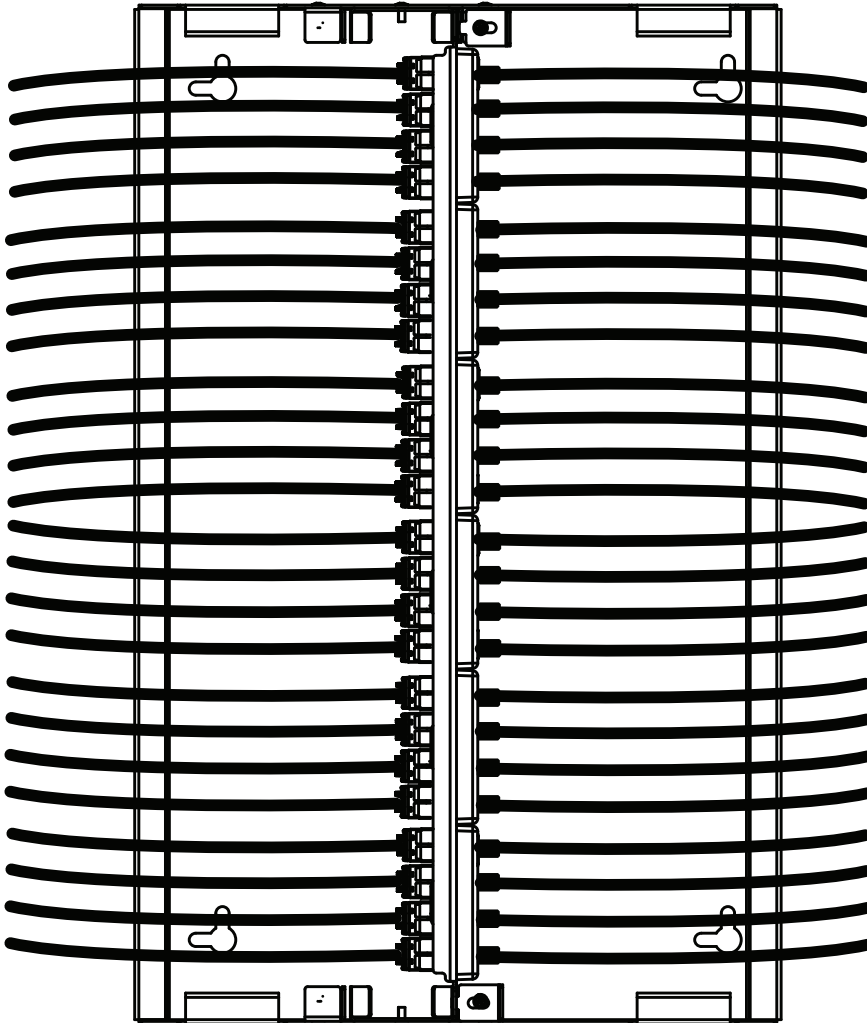
Patch Panel Installation:

- Ensure panel locking tabs are positioned away from panel slot. Loosen locking screws and pull tabs away from slot opening if necessary. For CBP6BL and CPB12BL, the included Mini-Com™ panel can be removed at this time.
- Install patch panel in desired location. It is recommended to populate patch panel prior to installing into enclosure for ease of access to panel ports.
- With patch panel fully inserted into base slots, slide the panel locking tabs into the top most mounting hole locations of the patch panel and tighten locking screws.

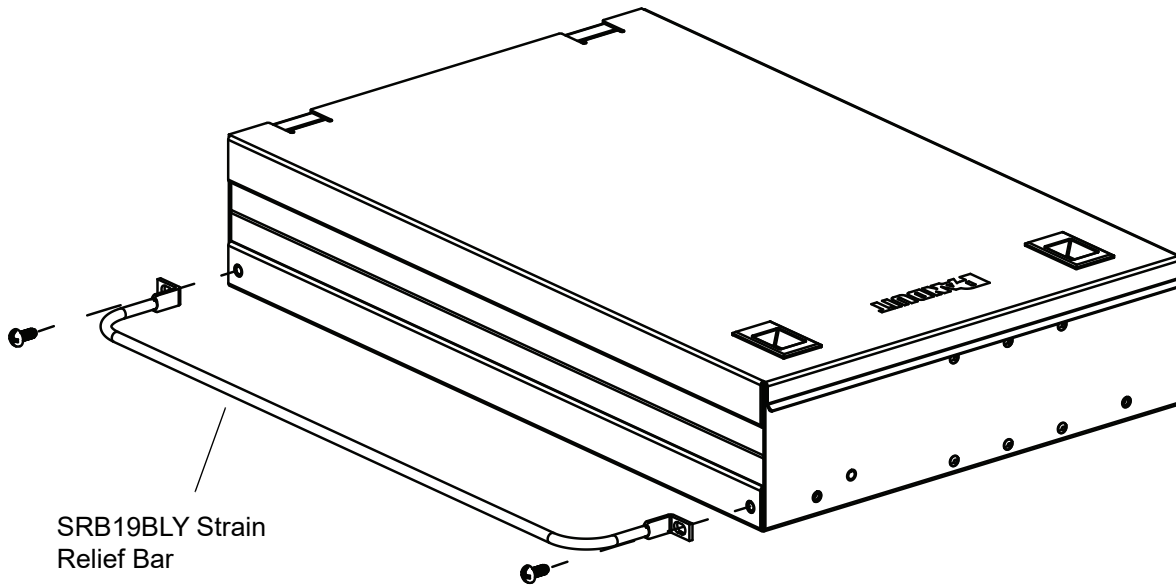


Cabling:

- Follow instructions for your specific Jack module for cable installation.
- Refer to cable manufacturer for bend radius specifications.
- User best practices for cable management extending out from consolidation box.



Optional Strain Relief Bar Attachment (CPB24BL and CPB48BL only):



PANDUIT strain relief bars (sold separately) may be mounted to the front and rear of the 24 and 48 port enclosures using the threaded holes in the enclosure base and the screws supplied with the strain relief bar.