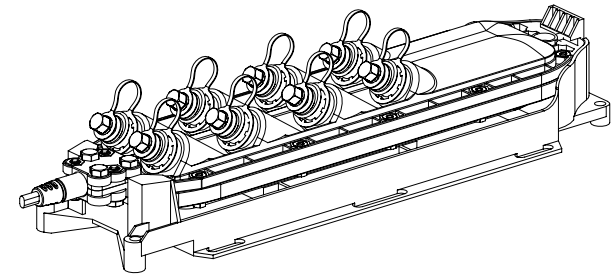
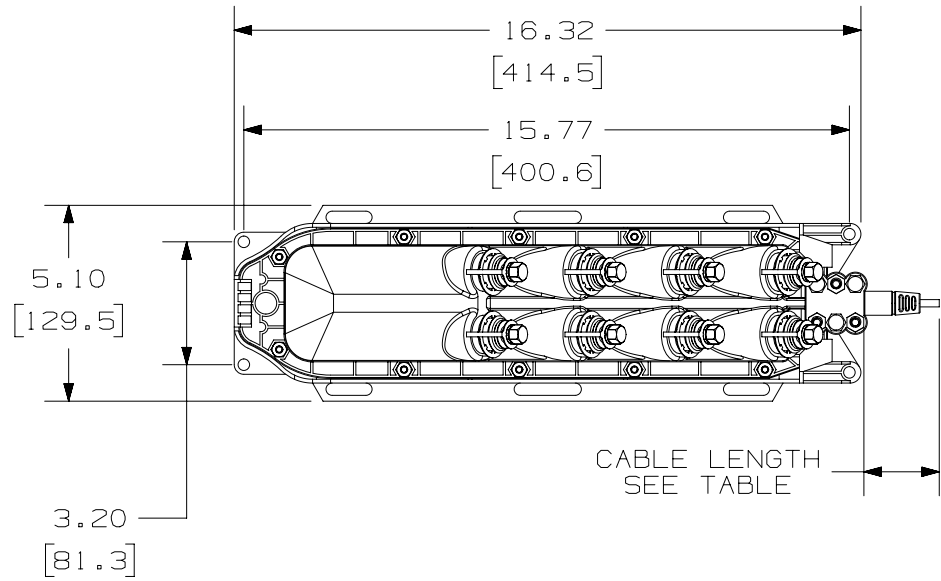


THIS COPY IS PROVIDED ON A RESTRICTED BASIS AND IS NOT TO BE USED IN ANY WAY DETRIMENTAL TO THE INTERESTS OF PANDUIT CORP.

NOTES:

1. VISIT OUR ON-LINE CATALOG AT WWW.PANDUIT.COM FOR A LIST OF CURRENT PARTS APPLICABLE FOR USE WITH THIS PRODUCT.
2. DIMENSIONS IN [] ARE METRIC.
3. ALL MATERIALS AND COMPONENTS USED MEET THE MATERIAL RESTRICTIONS OF RoHS (EUROPEAN DIRECTIVE 2011/65/EU ON THE RESTRICTION OF HAZARDOUS SUBSTANCES) AS PROPOSED BY THE RoHS TECHNICAL ADAPTATION COMMITTEE.
4. WEIGHT: 2.998 lb [1.36kg] WITHOUT CABLE
5. PART INCLUDES:
 - 1- ENCLOSURE AND UNIVERSAL MOUNTING BRACKET HARDENED AND GASKETED PLASTIC
6. DISTRIBUTION TYPE: 8 PORTS
7. MOUNTING: HANDHOLE/PEDESTAL/POLE/STRAND
8. PORT TYPE: HARDENED FULL SIZE (SC/APC)



PANDUIT PART NUMBER	DESCRIPTION
P-MST-8D-200	FIBER OPTIC MULTI PORT SERVICE TERMINAL, 8-PORT, NON-TONEABLE, 200ft
P-MST-8D-500	FIBER OPTIC MULTI PORT SERVICE TERMINAL, 8-PORT, NON-TONEABLE, 500ft
P-MST-8T-200	FIBER OPTIC MULTI PORT SERVICE TERMINAL, 8 PORT, TONEABLE, 200ft
P-MST-8T-500	FIBER OPTIC MULTI PORT SERVICE TERMINAL, 8-PORT TONEABLE, 500ft

PART NUMBER		SEE TABLE		
TITLE		SEE TABLE		
CUSTOMER DRAWING				
ITEM REVISION NAME		01295NAF/02		
DATASET FILE NAME		01295NAF_DC/02A		
		THIRD ANGLE PROJECTION		
MATERIAL		SEE NOTE 5		
DRAWING NUMBER		01295NAF - DC		
DRAWN BY	DATE	CHK	SCALE	SIZE
BJN	3-19-24	CR-RLM	NONE	A
SHEET 1 OF 1				

A-SIZE CUSTOMER

REV	DATE	BY	CHK	APR	DESCRIPTION	ECN
02A	4-4-24	BJN	CR-RLM	OKH	PART NUMBER CHANGE FROM PST TO P-MST	M09000VY
01A	3-19-24	BJN	CR RLM	OKH	INITIAL RELEASE	01295NAF-DC