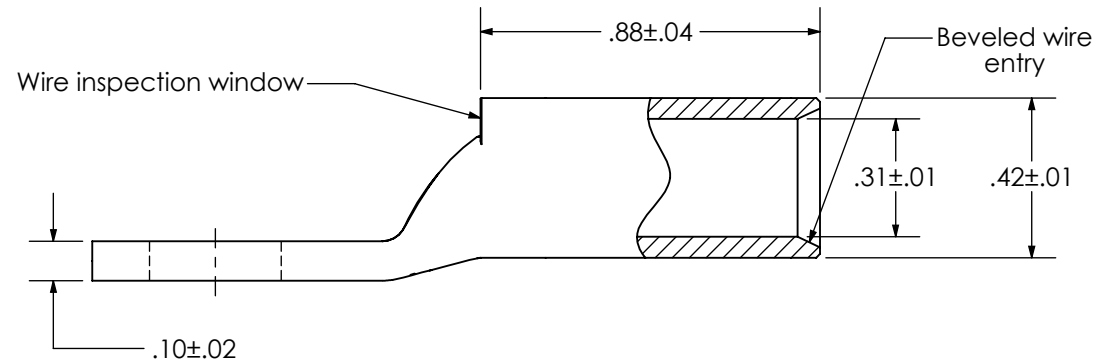
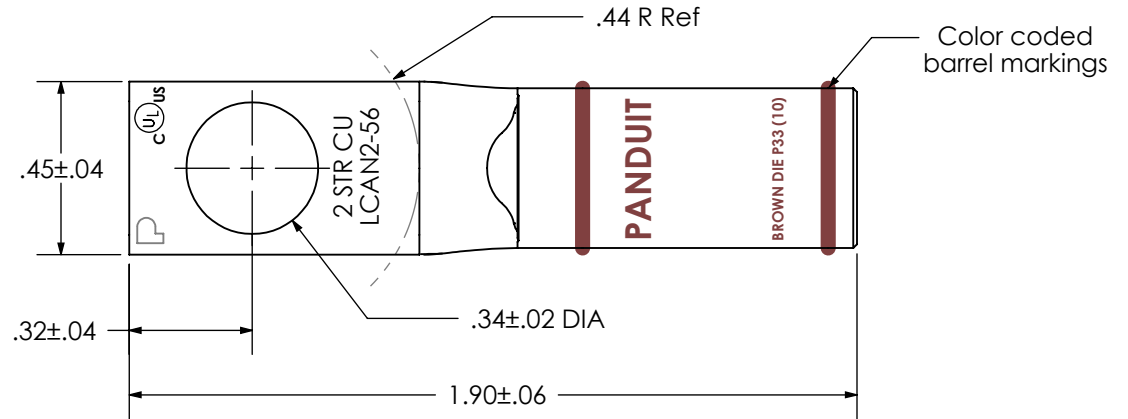


THIS COPY IS PROVIDED ON A RESTRICTED BASIS AND IS NOT TO BE USED IN ANY WAY DETRIMENTAL TO THE INTERESTS OF PANDUIT CORP.

Material	High Conductivity Seamless Copper Tube
Plating	Electro-Tin
Wire Size	2 AWG
Wire Type	Stranded Copper; Class B: Compact, Compressed or Concentric, Class C: Concentric
Wire Strip Length	15/16 in.
Stud Size	5/16 in.
UL Listed Wire Connector	Yes, for applications up to 35kv. Consult cable manufacturer for voltage stress relief instructions with applications greater than 2000 volts.
UL Temperature Rating	90° C
C.S.A Certified Wire Connector	N/A
Panduit Color Code on Barrel	BROWN
Panduit Die Index No. on Barrel	P33
Alternate Industry Die Index No. () on Barrel	(10)



00	1/19	JHNU	JLOV			
REV	DATE	BY	CHK	DESCRIPTION	ECN	SCALE
				DRAWING RELEASED	043942	N/A

PANDUIT CORP. TINLEY PARK, ILLINOIS

LCAN2-56-Q
Copper Lug - One-Hole, Narrow Tongue, Standard Barrel

DRAWING NO / CAD FILE
LCAN2-56-CUST