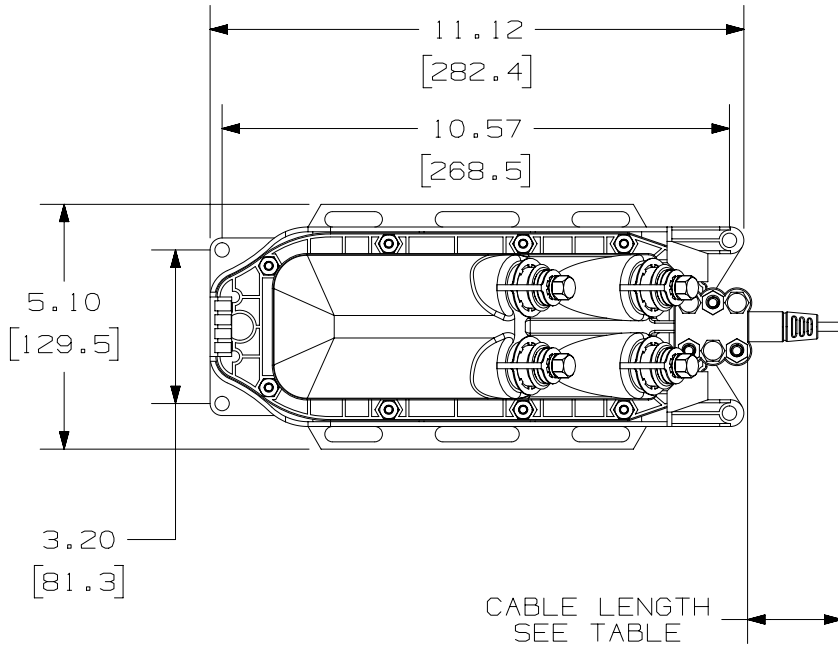
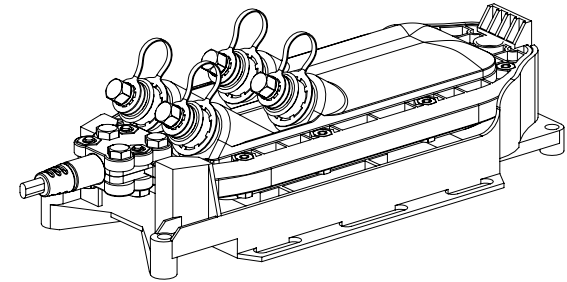


THIS COPY IS PROVIDED ON A RESTRICTED BASIS AND IS NOT TO BE USED IN ANY WAY DETRIMENTAL TO THE INTERESTS OF PANDUIT CORP.



- NOTES:
1. VISIT OUR ON-LINE CATALOG AT WWW.PANDUIT.COM FOR A LIST OF CURRENT PARTS APPLICABLE FOR USE WITH THIS PRODUCT.
 2. DIMENSIONS IN () ARE METRIC.
 3. ALL MATERIALS AND COMPONENTS USED MEET THE MATERIAL RESTRICTIONS OF RoHS (EUROPEAN DIRECTIVE 2011/65/EU ON THE RESTRICTION OF HAZARDOUS SUBSTANCES) AS PROPOSED BY THE RoHS TECHNICAL ADAPTATION COMMITTEE.
 4. WEIGHT: 1.89 LB (0.86kg) WITHOUT CABLE
 5. PART INCLUDES:
 - 1- ENCLOSURE & UNIVERSAL MOUNTING BRACKET HARDENED AND GASKETED PLASTIC
 6. DISTRIBUTION TYPE: 4 PORTS
 7. MOUNTING: HANDHOLE/PEDESTAL/POLE/STRAND
 8. PORT TYPE: HARDENED FULL-SIZE SC/APC



| PANDUIT PART NUMBER | DESCRIPTION |
|---------------------|--|
| P-MST-4D-200 | FIBER OPTIC MULTI PORT SERVICE TERMINAL, 4-PORT, NON-TONEABLE, 200ft |
| P-MST-4D-500 | FIBER OPTIC MULTI PORT SERVICE TERMINAL, 4-PORT NON-TONEABLE, 500ft |
| P-MST-4T-200 | FIBER OPTIC MULTI PORT SERVICE TERMINAL, 4-PORT, TONEABLE, 200ft |
| P-MST-4T-500 | FIBER OPTIC MULTI PORT SERVICE TERMINAL, 4-PORT TONEABLE, 500ft |

| | | | |
|--------------------|---------|------------------------|-------|
| PART NUMBER | | SEE TABLE | |
| TITLE | | SEE TABLE | |
| CUSTOMER DRAWING | | | |
| ITEM REVISION NAME | | 01295NAE/02 | |
| DATASET FILE NAME | | 01295NAE_DC/02A | |
| | | THIRD ANGLE PROJECTION | |
| MATERIAL | | SEE NOTE 5 | |
| DRAWING NUMBER | | 01295NAE-DC | |
| DRAWN BY | DATE | CHK | SCALE |
| BJN | 3-19-24 | CR-RLM | NONE |
| SHEET 1 OF 1 | | A | |

| REV | DATE | BY | CHK | APR | DESCRIPTION | ECN |
|-----|---------|-----|--------|-----|---------------------------------------|-------------|
| 02A | 4-2-24 | BJN | CR-RLM | OKH | PART NUMBER CHANGE FROM PST TO P-MST. | M09000VY |
| 01A | 3-19-24 | BJN | CR-RLM | OKH | INITIAL RELEASE | 01295NAE-DC |