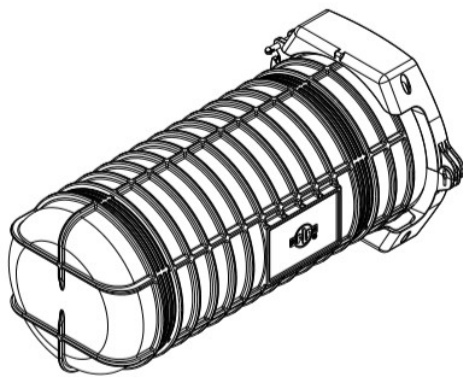
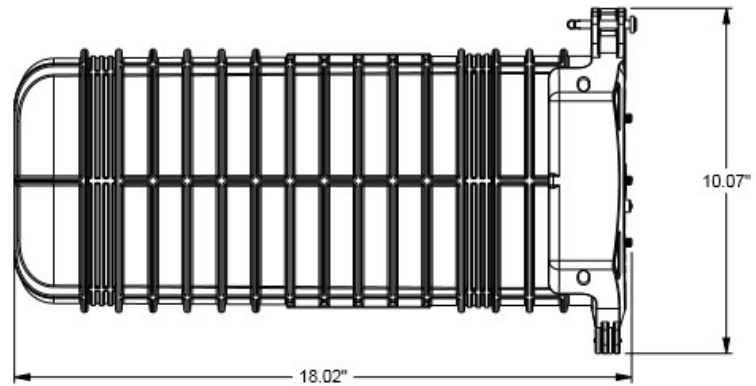
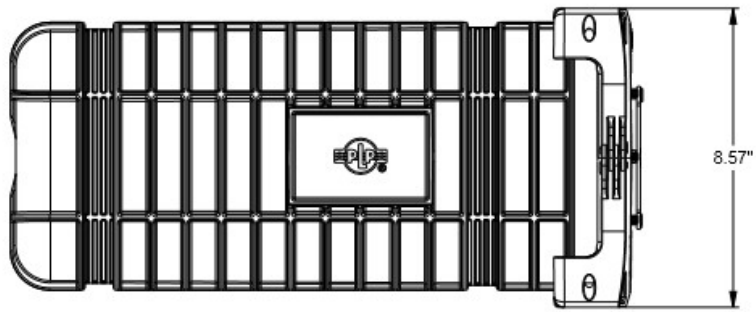


THIS COPY IS PROVIDED ON A RESTRICTED BASIS AND IS NOT TO BE USED IN ANY WAY DETRIMENTAL TO THE INTERESTS OF PANDUIT CORP.



PANDUIT P/N	WEIGHT
OFCD6517BF	9.1 LB (4.13 kg)
OFCD6517RF	9.6 LB (4.35 kg)

NOTES:

- VISIT OUR ON-LINE CATALOG AT [WWW.PANDUIT.COM](http://WWW.PANDUIT.COM) FOR A LIST OF CURRENT PARTS APPLICABLE FOR USE WITH THIS PRODUCT.
- PART FEATURES:
  - Max. Splice Capacity: 144 Single Fiber or 432 Ribbon Fiber Fusion Splices
  - Application: Direct buried or below grade.
  - Internal organizer manages buffer tube or ribbon
  - Factory installed gasket allows re-entry and re-use
  - Grommet Kit included with (2) grommets for each p/n  
(2) 1-Hole 0.40"-0.60" Grommet, or  
(2) 2-Hole 0.60"-0.85" Grommet
  - Flexible grommet sealing technology supports a wide range and quantity of flat or round cable profiles
  - Tested in accordance to GR-771-CORE by an independent outside lab
  - Integrated air valve to confirm seal integrity
  - Quick to assemble, no special tools required
  - Supports single fusion, mass fusion, mechanical, PLC splitters or a combination of all within one closure
- Splice tray sold seperately.

TITLE											
<b>OUTDOOR DOME FIBER CLOSURE (6.5 X 17)</b>											
CUSTOMER DRAWING											
ITEM REVISION NAME					00271CCC/00						
DATASET FILE NAME					00271CCC_DS/00A						
			THIRD ANGLE PROJECTION								
MATERIAL					N/A						
					DRAWING NUMBER						
					<b>00271CCC-DC</b>						
00A	11/12/19	JBO	TMSE	ASY	INITIAL RELEASE	00271CCC					
REV	DATE	BY	CHK	APR	DESCRIPTION	ECN	DRAWN BY	DATE	CHK	SCALE	SHEET 1 OF 1
							JBO	11/12/19	TMSE	NONE	A

A-SIZE CUSTOMER

2

1

2

1