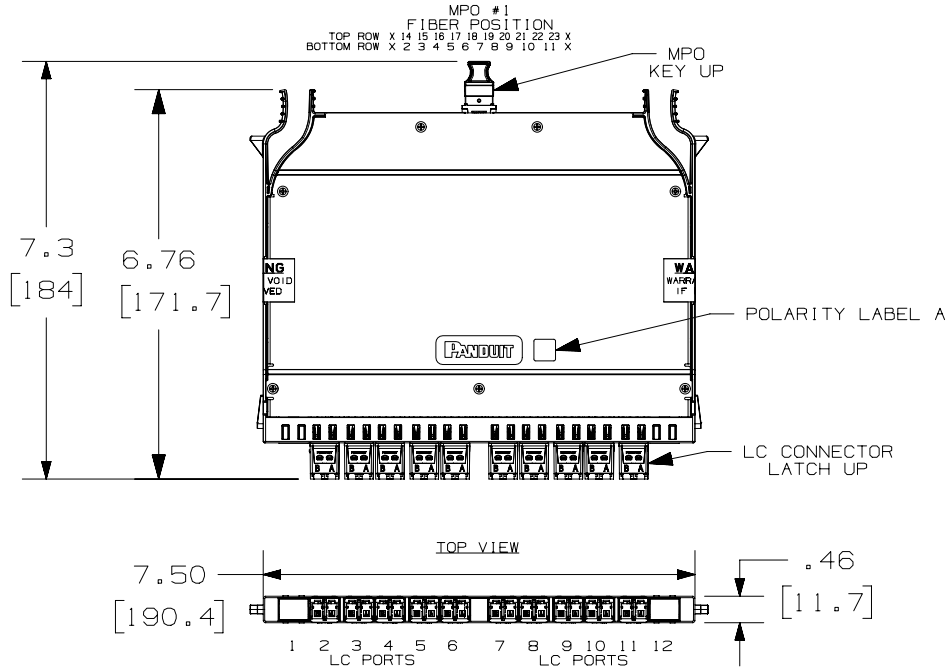
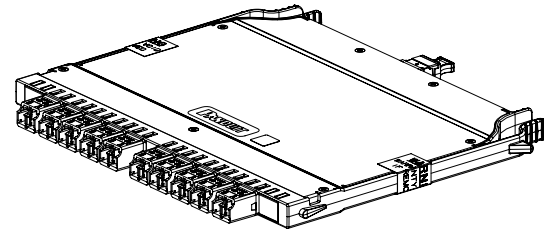


THIS COPY IS PROVIDED ON A RESTRICTED BASIS AND IS NOT TO BE USED IN ANY WAY DETRIMENTAL TO THE INTERESTS OF PANDUIT CORP.



- NOTES:
1. SEE CURRENT CATALOG FOR PART NUMBER SUFFIXES TO INDICATE COLOR AND/OR PACKAGE QUANTITIES.
 2. SEE CATALOG FOR COMPLETE LIST OF PARTS APPLICABLE FOR USE WITH THIS PRODUCT.
 3. PART NUMBERS: SEE SHEET 2 FOR ALL PART NUMBERS.
 4. CASSETTE WEIGHT: 6.2oz (175g)



FIBER POSITION FROM LC END TO MPO END																								
METHOD A CASSETTE (A)																								
LC PORT NUMBER	1		2		3		4		5		6		7		8		9		10		11		12	
	B	A	B	A	B	A	B	A	B	A	B	A	B	A	B	A	B	A	B	A	B	A	B	A
MPO #1	X	X	14	2	15	3	16	4	17	5	18	6	19	7	20	8	21	9	22	10	23	11	X	X

00	03-08-17	SAT	TMSE	EJH	RELEASED TO PRODUCTION	12F187ML-DC
REV	DATE	BY	CHK	APR	DESCRIPTION	ECN

TITLE HD FLEX BREAKOUT CASSETTE, 10-PORT DUPLEX LC TO (1) 24-FIBER MPO		CUSTOMER DRAWING	
ITEM REVISION NAME 12F187ML/01		PANDUIT	
DATASET FILE NAME 12F187ML_DC/01A			
UNLESS OTHERWISE SPECIFIED, DIMENSIONAL TOLERANCES ARE: IN (mm)			
.x ± .1 [2.54]		.xxx ± .005 [.127]	
.xx ± .01 [.25]		ANGLES ± 5 °	
DRAWN BY SAT		DATE 12-15-16	
CHK TMSE		SCALE NONE	
DRAWING NUMBER: 12F187ML-DC		SHT 1 OF 2	
SIZE A			

