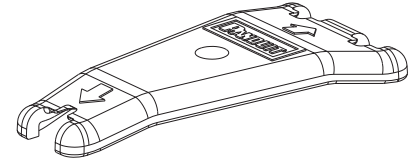
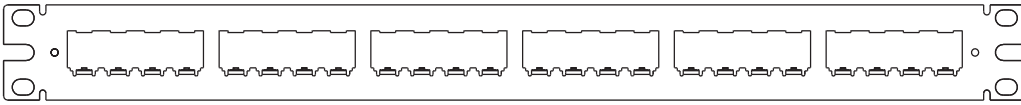
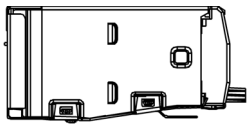


Components

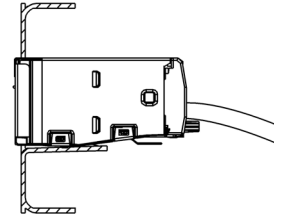
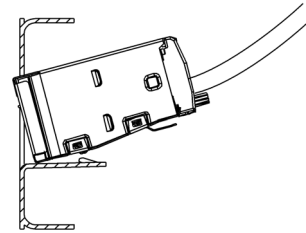
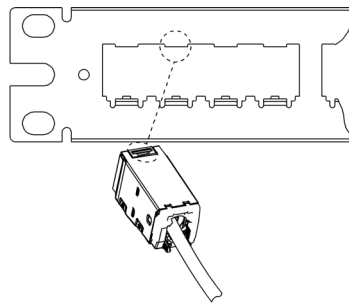


Modules



Shielded Jack Modules

Installation



Rear cable management recommended to provide additional support for cable.

Mounting with standard mounting hardware

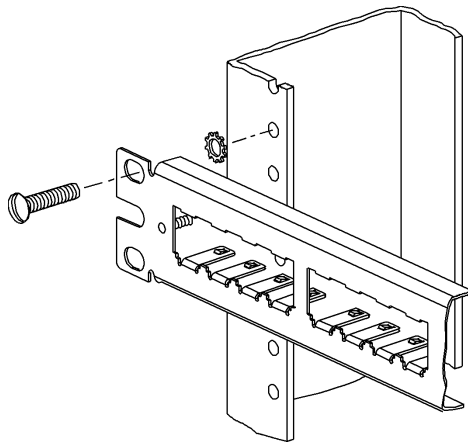


Fig. 1

Grounding Options

Panduit offers two options for grounding patch panels:

Option #1 is the preferred method of grounding a patch panel with the optional green grounding screw kits (sold separately). The green screws ground in 2 ways. One is through the thread forming screw body. Second is through the serrations under the screw head. See Fig. 2.

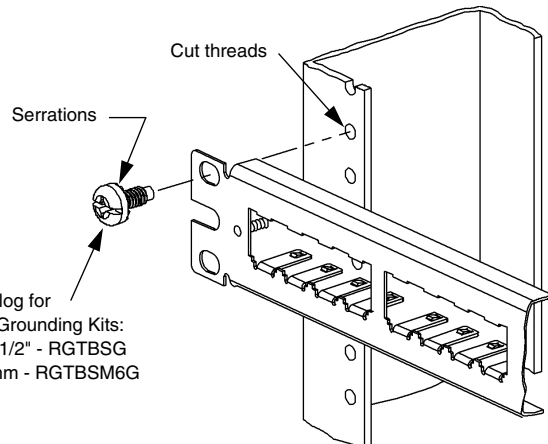
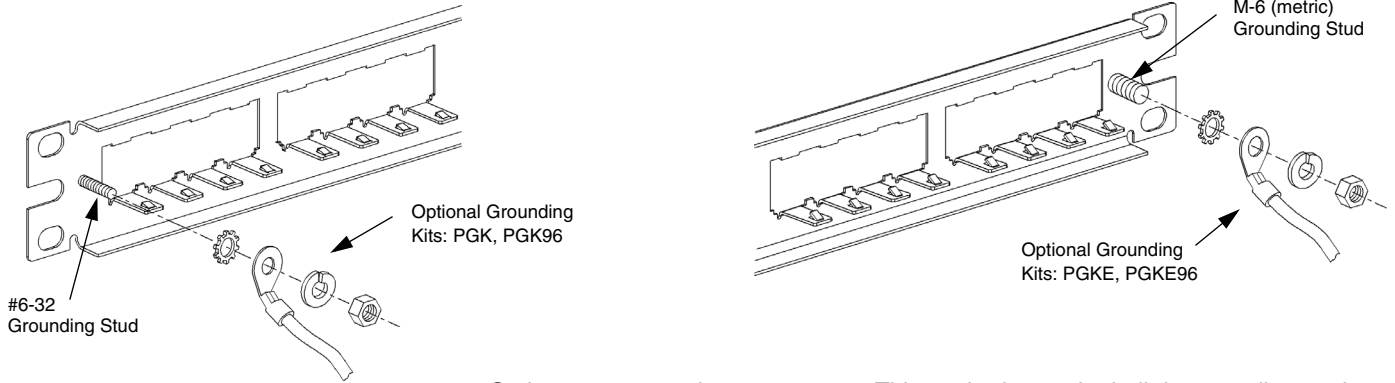


Fig. 2

Grounding Options (continued)

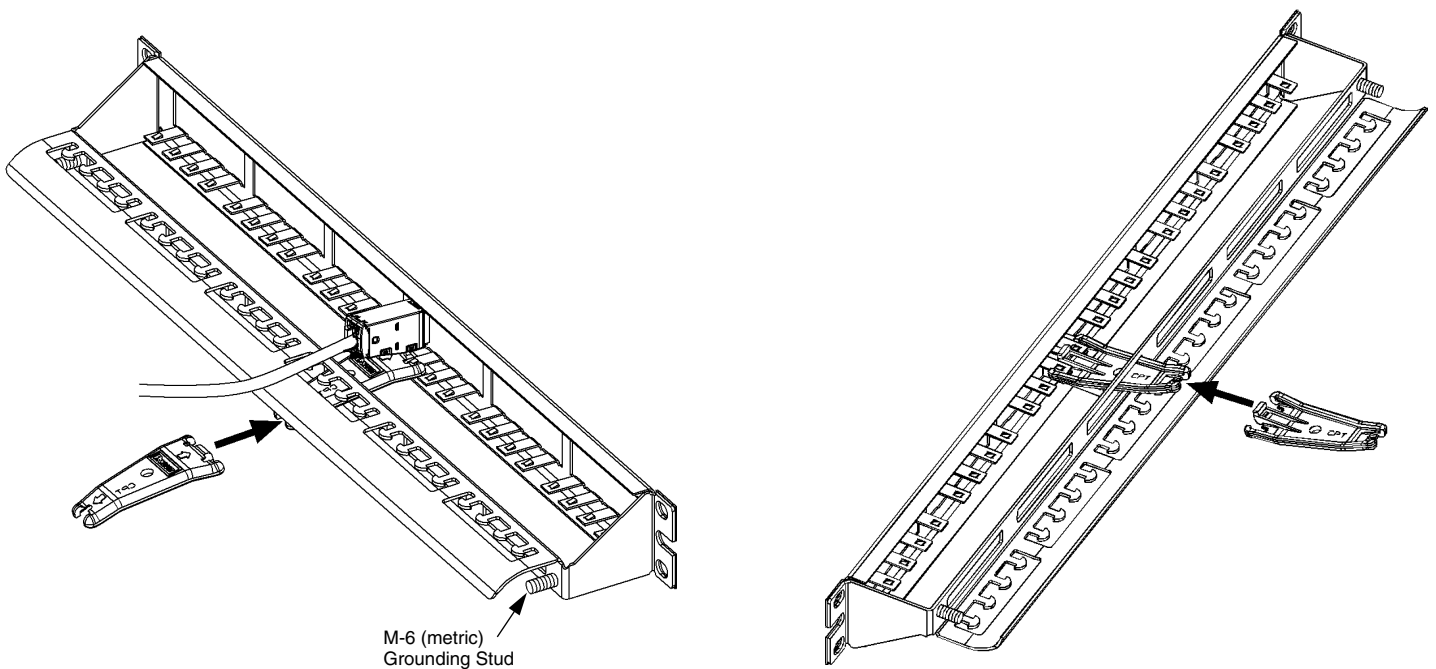
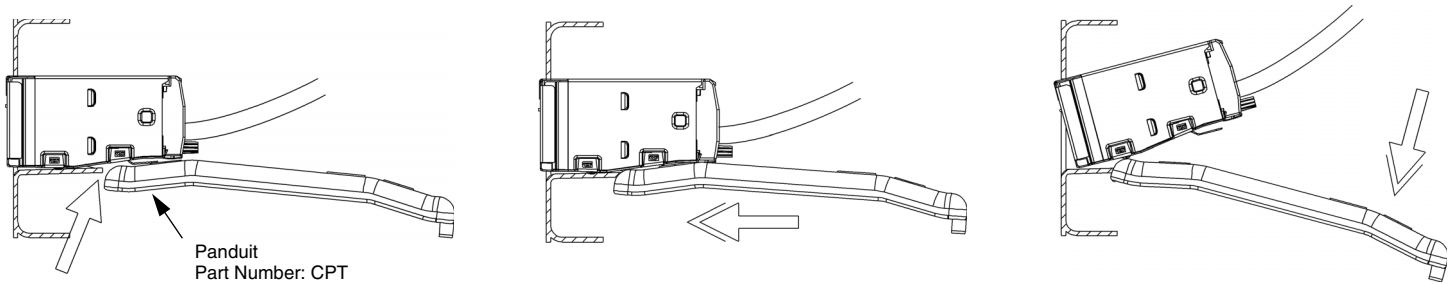
Fig. 3



Option #2 supports legacy systems. This method uses the built-in grounding stud on metal panels and grounding strap that comes in a kit (sold separately). See Fig. 3.

For details on the complete offering of “Structured Ground” Grounding system, refer to www.panduit.com/dcgrounding

Removal



For Instructions in Local Languages
and Technical Support:
www.panduit.com/resources/install_maintain.asp

PANDUIT
www.panduit.com

E-mail:
techsupport@panduit.com

Phone:
(866) 405-6654