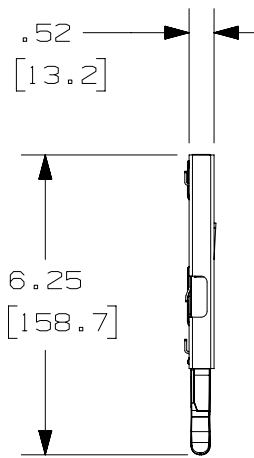
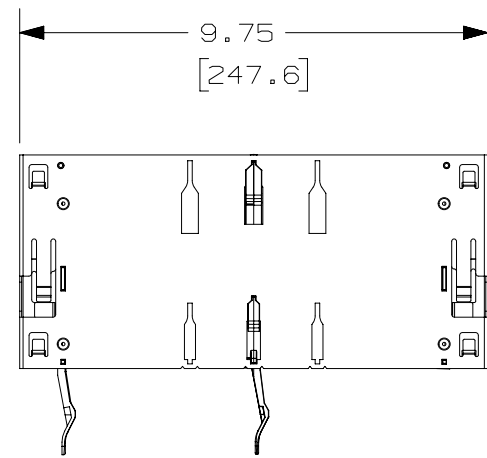


2

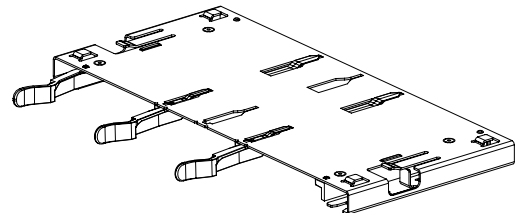
1

THIS COPY IS PROVIDED ON A RESTRICTED BASIS AND IS NOT TO BE USED IN ANY WAY DETRIMENTAL TO THE INTERESTS OF PANDUIT CORP.

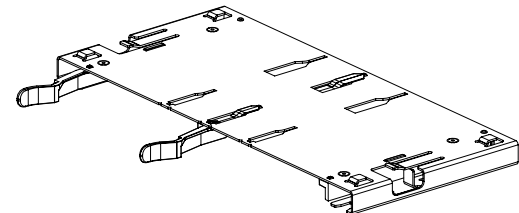


NOTES:

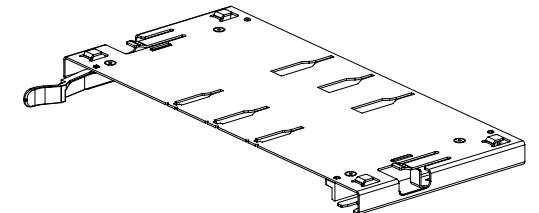
1. SEE CATALOG FOR COMPLETE LIST OF PARTS APPLICABLE FOR USE WITH THIS PART.
2. DIMENSIONS IN BRACKETS ARE METRIC.
3. ENCLOSURE MATERIAL: GALVANNEALED STEEL  
ENCLOSURE COLOR: BLACK
4. ALL MATERIALS AND COMPONENTS USED MEET THE MATERIAL RESTRICTIONS OF RoHS (EUROPEAN DIRECTIVE 2011/65/EC ON THE RESTRICTION OF HAZARDOUS SUBSTANCES) AS PROPOSED BY THE RoHS TECHNICAL ADAPTATION COMMITTEE.
5. PART WEIGHT 0.6 lbs (0.27 kg)



FLEX-ORUCH04



FLEX-ORUCH06



FLEX-ORUCH12

| 01  | 10-04-16 | SAT | BONS | TMK | RELEASED TO PRODUCTION |  |  |  |  | 15F318AH-DC |
|-----|----------|-----|------|-----|------------------------|--|--|--|--|-------------|
| REV | DATE     | BY  | CHK  | APR | DESCRIPTION            |  |  |  |  | ECN         |

|  |  |  |  |  |                 |  |     |      |       |  |  |
|--|--|--|--|--|-----------------|--|-----|------|-------|--|--|
| TITLE  |  |  |  |  |                 |  |     |      |       |  |  |
| HD FLEX ORU CASSETTE HOLDER  |  |  |  |  |                 |  |     |      |       |  |  |
| CONTROL DRAWING  |  |  |  |  |                 |  |     |      |       |  |  |
| ITEM REVISION NAME   |  |  |  |  | 15F318AH/01     |  |     |      |       |  |  |
| DATASET FILE NAME  |  |  |  |  | 15F318AH_DC/01A |  |     |      |       |  |  |
| UNLESS OTHERWISE SPECIFIED,<br>DIMENSIONAL TOLERANCES ARE: IN (mm) |  |  |  |  |                 |  |     |      |       |  |  |
| DIMENSIONS ARE FOR<br>REFERENCE ONLY                               |  |  |  |  |                 |  |     |      |       |  |  |
| DRAWN BY   |  |  |  |  | DATE            |  | CHK |      | SCALE |  |  |
| BONS   |  |  |  |  | 8-9-16          |  | SAT |      | 1:4   |  |  |
| THIRD ANGLE<br>PROJECTION  |  |  |  |  |                 |  |     |      |       |  |  |
| PART NO:   |  |  |  |  |                 |  |     |      |       |  |  |
| FLEX-ORUCH**   |  |  |  |  |                 |  |     |      |       |  |  |
| DRAWING NUMBER:  |  |  |  |  |                 |  |     |      |       |  |  |
| 15F318AH-DC  |  |  |  |  |                 |  |     |      |       |  |  |
| SHT 1 OF 1   |  |  |  |  |                 |  |     | SIZE |       |  |  |
|  |  |  |  |  |                 |  |     | A    |       |  |  |

2

1