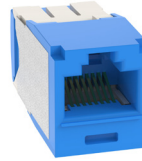


Mini-Com® TX6™ PLUS UTP Jack Modules

SPECIFICATIONS

Category 6/Class E, 8-position, UTP jack module shall terminate 4-pair, 22 – 26 AWG, 100 ohm unshielded twisted pair cable and shall not require a punchdown tool. UTP jack modules shall use a forward motion termination method to optimize performance by maintaining cable pair geometry while eliminating conductor untwist. The termination cap shall be color-coded white to designate Category 6 performance and shall include a universal label coded for T568A and T568B wiring schemes.



TECHNICAL INFORMATION

Category 6/Class E channel and component performance:	Exceeds channel requirements of ANSI/TIA-568.2-D Category 6 and ISO 11801 Class E standards at swept frequencies 1 to 250 MHz Exceeds component requirements of ANSI/TIA-568.2-D Category 6 and ISO 11801 Class E standards at swept frequencies 1 to 250 MHz
FCC and ANSI compliance:	Meets ANSI/TIA-1096-A contacts plated with 50 microinches of gold for superior performance
IEC compliance:	Meets IEC 60603-7 and IEC 60512-99-002
RoHS compliance:	Compliant
PoE & PoH compliance:	Meets IEEE 802.3af / 802.3at and 802.3bt type 3 and type 4. Supports Power over HDBaseT up to 100 watts
c(UL)us Listed:	UL 1863 (Use as communications circuit accessory); CSA standard C22.2 UL 2043 (Suitable for use in air-handling spaces)
Operating temperature:	14°F to 149°F (-10°C to 65°C)
Conductor termination range:	Wire cap compatible with 22 – 26 AWG solid or stranded cable with conductor insulation diameters of 0.06 in. (1.52mm) max. and overall cable O.D. 0.200 in. to 0.330 in. (5.8mm to 8.38mm)

KEY FEATURES AND BENEFITS

100% Performance tested:	Confidence that each jack module will deliver the critical electrical performance requirements
Utilizes enhanced Giga-TX™ Technology:	Optimizes performance by eliminating conductor untwist and reduces installation time and expense
Modular:	UTP jack modules snap in and out of all Mini-Com Faceplates, Modular Patch Panels and Surface Mount Boxes for easy moves, adds, and changes
Individually serialized:	Marked with quality control number for future traceability
RJ45 interface:	Industry standard interface provides a quick and easy plug and play connection to RJ45 patch cords; backwards compatible
Identification:	Can be clearly identified with optional labels and icons for port identification

APPLICATIONS

Mini-Com TX6 PLUS UTP Jack Modules are a component of the TX6 PLUS UTP Copper Cabling System. This end-to-end system is interoperable and backwards compatible, providing design flexibility to protect network investments well into the future. With certified performance to the ANSI/TIA-568.2-D Category 6 and ISO 11801 Class E standards, this system is ideal for today's high performance workstation applications. With certified performance to the ANSI/TIA-568.2-D Category 6 and ISO 11801 Class E standards, these systems will support the following applications:

- Ethernet 10BASE-T, 100BASE-T (Fast Ethernet), 1000BASE-T (Gigabit Ethernet)
- Digital video and broadband/baseband analog video
- Voice over Internet Protocol (VoIP)

Mini-Com TX6 PLUS UTP Jack Modules

Jack module: CJ688TG^{^A}

Shuttered jack module: CJH688TG^{*}

Tools and Accessories

Jack module termination tool: EGJT-1 or TGJT

Wire snipping tool: CWST

Wire stripping tool: CJUST

Clear dust cap: MDC-C

Block out device: PSL-DCJB^{^^^+}

Phone icons: CIPIW-C

Data icons: CID^{++-C}

Wire cap replacement, pack of 100: CJ6CAPIW-C

^{*}Colors: IW (Off White), WH (White), EI (Electric Ivory), IG (International Gray), AW (Arctic White), BL (Black), BU (Blue), RD (Red), YL (Yellow), GR (Green), OR (Orange), VL (Violet), BR (Brown), GD (Gold), LB (Light Blue), or PK (Pink).

Note: PK (Pink) not available for bulk packs or shuttered jack modules

[^]Add -24 to indicate bulk packs of 24 pieces or add -C to indicate bulk packs of 100 pieces to reduce single-use plastic

^{^^^}Colors other than Red: -BL (Black), -BU (Blue), -YL (Yellow), -GR (Green), -OR (Orange), -IW (Off White), -IG (International Gray)

⁺Add -C to indicate bulk package with 100 pieces per pack to reduce single-use plastic

⁺⁺Colors: WH (White), BU (Blue), RD (Red), YL (Yellow), GR (Green), OR (Orange)



All listed part numbers are compliant with the U.S. Trade Agreements Act (TAA) for purchases shipped to customers in the United States.

Mini-Com® TX6™ PLUS UTP Jack Modules

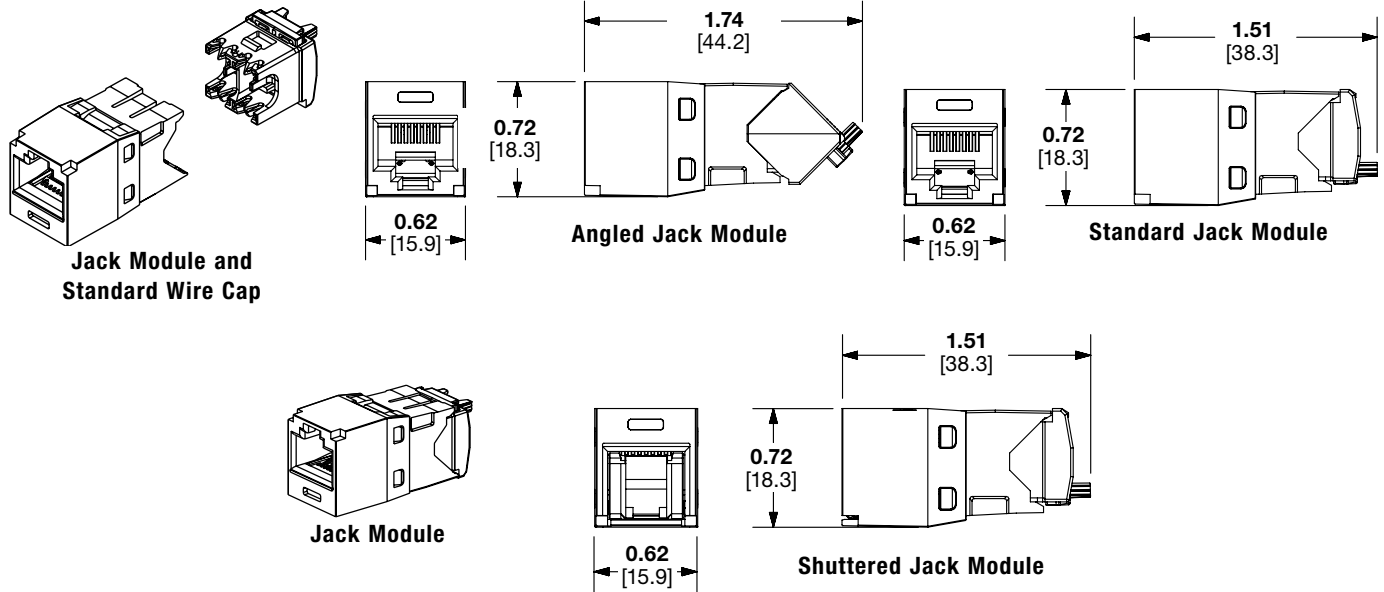
TEST RESULTS

Mechanical Test	Test Method	Measurement	Typical Test Results
Normal Force	ANSI/TIA-1096-A	Load (grams)	> 100
Vibration	IEC 512-6d	Circuit Resistance (mOhms)	< 40
Shock	IEC 512-6c	Contact Disturbance (microseconds)	< 5
Durability	IEC 512-9a	Circuit Resistance (mOhms)	< 40
Mating/Un-mating	IEC 512-13b	Mating Force (N)	< 20
		Un-mating Force (N)	
Termination Cycles	IEC 352	Number of Cycles	
Mating Cycles	IEC 60603-7	Number of plug insertions	> 2500

Electrical Test	Test Method	Measurement	Typical Test Results
Low Level Circuit Resistance	IEC 512-2a	Resistance (mOhms)	< 20
Dielectric Withstand Voltage	IEC 512-4a	1000 VAC, 1 minute	Passed
Insulation Resistance	IEC 512-3a	Resistance (mOhms)	> 500

Environmental Test	Test Method	Measurement	Typical Test Results
Temperature Life	IEC 512-9b	Circuit Resistance (mOhms)	< 40
Humidity	IEC 512-11c	Circuit Resistance (mOhms)	
Thermal Shock	IEC 512-11d	Circuit Resistance (mOhms)	
Climatic Sequence	IEC 512-11a	Circuit Resistance (mOhms)	
Flowing Mixed Gas Corrosion	IEC 512-11g	Circuit Resistance (mOhms)	

ENGINEERING DRAWINGS



Dimensions are in inches. [Dimensions in brackets are metric].

WORLDWIDE SUBSIDIARIES AND SALES OFFICES

PANDUIT US/CANADA
Phone: 800.777.3300

PANDUIT EUROPE LTD.
London, UK
Phone: 44.20.8601.7200

PANDUIT SINGAPORE PTE. LTD.
Republic of Singapore
Phone: 65.6305.7575

PANDUIT JAPAN
Tokyo, Japan
Phone: 81.3.6863.6000

PANDUIT LATIN AMERICA
Guadalajara, Mexico
Phone: 52.33.3777.6000

PANDUIT AUSTRALIA PTY. LTD.
Victoria, Australia
Phone: 61.3.9794.9020

For a copy of Panduit product warranties, log on to www.panduit.com/warranty

For more information

Visit us at www.panduit.com
Contact Customer Service by email: cs@panduit.com
or by phone: 800.777.3300

PANDUIT®

© 2024 Panduit Corp.
ALL RIGHTS RESERVED.
COSP317-WW-ENG
7/2024