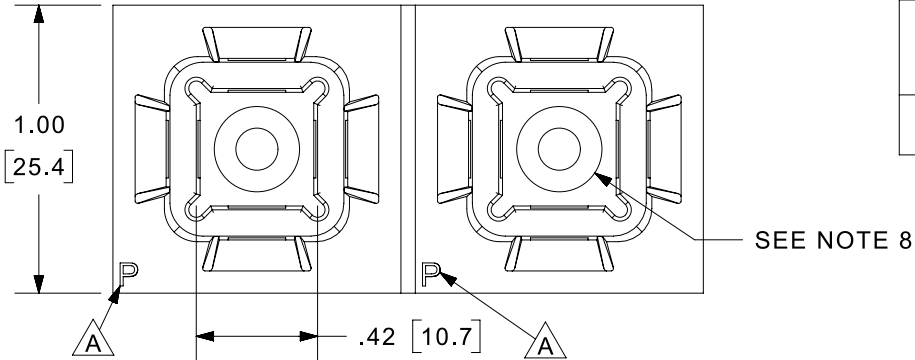


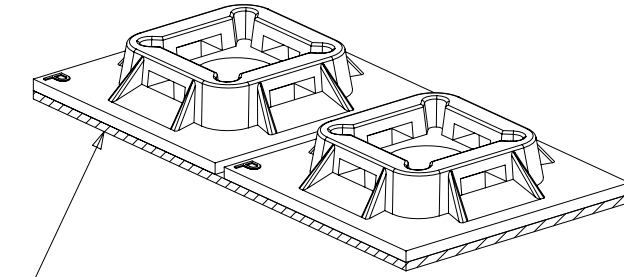
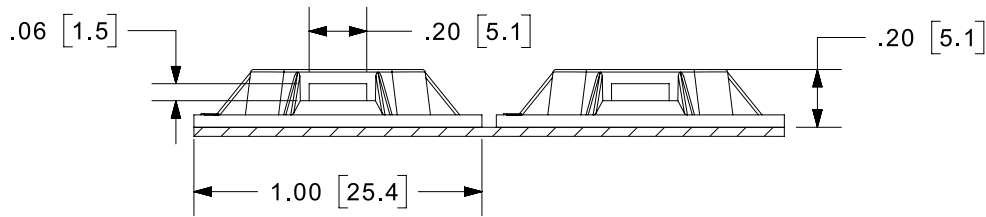
THIS COPY IS PROVIDED ON A RESTRICTED BASIS AND IS NOT TO BE USED IN ANY WAY DETRIMENTAL TO THE INTERESTS OF PANDUIT CORP.



PANDUIT PART NUMBER	WEIGHT lbs/100 pcs (g)/100 pcs	USE WITH ANY OF THESE CABLE TIE CROSS-SECTIONS
ABM100-A	0.33 (150)	M, I, S SG100M, SG150I

SEE NOTE 8

NO WARRANTY, EXPRESSED OR IMPLIED, IS MADE BY PANDUIT WITH RESPECT TO ADHESIVE BOND PERFORMANCE. AMONG OTHER THINGS, THE CONDITIONS UNDER WHICH THESE MOUNTS MAY BE APPLIED AND/OR THE SURFACE TO WHICH THEY MAY BE APPLIED ARE BEYOND PANDUIT'S CONTROL.



ADHESIVE BACKING: RUBBER BASED ADHESIVE PRESSURE SENSITIVE FOAM TAPE 0.04 [1.0] THICK WITH A PROTECTIVE LINER. MOUNT IS DESIGNED TO SUPPORT 0.50 lbs (227g) MAX. WEIGHT ON A CLEAN DRY SMOOTH SURFACE.

NOTES:

- VISIT OUR ON-LINE CATALOG AT WWW.PANDUIT.COM FOR A LIST OF CURRENT PARTS APPLICABLE FOR USE WITH THIS PRODUCT.
- DIMENSIONS IN [] ARE METRIC.
- ALL MATERIALS AND COMPONENTS USED MEET THE MATERIAL RESTRICTIONS OF RoHS (EUROPEAN DIRECTIVE 2011/65/EU ON THE RESTRICTION OF HAZARDOUS SUBSTANCES) AS PROPOSED BY THE RoHS TECHNICAL ADAPTATION COMMITTEE.
- SEE CURRENT PRICE SHEET FOR PART NUMBER SUFFIX DESIGNATION FOR PACKAGE SIZE AND COLOR.
- THE '-A' SUFFIX REPRESENTS RUBBER ADHESIVE.
- SUPPLIED IN STRIPS OF TWO.
- MOUNT HAS A MAXIMUM CONTINUOUS OPERATING TEMPERATURE OF 120°F (49°C).
- HOLE FOR STANDARD S6 FLAT HEAD SCREW.

PART NUMBER		ABM100-A	
TITLE		ABM100-A FOUR WAY MOUNT CUSTOMER DRAWING	
ITEM REVISION NAME		15K999BB/03	
DATASET FILE NAME		15K999BB_DC/03A ABM100 CUST DWG	
UNLESS OTHERWISE SPECIFIED, DIMENSIONAL TOLERANCES ARE: IN' [mm]		.X ± 0.05 [1.3] .XXX ± 0.010 [0.25] .XX ± 0.02 [0.5] ANGLES ±5°	
MATERIAL		NYLON 6/6	
DRAWN BY		JEPF	
DATE		7/5/22	
CHK		MSAD	
SCALE		1.5:1	
DRAWING NUMBER		15K999BB-DC	
SHEET 1 OF 1		A	

REV	DATE	BY	CHK	APR	DESCRIPTION	ECN
03A	4/8/2024	RVU	MSAD	DJSL	A. REPLACED FROM OLD PANDUIT LOGO TO "P" ON MODEL.	GAECN07077
02B	7/25/22	JEFP	KLN	MSAD	ADDED TOLERANCE TO THE TITLE BLOCK	GAECN06563
02A	7/6/22	JEFP	KLN	MSAD	INITIAL RELEASE. THIS DWG REPLACES DWG GB0033BA r06B.	GAECN06543

A-SIZE CUSTOMER

