

SPECIFICATIONS

Mini-Com® Stainless Steel Faceplates with labels shall be available in 2-, 4-, and 6-port, and sloped recessed in 2-, and 4-port, both in single-gang configuration. Each faceplate shall accept copper, fiber, and AV modules that snap in and out without the use of tools. Faceplates shall have flush profile, with built in label pocket for easy identification. Stainless steel material shall be attached to a high impact ABS backing to provide a durable faceplate with brushed stainless steel finish. Faceplates shall be TAA compliant.



Single Gang Faceplates with Labels

2-port:	CFPL2SU
4-port:	CFPL4SU
6-port:	CFPL6SU

Single Gang Sloped Recessed Faceplates with Labels

2-port:	CFPSL2S
4-port:	CFPSL4S

TECHNICAL INFORMATION

Material:	304 grade stainless steel with satin finish is mounted on ABS backing and is suitable for hospital and laboratory environments
Mounting options:	Screw holes spaced for single-gang openings
Packaging:	Supplied with two 1" long #6-32 slotted head screws and label kit; faceplates packaged one per bag, ten per box
RoHS compliance:	Compliant

KEY FEATURES AND BENEFITS

Durable:	Impact resistant material supports installations in high traffic
Modular:	Accepts all Mini-Com modules which snap in and out for easy moves, adds and changes
Identification:	Can be clearly identified with labels for easy port identification
Sloped Recessed:	Allows proper bend radius

APPLICATIONS

Mini-Com Stainless Steel Faceplates are ideal for use in hospitals, laboratories, schools, and office environments. The faceplates are compatible with standard single-gang electrical boxes, wall board adapters, and raceway mounting brackets. These durable stainless steel faceplates are available with labels and are TAA compliant. Port configuration are side by side making dual modules compatible with this product.

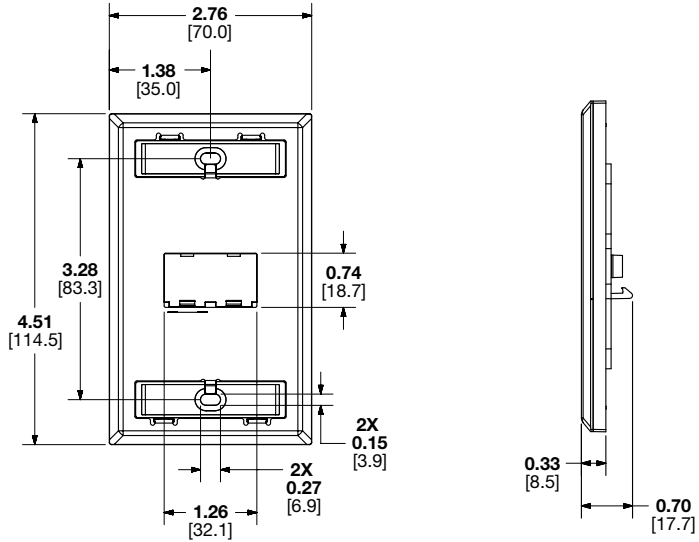
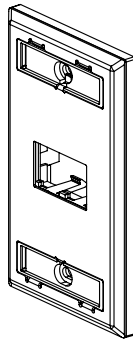


All Part Numbers Compliant with the U.S. Trade Agreements Act (TAA) for purchases shipped to the United States.

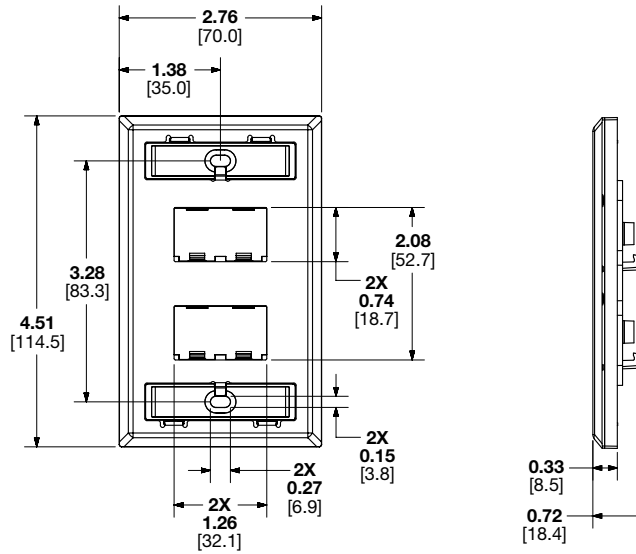
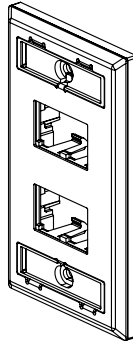
Mini-Com® Stainless Steel Faceplates

ENGINEERING DRAWING

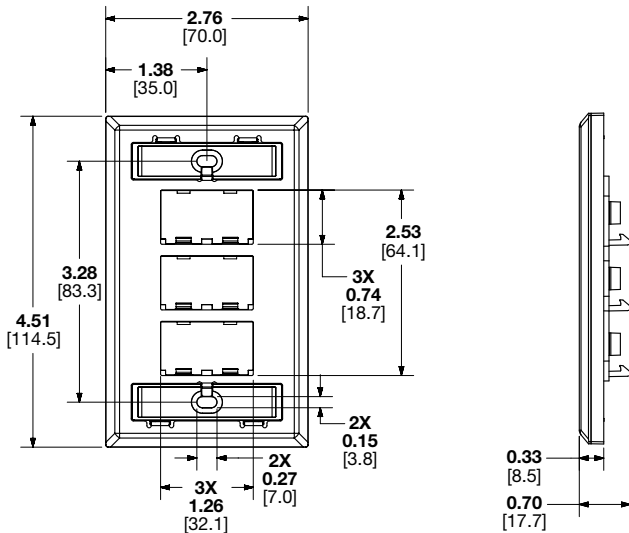
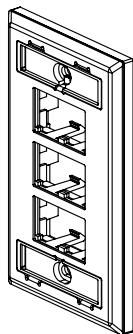
CFPL2SU



CFPL4SU



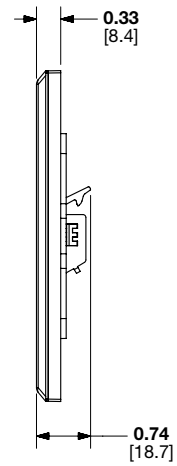
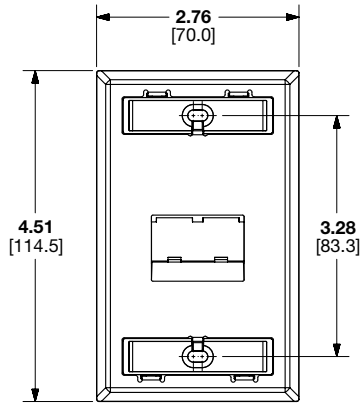
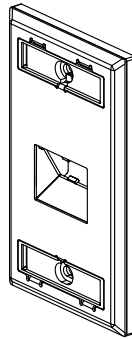
CFPL6SU



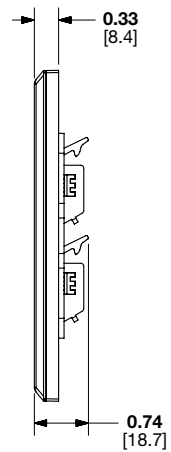
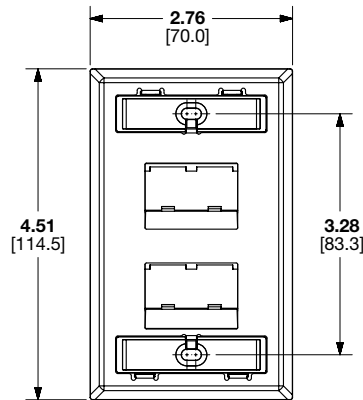
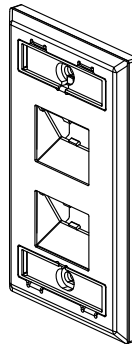
Dimensions are in inches. [Dimensions in brackets are metric].

Mini-Com® Stainless Steel Faceplates

CFPSL2S



CFPSL4S



Dimensions are in inches. [Dimensions in brackets are metric].

WORLDWIDE SUBSIDIARIES AND SALES OFFICES

PANDUIT US/CANADA
Phone: 800.777.3300

PANDUIT EUROPE LTD.
London, UK
Phone: 44.20.8601.7200

PANDUIT SINGAPORE PTE. LTD.
Republic of Singapore
Phone: 65.6305.7575

PANDUIT JAPAN
Tokyo, Japan
Phone: 81.3.6863.6000

PANDUIT LATIN AMERICA
Guadalajara, Mexico
Phone: 52.33.3777.6000

PANDUIT AUSTRALIA PTY. LTD.
Victoria, Australia
Phone: 61.3.9794.9020

For a copy of Panduit product warranties, log on to www.panduit.com/warranty



For more information
Visit us at www.panduit.com
Contact Customer Service by email: cs@panduit.com
or by phone: 800.777.3300

© 2024 Panduit Corp.
ALL RIGHTS RESERVED.
RKSP222-WW-ENG
2/2024