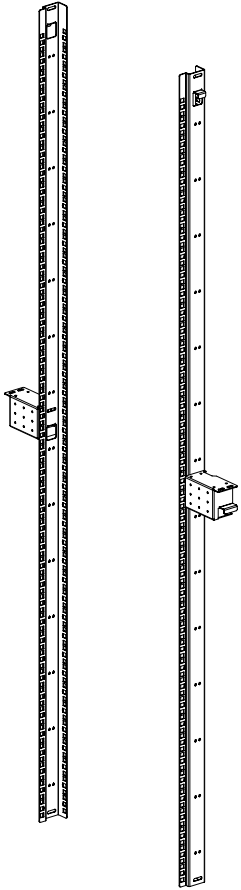


THIS COPY IS PROVIDED ON A RESTRICTED BASIS AND IS NOT TO BE USED IN ANY WAY DETRIMENTAL TO THE INTERESTS OF PANDUIT CORP.

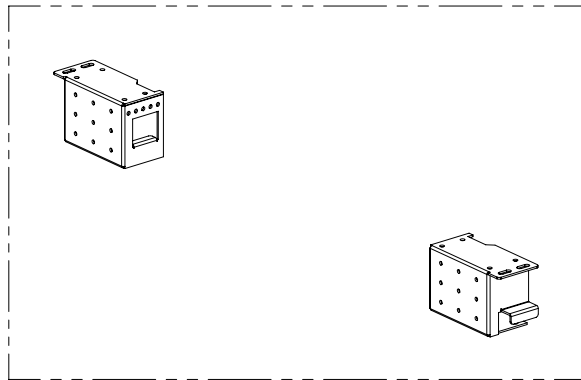


(1) SET OF E-RAILS

PANDUIT PART NO.	DESCRIPTION	WEIGHT
D2ER*	D-TYPE E-RAIL 600/800mm WIDE X 42RU	6.09 Kg/EACH (13.43 LBS/EACH)
D5ER*	D-TYPE E-RAIL 600/800mm WIDE X 45RU	6.5 Kg/EACH (14.33 LBS/EACH)
D8ER*	D-TYPE E-RAIL 600/800mm WIDE X 48RU	7.5 Kg/EACH (16.23 LBS/EACH)

NOTE:

\* DENOTES COLOR - ADD SUFFIX  
"B" FOR BLACK AND "W" FOR WHITE



E-RAIL CENTER  
MOUNTING BRACKETS  
(NOT INSTALLED)

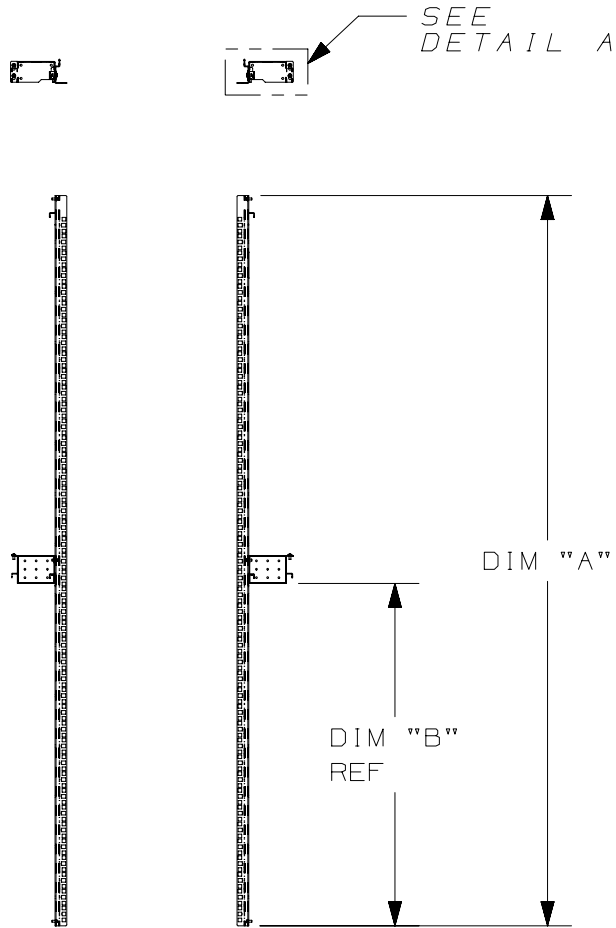
NOTES:

- VISIT OUR ON-LINE CATALOG AT [WWW.PANDUIT.COM](http://WWW.PANDUIT.COM) FOR A LIST OF CURRENT PARTS APPLICABLE FOR USE WITH THIS PRODUCT.
- PRIMARY DIMENSIONS ARE IN MILLIMETERS (mm).
- PARTS SUPPLIED:  
(1)- SET OF E-RAILS  
(1)- HARDWARE KIT  
(1)- INSTRUCTION SHEET

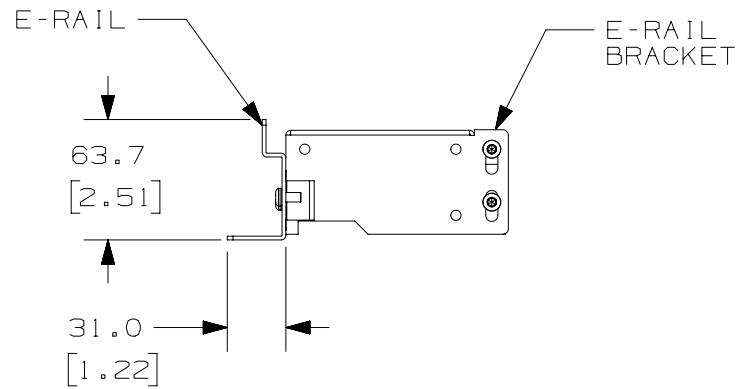
REV	DATE	BY	CHK	APR	DESCRIPTION	ECN	TITLE				MATERIAL:		
							<b>D-TYPE E-RAIL D*ER*</b>				<b>PANDUIT</b>		
							CUSTOMER DRAWING						
							ITEM REVISION NAME		15V526ZN/06				DRAWING NUMBER: 15V526ZN-DC
							DATASET FILE NAME		15V526ZN_DC/06A				
06A	6-1-18	LEE	DWR	SJP	A. ADDED D8ER* TO CHARTS ON SHEET 1 & 2 (CORRECTED WEIGHT FOR 42 & 45)	V09001RP	 THIRD ANGLE PROJECTION				N/A		
04A	1-17-17	LEE	DWR		RELEASED TO PRODUCTION	V09001CM/05							
REV	DATE	BY	CHK	APR	DESCRIPTION	ECN	DRAWN BY LEE	DATE 1-17-17	CHK DWR	SCALE NONE	SHT 1 OF 2		SIZE A

D10100DA/20

THIS COPY IS PROVIDED ON A RESTRICTED BASIS AND IS NOT TO BE USED IN ANY WAY DETRIMENTAL TO THE INTERESTS OF PANDUIT CORP.



PANDUIT PART NO.	DESCRIPTION	DIM "A"	DIM "B"
D2ER*	D-TYPE E-RAIL 600/800mm WIDE X 42RU	1932.2 [ 76.07 ]	905.9 [ 35.67 ]
D5ER*	D-TYPE E-RAIL 600/800mm WIDE X 45RU	2065.6 [ 81.32 ]	972.6 [ 38.29 ]
D8ER*	D-TYPE E-RAIL 600/800mm WIDE X 48RU	2198.9 [ 86.57 ]	1039.2 [ 40.91 ]



DETAIL A  
SCALE 1 : 4

REV	DATE	BY	CHK	APR	DESCRIPTION	ECN
06A	5-31-18	LEE	DWR	SJP	SEE SHEET 1 FOR REVISIONS	V09001RP
04A	1-17-17	LEE	DWR		SEE SHEET 1 FOR REVISIONS	V09001CM/05

TITLE			
D-TYPE E-RAIL D*ER*			
CUSTOMER DRAWING			
ITEM REVISION NAME		<b>PANDUIT</b>	
15V526ZN/06			
DATASET FILE NAME		MATERIAL:	
15V526ZN_DC/06A			
		N/A	
		DRAWING NUMBER:	
		15V526ZN-DC	
DRAWN BY	DATE	CHK	SCALE
LEE	1-17-17	DWR	NONE
		SHT 2 OF 2	
		A	

DI0100DA/20