

THIS COPY IS PROVIDED ON A RESTRICTED BASIS AND IS NOT TO BE USED IN ANY WAY DETRIMENTAL TO THE INTERESTS OF PANDUIT CORP.

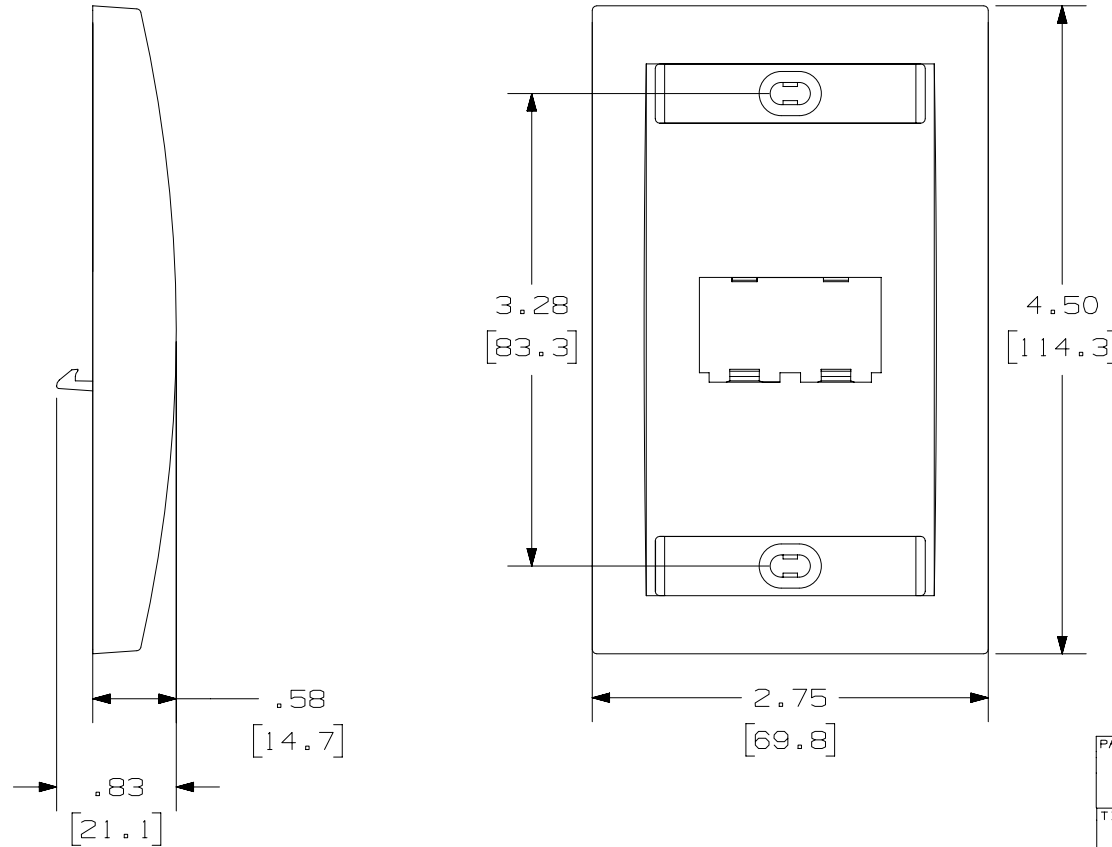
PANDUIT P/N	WEIGHT
CFPE2**Y	.72 LB/10 PCS (326.6 g/10 PCS)
CFPE2**-X	.72 LB/10 PCS (326.6 g/10 PCS)

NOTES:

- SEE CURRENT CATALOG FOR ADDITIONAL PART NUMBER SUFFIXES TO INDICATE COLOR AND OR PACKAGE QUANTITY.
- SEE CATALOG FOR COMPLETE LIST OF PARTS APPLICABLE FOR USE WITH THIS PART.
- DIMENSIONS IN [] ARE IN METRIC.
- CFPE2**Y INCLUDES:
 - 1 - FACEPLATE
 - 2 - LABEL
 - 2 - LABEL COVER
 - 2 - MOUNTING SCREW

CFPE2**-X INCLUDES:

- 10 - FACEPLATES
- 20 - LABELS
- 20 - LABEL COVERS
- 20 - MOUNTING SCREWS



PART NUMBER		SEE TABLE	
TITLE			
MINI-COM 2 POSITION EXECUTIVE SERIES FACEPALTE CUSTOMER DRAWING			
ITEM REVISION NAME		M02479EK/02	
DATASET FILE NAME		M02479EK_DC/02A	
UNLESS OTHERWISE SPECIFIED, DIMENSIONAL TOLERANCES ARE: IN [mm]		MATERIAL:	
.X ± .03 [.8]		ABS	
.xxx ± .010 [.3]		DRAWING NUMBER:	
ANGLES ±		02479-117	
THIRD ANGLE PROJECTION		SHT 1 OF 1	
DRAWN BY	DATE	CHK	SCALE
JSP	4-26-06	MJD	NONE
REV	DATE	BY	CHK
DESCRIPTION		ECN	

REV	DATE	BY	CHK	APR	DESCRIPTION	ECN
02A	12-14-21	MDJR	JCO	REFR	B. ADDED BULK PACK PART NUMBER.	02479-117
1	3/11/14	JSP	REFR	MMR	A. REVISED DRAWING TITLE BLOCK.	02479-117
R	4-26-06	JSP	MJD	MJD	RELEASED TO PRODUCTION	02479-117

D10100DA/14