

## specifications

---

The Pedestal Fiber Splice Closure shall house, organize, manage and protect fiber optic cables and splices. The closure shall be hermetically sealed and provide IP68 rated protection when properly used with the provided grommet to seal cable entry and exits. The closure shall be validated to accommodate a maximum of 80 single fusion fibers. To be included are the closure dome, fiber tray, and grommet kit.



## technical information

---

**Dimensions:** 9.5"W x 17"H (241.3mm x 431.8mm)

**Standards:** Telcordia<sup>®</sup> GR-771-CORE Buried, Underground

**Ingress Protection:** IP68

---

## key features and benefits

---

**4 port end plate** Provides independent access to each cable port without disrupting surrounding cables

**Hermetically sealed** Eliminates potential for water intrusion and prevents invasion of insects

**Durable protection** Closure is manufactured out of a flame and impact resistant polymer

**Flexible grommet sealing technology (included)** Supports a wide range of flat and round cable profiles

---

## applications

---

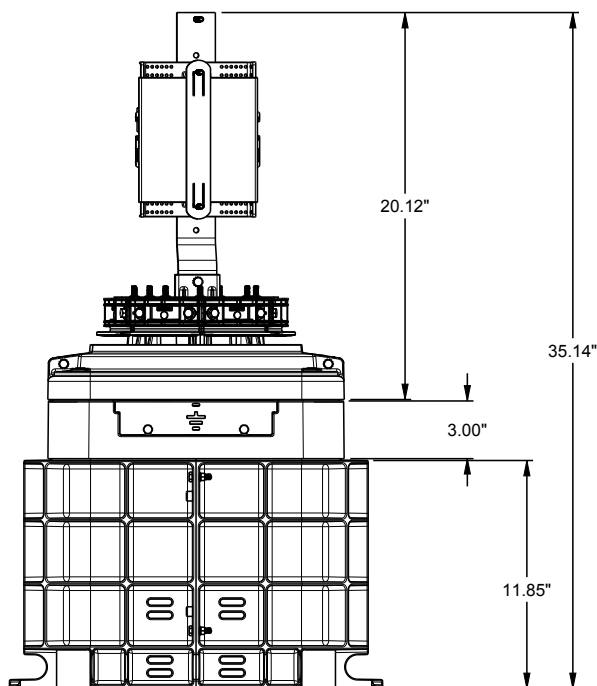
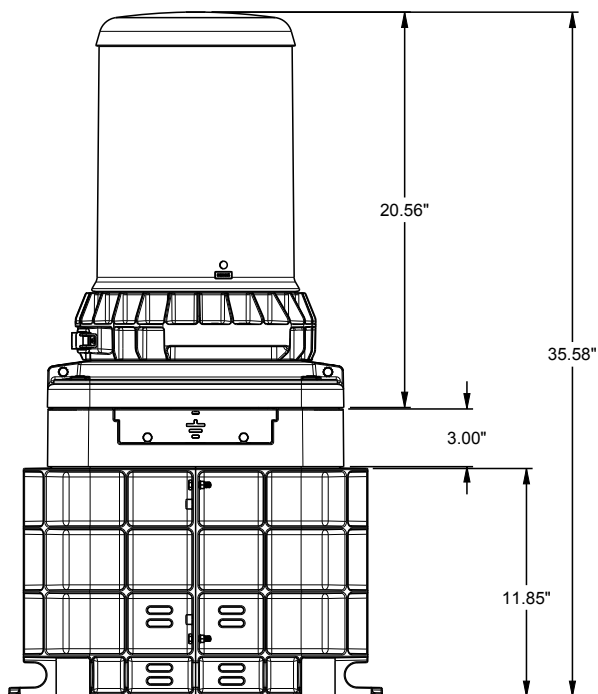
The Pedestal Fiber Splice Closure protects spliced fibers in a hermetically sealed encasement and is installed above ground. Grommet kits are included to allow for flexibility in cable size, while sealing entry/exit points to provide an IP68 rated seal. The cable restraint hardware inside the closure provides proper pull-out strength and restricts the strength member from pistoning inside the closure.

# Outdoor Pedestal Closure

## selection information

Part Number	Description
OFCP17BF	Pedestal closure, 9.5" x 17", w/ universal organizer, and (1) OFC40SST tray, includes: (2) 2-hole 0.42"-0.60", (1) 4-hole 0.30"-0.43", and (1) 6-hole 0.125"-0.25" and flat drop grommet kit.

Accessories	Description	Maximum Tray Capacity
OFC40SST	Single Fiber Splice Tray, 40 Ct.	2



Dimensions are in inches.

### WORLDWIDE SUBSIDIARIES AND SALES OFFICES

PANDUIT US/CANADA  
Phone: 800.777.3300

PANDUIT EUROPE LTD.  
London, UK  
Phone: 44.20.8601.7200

PANDUIT SINGAPORE PTE. LTD.  
Republic of Singapore  
Phone: 65.6305.7575

PANDUIT JAPAN  
Tokyo, Japan  
Phone: 81.3.6863.6000

PANDUIT LATIN AMERICA  
Guadalajara, Mexico  
Phone: 52.33.3777.6000

PANDUIT AUSTRALIA PTY. LTD.  
Victoria, Australia  
Phone: 61.3.9794.9020

For a copy of Panduit product warranties, log on to [www.panduit.com/warranty](http://www.panduit.com/warranty)

# PANDUIT®

For more information  
Visit us at [www.panduit.com](http://www.panduit.com)  
Contact Customer Service by email: [cs@panduit.com](mailto:cs@panduit.com)  
or by phone: 800.777.3300

© 2019 Panduit Corp.  
ALL RIGHTS RESERVED.  
Printed in the U.S.A.  
ZCSP37--WW-ENG  
12/2019