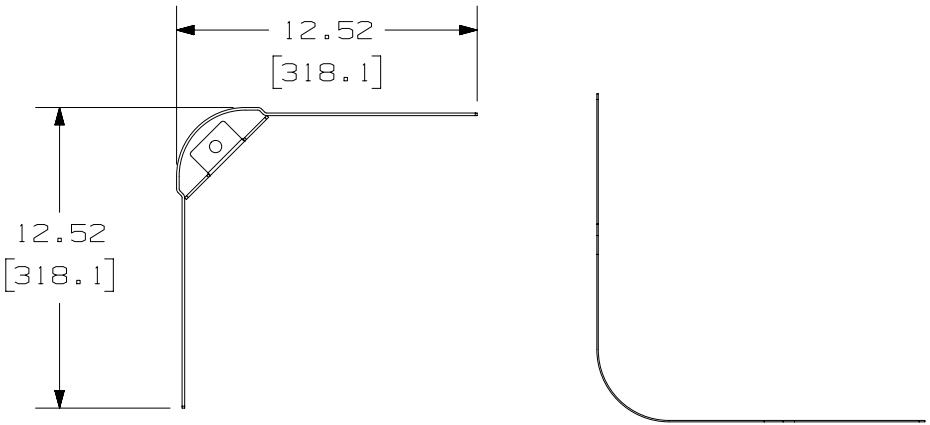
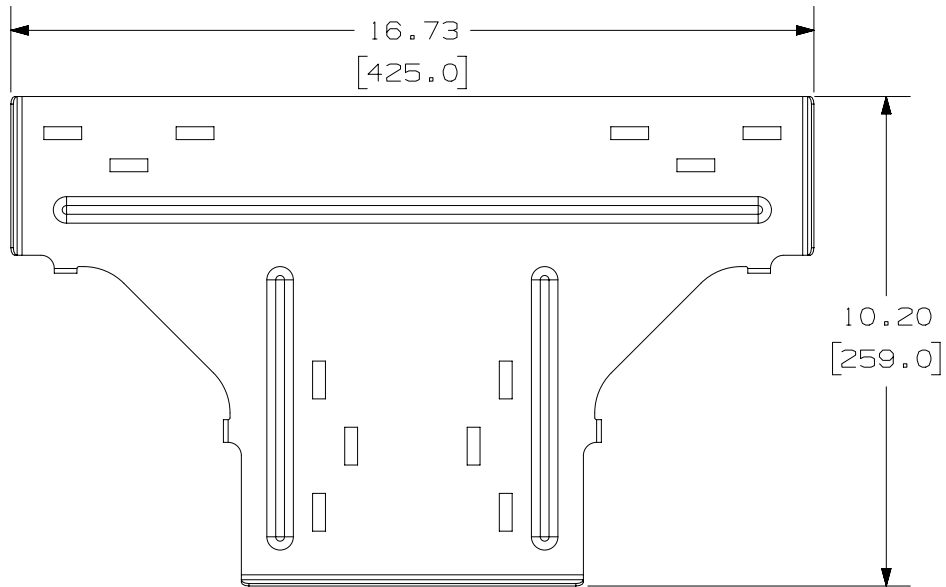


THIS COPY IS PROVIDED ON A RESTRICTED BASIS AND IS NOT TO BE USED IN ANY WAY DETRIMENTAL TO THE INTERESTS OF PANDUIT CORP.



SUPPORT BRACKET BEND RADIUS PROTECTOR



TEE BASE

NOTES:

1. VISIT OUR ON-LINE CATALOG AT WWW.PANDUIT.COM FOR A LIST OF CURRENT PARTS APPLICABLE FOR USE WITH THIS PRODUCT.
2. DIMENSIONS IN [] ARE METRIC.
3. ALL MATERIALS AND COMPONENTS USED MEET THE MATERIAL RESTRICTIONS OF RoHS (EUROPEAN DIRECTIVE 2011/65/EU ON THE RESTRICTION OF HAZARDOUS SUBSTANCES) AS PROPOSED BY THE RoHS TECHNICAL ADAPTATION COMMITTEE.
4. PART INCLUDES:
 - 1- TEE BASE
 - 2- SUPPORT BRACKET
 - 2- BEND RADIUS PROTECTOR
 - 8- C-CLIPS
 - 12- KEPS NUTS
 - 4- CABLE TIE
 - 8- PLASTIC RIVET
 - 4- CARRIAGE BOLT
 - 4- PLATE CLAMP

PART NUMBER	NOMINAL SIDEWALL HEIGHT	FINISH	WEIGHT
PWBPF2X8BL	2" (50mm)	BLACK POWDER	5.0 LBS/EACH (2268)g/EACH
PWBPF2X8WH		WHITE POWDER	
PWBPF2X8EZ		CLEAR ZINC	
PWBPF4X8BL	4" (100mm)	BLACK POWDER	5.2 LBS/EACH (2358.7)g/EACH
PWBPF4X8WH		WHITE POWDER	
PWBPF4X8EZ		CLEAR ZINC	
PWBPF6X8BL	6" (150mm)	BLACK POWDER	5.4 LBS/EACH (2449.4)g/EACH
PWBPF6X8WH		WHITE POWDER	
PWBPF6X8EZ		CLEAR ZINC	

TITLE										
WIRE BASKET FORMED TEE FITTING 8" (200mm) W										
CUSTOMER DRAWING										
ITEM REVISION NAME					00510JAN/00					
DATASET FILE NAME					00510JAN_DC/00C					
					PANDUIT THIRD ANGLE PROJECTION					
										MATERIAL
DRAWN BY					DATE		CHK		SCALE	
JSP					6/1/21		WJM		NONE	
DRAWING NUMBER					00510JAN-DC					
REV					DATE		BY		DESCRIPTION	
00C					12-15-23		SAT		DWR	
00B					4/18/22		JSP		DWR	
00A					6/1/21		JSP		WJM	
00C					6/1/21		JSP		WJM	
REV					DATE		BY		DESCRIPTION	
00C					12-15-23		SAT		DWR	
00B					4/18/22		JSP		DWR	
00A					6/1/21		JSP		WJM	
00C					6/1/21		JSP		WJM	
REV					DATE		BY		DESCRIPTION	
00C					12-15-23		SAT		DWR	
00B					4/18/22		JSP		DWR	
00A					6/1/21		JSP		WJM	
00C					6/1/21		JSP		WJM	
REV					DATE		BY		DESCRIPTION	
00C					12-15-23		SAT		DWR	
00B					4/18/22		JSP		DWR	
00A					6/1/21		JSP		WJM	
00C					6/1/21		JSP		WJM	
REV					DATE		BY		DESCRIPTION	
00C					12-15-23		SAT		DWR	
00B					4/18/22		JSP		DWR	
00A					6/1/21		JSP		WJM	
00C					6/1/21		JSP		WJM	
REV					DATE		BY		DESCRIPTION	
00C					12-15-23		SAT		DWR	
00B					4/18/22		JSP		DWR	
00A					6/1/21		JSP		WJM	
00C					6/1/21		JSP		WJM	
REV					DATE		BY		DESCRIPTION	
00C					12-15-23		SAT		DWR	
00B					4/18/22		JSP		DWR	
00A					6/1/21		JSP		WJM	
00C					6/1/21		JSP		WJM	
REV					DATE		BY		DESCRIPTION	
00C					12-15-23		SAT		DWR	
00B					4/18/22		JSP		DWR	
00A					6/1/21		JSP		WJM	
00C					6/1/21		JSP		WJM	
REV					DATE		BY		DESCRIPTION	
00C					12-15-23		SAT		DWR	
00B					4/18/22		JSP		DWR	
00A					6/1/21		JSP		WJM	
00C					6/1/21		JSP		WJM	
REV					DATE		BY		DESCRIPTION	
00C					12-15-23		SAT		DWR	
00B					4/18/22		JSP		DWR	
00A					6/1/21		JSP		WJM	
00C					6/1/21		JSP		WJM	
REV					DATE		BY		DESCRIPTION	
00C					12-15-23		SAT		DWR	
00B					4/18/22		JSP		DWR	
00A					6/1/21		JSP		WJM	
00C					6/1/21		JSP		WJM	
REV					DATE		BY		DESCRIPTION	
00C					12-15-23		SAT		DWR	
00B					4/18/22		JSP		DWR	
00A					6/1/21		JSP		WJM	
00C					6/1/21		JSP		WJM	
REV					DATE		BY		DESCRIPTION	
00C					12-15-23		SAT		DWR	
00B					4/18/22		JSP		DWR	
00A					6/1/21		JSP		WJM	
00C					6/1/21		JSP		WJM	
REV					DATE		BY		DESCRIPTION	
00C					12-15-23		SAT		DWR	
00B					4/18/22		JSP		DWR	
00A					6/1/21		JSP		WJM	
00C					6/1/21		JSP		WJM	
REV					DATE		BY		DESCRIPTION	
00C					12-15-23		SAT		DWR	
00B					4/18/22		JSP		DWR	
00A					6/1/21		JSP		WJM	
00C					6/1/21		JSP		WJM	
REV					DATE		BY		DESCRIPTION	
00C					12-15-23		SAT		DWR	
00B					4/18/22		JSP		DWR	
00A					6/1/21		JSP		WJM	
00C					6/1/21		JSP		WJM	
REV					DATE		BY		DESCRIPTION	
00C					12-15-23		SAT		DWR	
00B					4/18/22		JSP		DWR	
00A					6/1/21		JSP		WJM	
00C					6/1/21		JSP		WJM	
REV					DATE		BY		DESCRIPTION	
00C					12-15-23		SAT		DWR	
00B					4/18/22		JSP		DWR	
00A					6/1/21		JSP		WJM	
00C					6/1/21		JSP		WJM	
REV					DATE		BY		DESCRIPTION	
00C					12-15-23		SAT		DWR	
00B					4/18/22		JSP		DWR	
00A					6/1/21		JSP		WJM	
00C					6/1/21		JSP		WJM	
REV					DATE		BY		DESCRIPTION	
00C					12-15-23		SAT		DWR	
00B					4/18/22		JSP		DWR	
00A					6/1/21		JSP		WJM	
00C					6/1/21		JSP		WJM	
REV					DATE		BY		DESCRIPTION	
00C					12-15-23		SAT		DWR	
00B					4/18/22		JSP		DWR	
00A					6/1/21		JSP		WJM	
00C					6/1/21		JSP		WJM	
REV					DATE		BY		DESCRIPTION	
00C					12-15-23		SAT		DWR	
00B					4/18/22		JSP		DWR	
00A					6/1/21		JSP		WJM	
00C					6/1/21		JSP		WJM	
REV					DATE		BY		DESCRIPTION	
00C					12-15-23		SAT		DWR	
00B					4/18/22		JSP		DWR	
00A					6/1/21		JSP		WJM	
00C					6/1/21		JSP		WJM	
REV					DATE		BY		DESCRIPTION	
00C					12-15-23		SAT		DWR	
00B					4/18/22		JSP		DWR	
00A					6/1/21		JSP		WJM	
00C					6/1/21		JSP		WJM	
REV					DATE		BY		DESCRIPTION	
00C					12-15-23		SAT		DWR	
00B					4/18/22		JSP		DWR	
00A					6/1/21		JSP		WJM	
00C					6/1/21		JSP		WJM	
REV					DATE		BY		DESCRIPTION	
00C					12-15-23		SAT		DWR	
00B					4/18/22		JSP		DWR	
00A					6/1/21		JSP		WJM	
00C					6/1/21		JSP		WJM	
REV					DATE		BY		DESCRIPTION	
00C					12-15-23		SAT		DWR	
00B					4/18/22		JSP		DWR	
00A					6/1/21		JSP		WJM	
00C					6/1/21		JSP		WJM	
REV					DATE		BY		DESCRIPTION	
00C					12-15-23		SAT		DWR	
00B					4/18/22		JSP		DWR	
00A					6/1/21		JSP		WJM	
00C					6/1/21		JSP		WJM	
REV					DATE		BY		DESCRIPTION	
00C					12-15-23		SAT		DWR	
00B					4/18/22		JSP		DWR	
00A					6/1/21		JSP		WJM	
00C					6/1/21		JSP		WJM	
REV					DATE		BY		DESCRIPTION	
00C					12-15-23		SAT		DWR	
00B					4/18/22		JSP		DWR	
00A					6/1/21		JSP		WJM	
00C					6/1/21		JSP		WJM	
REV					DATE		BY		DESCRIPTION	
00C					12-15-23		SAT		DWR	
00B					4/18/22		JSP		DWR	
00A					6/1/21		JSP		WJM	
00C					6/1/21		JSP		WJM	
REV					DATE		BY		DESCRIPTION	
00C					12-15-23		SAT		DWR	
00B					4/18/22		JSP		DWR	
00A					6/1/21		JSP		WJM	
00C					6/1/21		JSP		WJM	
REV					DATE		BY		DESCRIPTION	
00C					12-15-23		SAT		DWR	
00B					4/18/22		JSP		DWR	
00A					6/1/21		JSP		WJM	
00C					6/1/21		JSP		WJM	
REV					DATE		BY		DESCRIPTION	
00C					12-15-23		SAT		DWR	
00B					4/18/22		JSP		DWR	
00A					6/1/21		JSP		WJM	
00C					6/1/21		JSP		WJM	
REV					DATE		BY		DESCRIPTION	
00C					12-15-23		SAT		DWR	
00B					4/18/22		JSP		DWR	
00A					6/1/21		JSP		WJM	
00C					6/1/21		JSP		WJM	
REV					DATE		BY		DESCRIPTION	
00C					12-15-23		SAT		DWR	
00B					4/18/22		JSP		DWR	
00A					6/1/21		JSP		WJM	
00C					6/1/21		JSP		WJM	
REV					DATE		BY		DESCRIPTION	
00C					12-15-23		SAT		DWR	
00B					4/18/22		JSP		DWR	
00A					6/1/21		JSP		WJM	
00C					6/1/21		JSP		WJM	
REV					DATE		BY		DESCRIPTION	
00C					12-15-23		SAT		DWR	
00B					4/18/22		JSP		DWR	
00A					6/1/21		JSP		WJM	
00C					6/1/21		JSP		WJM	
REV					DATE		BY		DESCRIPTION	
00C					12-15-23		SAT		DWR	
00B					4/18/22		JSP		DWR	
00A					6/1/21		JSP		WJM	
00C					6/1/21		JSP		WJM	
REV					DATE		BY		DESCRIPTION	
00C					1					