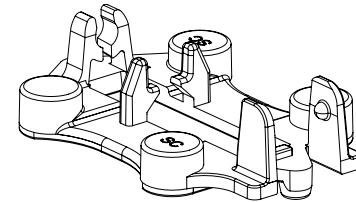
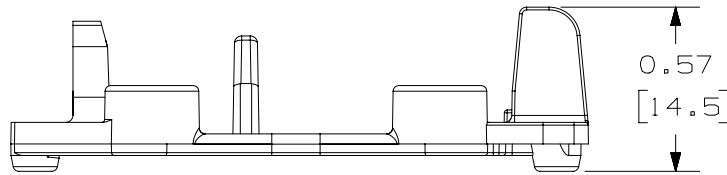
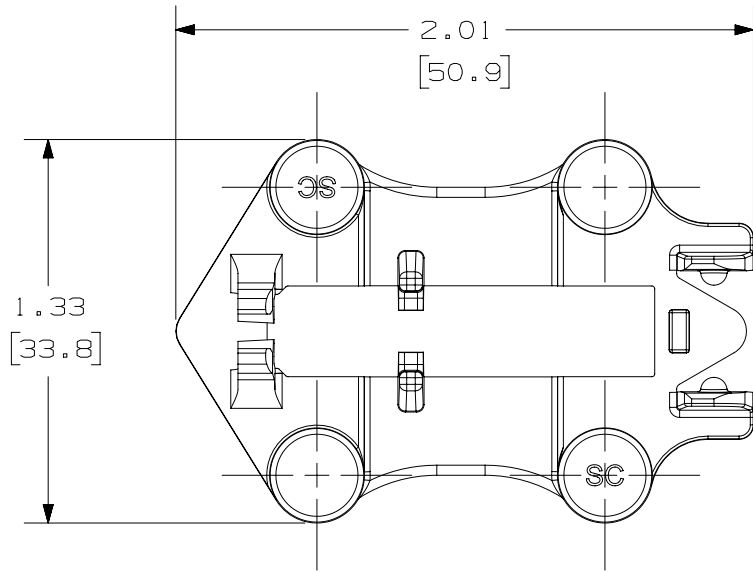


THIS COPY IS PROVIDED ON A RESTRICTED BASIS AND IS NOT TO BE USED IN ANY WAY DETRIMENTAL TO THE INTERESTS OF PANDUIT CORP.



ACTUAL SIZE

NOTES:

1. SEE THE PANDUIT WEBSITE FOR ADDITIONAL PART NUMBER SUFFIXES TO INDICATE PACKAGE QUANTITY.
2. SEE WEBSITE FOR COMPLETE LIST OF PARTS APPLICABLE FOR USE WITH THIS PART.
3. DIMENSIONS IN [] ARE IN METRIC.
4. KIT CONTAINS:
 - 2- SC CRADLE CONNECTORS (GREY)
 - 1- STRIPPING TEMPLATE
 - 1- SC OPTICAM INSTRUCTION

PART NUMBER		FSCC2	
TITLE			
OPTICAM SC TOOL CRADLE KIT			
CUSTOMER DRAWING			
ITEM REVISION NAME		00045SCH/00	
DATASET FILE NAME		00045SCH_DC/00A	
UNLESS OTHERWISE SPECIFIED, DIMENSIONAL TOLERANCES ARE: IN [mm]		MATERIAL:	
.x ± .1 [.254]		.xxx ± .005 [.127]	
.xx ± .01 [.25]		ANGLES ± 5 °	
DRAWN BY		SCALE	
BJN		NONE	
DATE		SHT 1 OF 1	
12-23-16		A	
CHK		DRAWING NUMBER:	
WFMI		00045SCH-DC	
APR		THIRD ANGLE PROJECTION	
DESCRIPTION		00045SCH-DC	
ECN		SIZE	
		A	

REV	DATE	BY	CHK	APR	DESCRIPTION	ECN
R	12-23-16	BJN	WFMI	JGSW	RELEASED TO PRODUCTION	00045SCH-DC

D101000DA/14