

## Cable Cleat Products for Short Circuit Protection

The CCSS series represents Panduit's cable cleat offering for robust cable management and short circuit protection, tested up to 172kA peak. Available in a variety of sizes for trefoil and quadrafoil cable layouts, these solutions ensure cables remain contained in the event of a short circuit fault, minimizing disruption and damage to personnel and property. Panduit's cable cleat products for short circuit protection are designed to perform in a wide range of harsh environments, including industries such as Data Centers, Oil and Gas, Power Generation, Mining, Rail, Tunnel, and Shipbuilding.

### Features

- Easy Installation (Intuitive design for single tool tightening)
- Removeable Spacer (Range taking up to 7mm)
- Bracket Slot (Providing options for installer)
- 316L Stainless Steel (Suitable for harsh environments)
- IEC 61914 Tested (Independent 3rd Party Lab)



### Technical Specifications and Testing Results

<b>Design Specification</b>	IEC 61914 Tested
<b>Classification</b>	Composite SDSS - Standard Duty Stainless Steel, IEC 61914 Tested clause 6.1.3
<b>Temperature for permanent application</b>	-40°C to +60°C, IEC 61914 Tested clause 6.2
<b>Needle Flame Test</b>	PASS, IEC 61914 Tested clause 10.1
<b>Lateral Load Test</b>	PASS, IEC 61914 Tested clause 9.3
<b>Axial Load Test</b>	PASS, IEC 61914 Tested clause 9.4
<b>Impact Resistance</b>	PASS - Very Heavy, IEC 61914 Tested clause 6.3, 6.3.5, 9.2
<b>Material</b>	316/316L Stainless Steel, Spacer is Low Smoke Halogen Free (LSHF) Polymer

### Short Circuit Testing Summary<sup>1</sup>

#### Trefoil Formation

38mm Cable Diameter		35mm Cable Diameter	38mm Cable Diameter
One Short Circuit Event (Clause 6.4.4) 300mm spacing	Two Short Circuit Events (Clause 6.4.5) 300mm spacing	One Short Circuit Event (Clause 6.4.4) 600mm spacing	Two Short Circuit Events (Clause 6.4.5) 600mm spacing
0.1 sec	0.1 sec	0.1 sec	0.1 sec
172 kA Peak	167 kA Peak	143 kA Peak	125 kA Peak
8926 lbs. force (39.7 kN)	8415 lbs. force (37.4 kN)	13398 lbs. force (59.5 kN)	9429 lbs. force (41.9 kN)

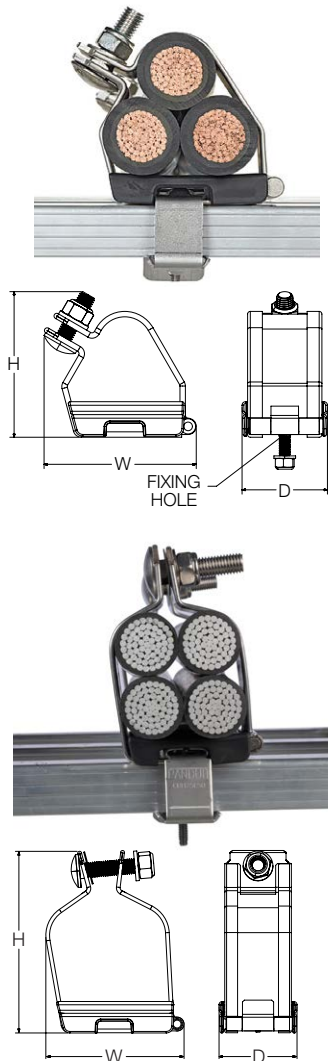
#### Quad Formation

39mm Cable Diameter			
One Short Circuit Event (Clause 6.4.4) 300mm spacing	Two Short Circuit Events (Clause 6.4.5) 300mm spacing	One Short Circuit Event (Clause 6.4.4) 600mm spacing	Two Short Circuit Events (Clause 6.4.5) 600mm spacing
0.1 sec	0.1 sec	0.1 sec	0.1 sec
169 kA Peak	169 kA Peak	127 kA Peak	127 kA Peak
8397 lbs. force (37.3 kN)	8397 lbs. force (37.3 kN)	9484 lbs. force (42.2 kN)	9484 lbs. force (42.2 kN)

<sup>1</sup>Test compliance to IEC 61914 Tested utilizing KEMA facility; Independent, ISO 17025 accredited testing, inspection, and certification services (IEEE, IEC, UL, and ANSI) for electric power equipment.

# Cable Cleat Products for Short Circuit Protection

## Stainless Steel Cable Cleats

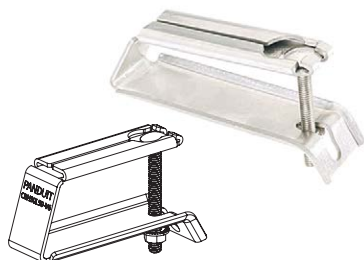


TREFOIL Layout	Cable Range (mm)		Dimensions (mm)				
Part Number	Min. Diameter	Max. Diameter	H	W	D	Mounting Holes	Weight (g)
CCSSTR2025-X	20	25	87	86	63	1 x M8	417
CCSSTR2328-X	23	28	91	90			439
CCSSTR2632-X	26	32	95	97			480
CCSSTR3036-X	30	36	100	105			518
CCSSTR3440-X	34	40	108	111			547
CCSSTR3844-X	38	44	108	119			581
CCSSTR4248-X	42	48	112	126			613
CCSSTR4652-X	46	52	117	133			647
CCSSTR5057-X	50	57	123	143			686
CCSSTR5461-X	54	61	130	150			720
CCSSTR5865-X	58	65	138	157			754
CCSSTR6269-X	62	69	145	165			782

QUAD Layout	Cable Range (mm)		Dimensions (mm)				
Part Number	Min. Diameter	Max. Diameter	H	W	D	Mounting Holes	Weight (g)
CCSSQD2226-X	22	26	103	70	63	1 x M8	404
CCSSQD2529-X	25	29	112	77			426
CCSSQD2834-X	28	34	122	88			477
CCSSQD3339-X	33	39	135	101			512
CCSSQD3844-X	38	44	147	112			566

NOTE: Alternative fault levels, fixings, and custom cleat solutions can be offered. Please contact our Sales Team for further information.

## Stainless Steel Cable Cleat Brackets



Part Number	Rung Height		Rung Width		Weight	
	In.	mm	In.	mm	lb.	g
CBH15L50-V6	0.00 - 0.59	0 - 15	0.00 - 1.97	0 - 50	0.32	145
CBH20L50-V6	0.59 - 0.79	15 - 20				
CBH25L50-V6	0.79 - 0.98	20 - 25			0.33	151
CBH30L50-V6	0.98 - 1.18	25 - 30				

NOTE: Alternative sizes available upon request. Please contact our sales team for further information.

### WORLDWIDE SUBSIDIARIES AND SALES OFFICES

PANDUIT CANADA  
Markham, Ontario  
cs-cdn@panduit.com  
Phone: 800.777.3300

PANDUIT EUROPE LTD.  
London, UK  
cs-emea@panduit.com  
Phone: 44.20.8601.7200

PANDUIT SINGAPORE PTE. LTD.  
Republic of Singapore  
cs-ap@panduit.com  
Phone: 65.6305.7575

PANDUIT JAPAN  
Tokyo, Japan  
cs-japan@panduit.com  
Phone: 81.3.6863.6000

PANDUIT LATIN AMERICA  
Guadalajara, Mexico  
cs-la@panduit.com  
Phone: 52.33.3777.6000

PANDUIT AUSTRALIA PTY. LTD.  
Victoria, Australia  
cs-aus@panduit.com  
Phone: 61.3.9794.9020

For a copy of Panduit product warranties, log on to [www.panduit.com/warranty](http://www.panduit.com/warranty)

For more information

Visit us at [www.panduit.com](http://www.panduit.com)

Contact Customer Service by email: [cs@panduit.com](mailto:cs@panduit.com)  
or by phone: 800.777.3300

**PANDUIT**®

©2022 Panduit Corp.  
ALL RIGHTS RESERVED.  
Printed in the U.S.A.  
4/2022