

2

1

CONNECTOR OPTIONS

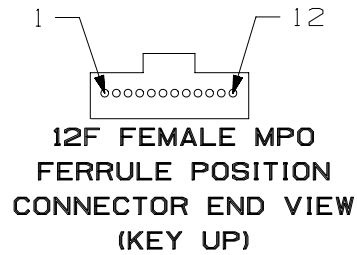
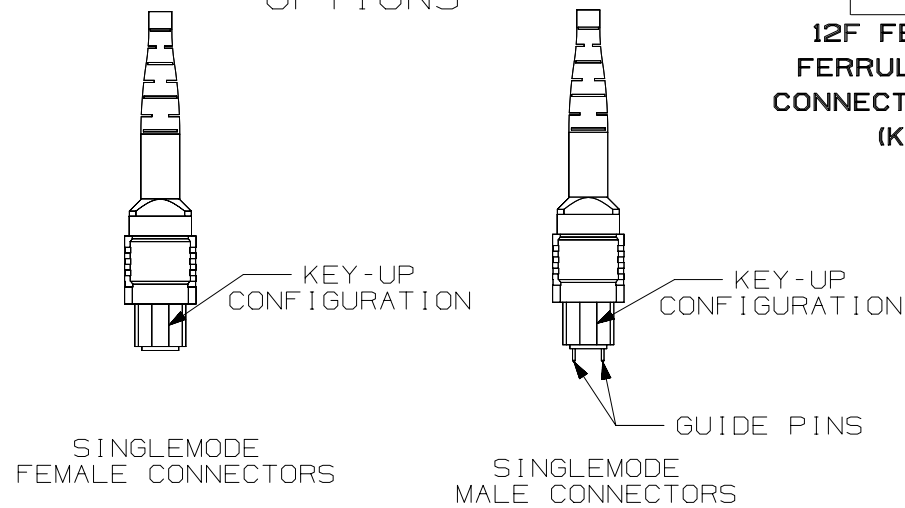
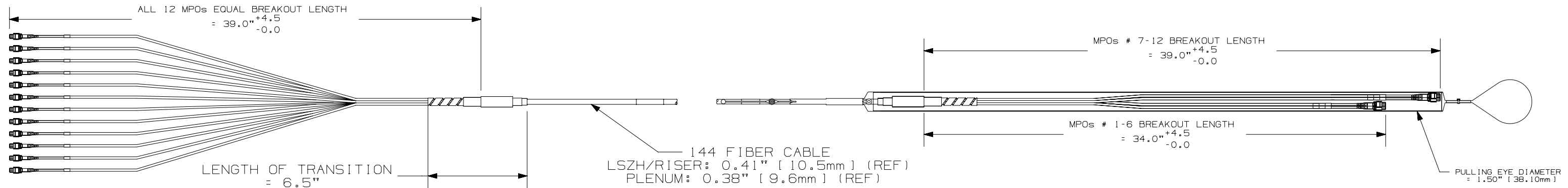


TABLE 1: 144-FIBER TRUNK PART NUMBER MATRIX														
1	2	3	4	5	6	7	8	9	10	11	12	13	14	15
F	B	A	N	M								*	*	*
LENGTH: 005 TO 999 M. 016 TO 999 FT.														
UNIT OF MEASURE: F = FEET (PLENUM ASSEMBLIES) M = METERS (LSZH ASSEMBLIES)														
PULLING EYE: A = PULLING EYE, END A N = NO PULLING EYE														
PERFORMANCE/POLARITY: A = POLARITY A, STANDARD IL B = POLARITY B, STANDARD IL C = POLARITY C, STANDARD IL														
CONNECTOR VARIANT END A: D = 39.0" EQUAL BREAKOUT E = STAGGERED BREAKOUT AS SHOWN (34.0", 39.0") N = NO VARIANT (PIGTAIL)														
CONNECTORS END B: 5 = 12 FIBER MPO FEMALE 6 = 12 FIBER MPO MALE 7 = 12 FIBER PANMPO FEMALE 8 = 12 FIBER PANMPO MALE N = NO CONNECTOR (PIGTAIL)														
CONNECTOR VARIANT END A: D = 39.0" EQUAL BREAKOUT E = STAGGERED BREAKOUT AS SHOWN (34", 39.0")														
CONNECTORS END A: 5 = 12 FIBER MPO FEMALE 6 = 12 FIBER MPO MALE 7 = 12 FIBER PANMPO FEMALE 8 = 12 FIBER PANMPO MALE														
FLAME RATING: M = LSZH EUROCLASS Cca/RISER OFNR														
CABLE TYPE: N = INDOOR/OUTDOOR TRUNK														
FIBER COUNT: A = 144 FIBERS														
FIBER TYPE: B = OS1/2 9/125um SINGLEMODE (CABLE SHOWN IS BEND-INSENSITIVE G.657.A2)														
PRODUCT DESIGNATION: F=FIBER														

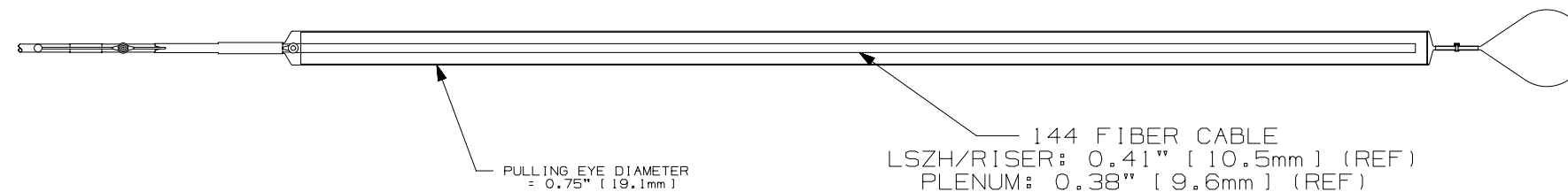
NOTES:

- VISIT OUR ON-LINE CATALOG AT WWW.PANDUIT.COM FOR A LIST OF CURRENT PARTS APPLICABLE FOR USE WITH THIS PRODUCT.
- DIMENSIONS IN [] ARE METRIC.
- ALL MATERIALS AND COMPONENTS USED MEET THE MATERIAL RESTRICTIONS OF RoHS (EUROPEAN DIRECTIVE 2011/65/EU ON THE RESTRICTION OF HAZARDOUS SUBSTANCES) AS PROPOSED BY THE RoHS TECHNICAL ADAPTATION COMMITTEE.
- CONNECTORS MEET THE REQUIREMENTS OF TIA/EIA 568-D.
- LSZH-RATED CABLE ASSEMBLIES MEET IEC-60332 REQUIREMENTS.
- PERFORMANCE LABELS FOR EACH CHANNEL ACCOMPANIES EACH CABLE ASSEMBLY.
- STANDARD BREAKOUT LENGTH SHOWN. CUSTOM BREAKOUT LENGTHS AVAILABLE UPON REQUEST.
- 144 FIBER CABLE IS BE THE FOLLOWING FLAME RATING: (OFNR AND EUROCLASS Cca)
- THERE ARE 2 BREAKOUT LENGTHS FOR THE STAGGERED OPTION, WITH 6 MPOs AT EACH LENGTH.
- FOR PIGTAIL ASSEMBLIES (CONNECTORS TO BLUNT END)
 - THE PULLING EYE ALWAYS WILL GO ON THE BLUNT END
 - THE BLUNT END WILL BE FIRST OFF THE REEL

OPTION 1. PRE-TERMINATED ASSEMBLY (PULLING EYE TO NON PULLING EYE ASSEMBLY SHOWN)



OPTION 2. PIGTAIL ASSEMBLY (CONNECTORS TO BLUNT END WITH PULLING EYE - BLUNT END SHOWN BELOW)



PART NUMBER		SEE TABLE 1	
TITLE			
144 FIBER ROLLABLE RIBBON CABLE ASSEMBLIES: OPTION 1. (12) 12F MPOs TO (12) 12F MPOs (PRE-TERM) OPTION 2. (12) 12F MPOs TO BLUNT END (PIGTAIL) CUSTOMER DRAWING			
ITEM REVISION NAME		00601EAB/00	
DATASET FILE NAME		00601EAB_DC/00A	
MATERIAL		N/A	
DRAWN BY		ACAM	
DATE		07/11/22	
CHK		FJDU	
SCALE		NONE	
DRAWING NUMBER		00601EAB-DC	
SHEET 1 OF 1		B	

REV	DATE	BY	CHK	APR	DESCRIPTION	ECN
00A	07-18-22	SAT/ACAM	FJDU	EJH	INITIAL RELEASE	00601EAB-DC

2

1

B-SIZE CUSTOMER